

REV.	DESCRIPTION	DRAWN	CHECKED	APPROVED
A	NEW RELEASE	YCH 03/15/08'	~	

NOTES:

- MATERIAL
 - INSULATOR:THERMOPLASTIC(UL 94V-0).
 - CONTACT MATERIAL: COPPER ALLOY.
- SPECIFICATION
 - CURRENT RATING:1.5 A.
 - INSULATION RESISTANCE:1000MΩ Min.
 - DIELECTRIC WITHSTANDING:600VAC.
 - CONTACT RESISTANCE:20mΩ Max.
 - TEMPERATURE RANGE:-40°C TO +105°C.
- PRODUCT NUMBER CODE:
DS1022-07 - X X X X

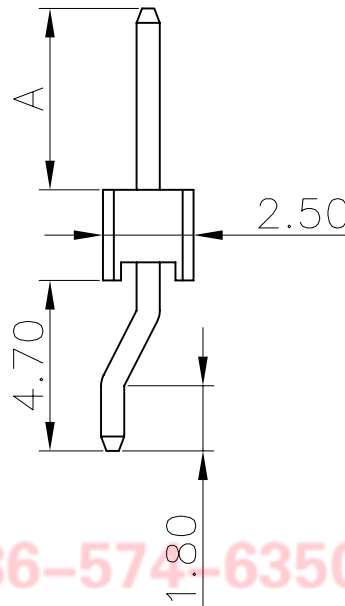
Dim A type

- | | |
|-----------|-----------|
| 1: 3.20 | 11: _____ |
| 2: 6.00 | 12: _____ |
| 3: _____ | 13: _____ |
| 4: _____ | 14: _____ |
| 5: _____ | 15: _____ |
| 6: _____ | 16: _____ |
| 7: _____ | 17: _____ |
| 8: _____ | 18: _____ |
| 9: _____ | 19: _____ |
| 10: _____ | 20: _____ |

CONTACTS TYPE
8: Full gold flash
6: Full Tin

MOUNTING TYPE
S:SMT TYPE

No.OF CONTACTS
1*2-1*40



N=NUMBER OF CONTACT

$N * 2.54$

$(N - 1) * 2.54$

2.54

2.50

pin 0.64*0.64

$(N - 1) * 2.54$

2.54

3.00

1.27

RECOMMEND PCB LAYOUT
(TOLERANCE=±0.05)

GENERAL TOLERANCE	ANGLE TOLERANCE	PROJECTION	TITLE
X. ±0.60	X. ±5°	mm	PIN HEADER PITCH 2.54mm
.X ±0.38	.X ±3°	A4	SINGLE ROW SMT TYPE W/O POST
.XX ±0.25	.XX ±2°	SHEET SIZE	SERIES DS1022-07 SERIES
DRAWING TYPE	CUSTOMER	晨翔电子有限公司 CONNFLY CONNFLY ELECTRONIC CO. LTD	
SCALE	1:1 SHEET 1 OF 1		
DRAWING NO.	C-DS1022-07-XXXX		

Tel:86-574-63508787
 Fax:86-574-63510817
 E-mail:sale@zhenqin.com.cn
 Http://www.connfly.com