

REV.	DESCRIPTION	DRAWN	CHECKED	APPROVED
A	NEW RELEASE	YCH 03/11/11'	~	

NOTES:

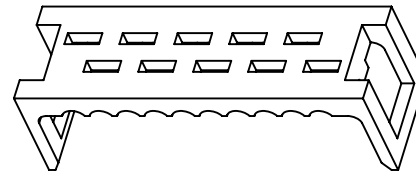
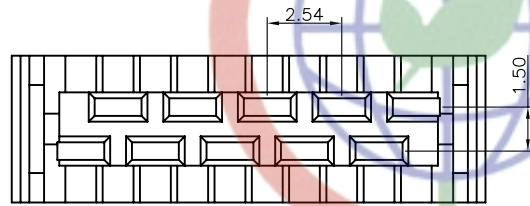
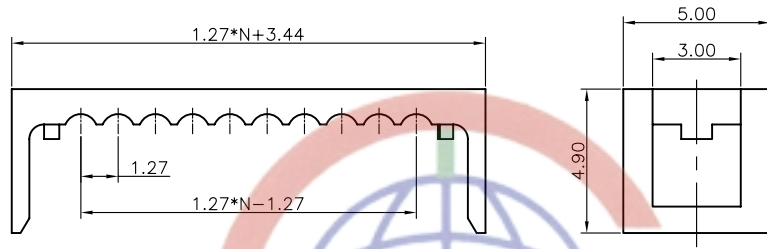
- MATERIAL
 - INSULATOR:THERMOPLASTIC(UL 94V-0).
 - CONTACT: COPPER ALLOY.
- SPECIFICATION
 - TEMPERATURE RANGE:-40°C~+105°C.
 - CONTACT RESISTANCE:30mΩ max.
 - INSULATION RESISTANCE:1000MΩ min.
 - DIELECTRIC WITHSTANDING VOLTAGE:AC 500V PER MINUTE.
- PRODUCT NUMBER CODE:
DS1015-02- X X X

CONTACT PLATING
 2: NICKEL+GOLD FLASH
 6: FULL TIN
 8: FULL GOLD FLASH

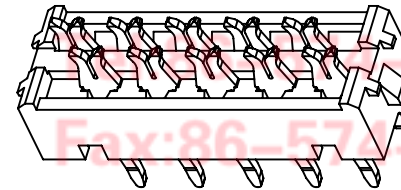
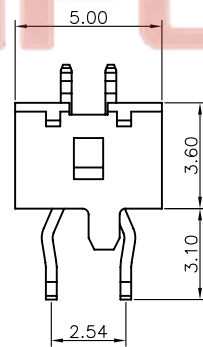
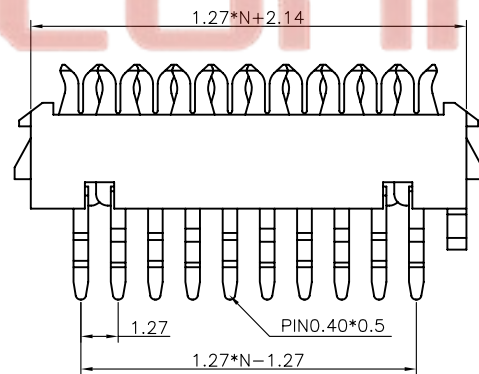
HOUSING COLOR
 R:RED

No. OF CONTACTS
 04 06 08 10
 12 14 16 18
 20 24

COVER



HOUSING



GENERAL TOLERANCE		ANGLE TOLERANCE		PROJECTION	TITLE
X.	±0.60	X.	±5°	mm	MICRO MATCH
.X	±0.38	.X	±3°		PADDLE BOARD CONNECTOR
.XX	±0.25	.XX	±2°		
DRAWING TYPE		CUSTOMER		SHEET SIZE	SERIES
SCALE		1:1		A4	DS1015-02 SERIES
DRAWING NO.		C-DS1015-02-XXX		1 OF 1	

CONNFLY 晨翔电子有限公司
CONNFLY CONNFLY ELECTRONIC CO. LTD