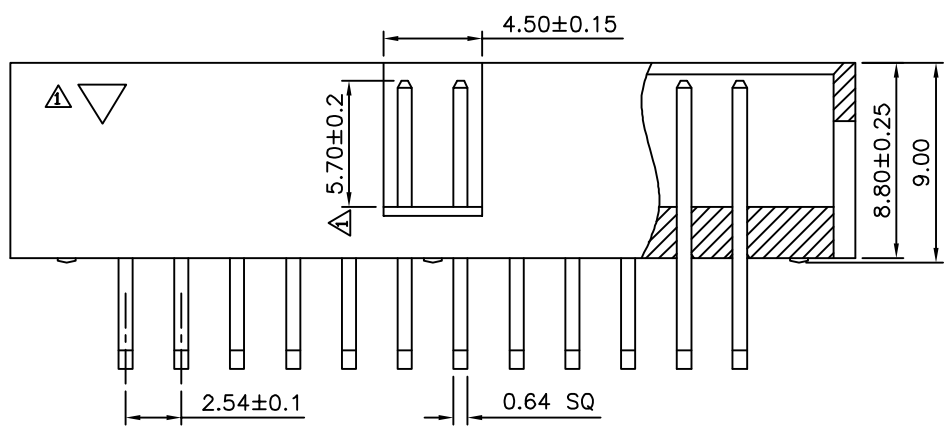
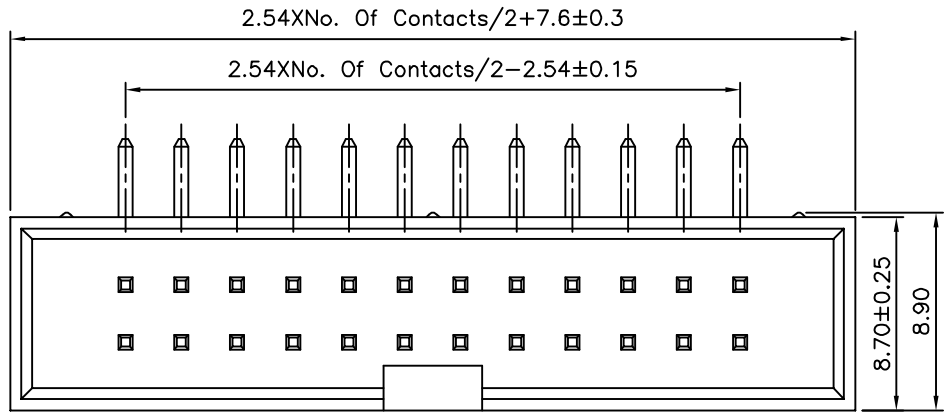
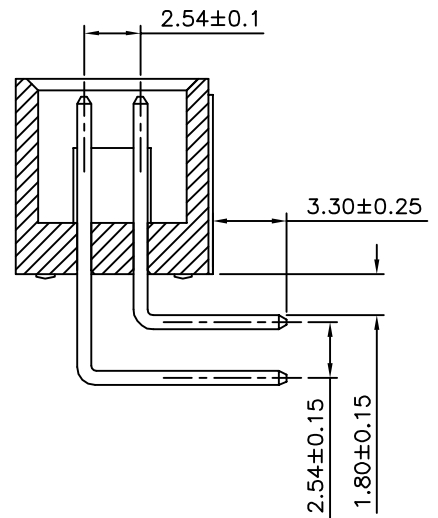


Recommended P.C.Board Layout
PCB Tolerance:±0.05(Top View)

△ SPECIFICATION
 Current Rating:3 Amps
 Withstand Voltage:1000V AC
 Contact Resistance:20 Milliohms Max.
 Insulation Resistance:1000 Megaohms Min.
 Operation Temperature:-40°C~+105°C
 Insulator:PBT(UL94V-0),Black
 Contact:Brass,Gold Flash Over Nickel
 RoHS Compliant



△ B R XX - H
 (1) (2) (3) (4)
 (1) B:2.54 Box Header
 (2) R:DIP Right Angle
 (3) XX:No. Of Position
 (4) H:RoHS Compliant



AUK A MEMBER OF AUK GROUP
太聯事業股份有限公司
AUK CONTRACTORS CO., LTD.

CATEGORY		APPROVED BY	
PART No. BRXX-H		EMILY	
DRAWING No. BRXX-H		CHECKED BY HZF	
SCALE NONE		DRAWING BY SONG	
REV.	A1	UNIT	mm

UNLESS OTHERWISE SPECIFIED TOLERANCES ARE			
△ X	±0.25	X*	±2°
.X	±0.20	.X*	±1.5°
.XX	±0.15	.XX*	±1°
.XXX	±0.10	.XXX*	±0.5°
△ A1	Modify Data	HZF	08/08/2014
△ A0	NEW RELEASE	HZF	12/18/2010
NO.REV.	REVISIONS	CHK	DATE