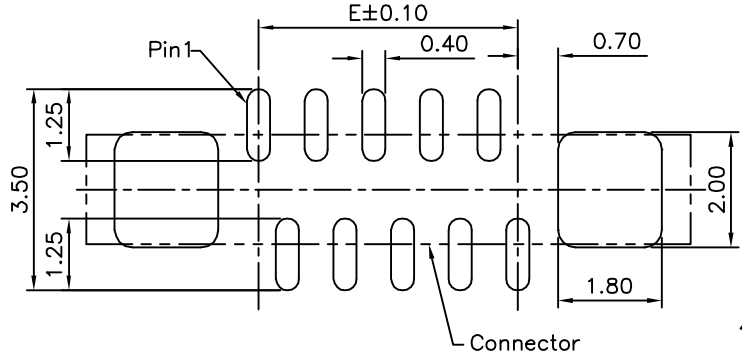
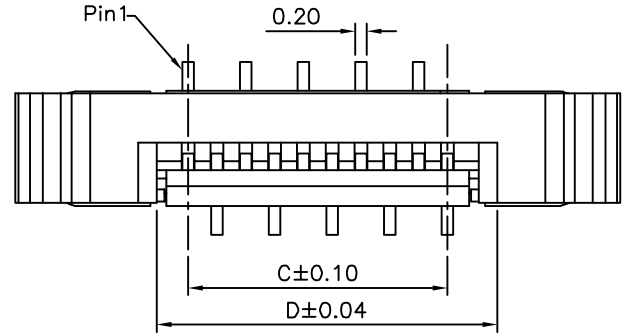
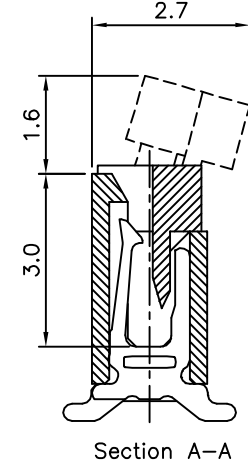
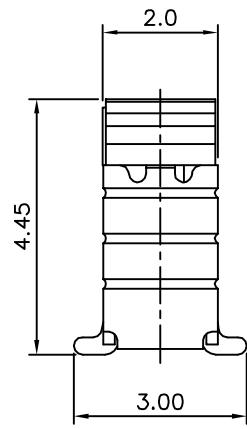
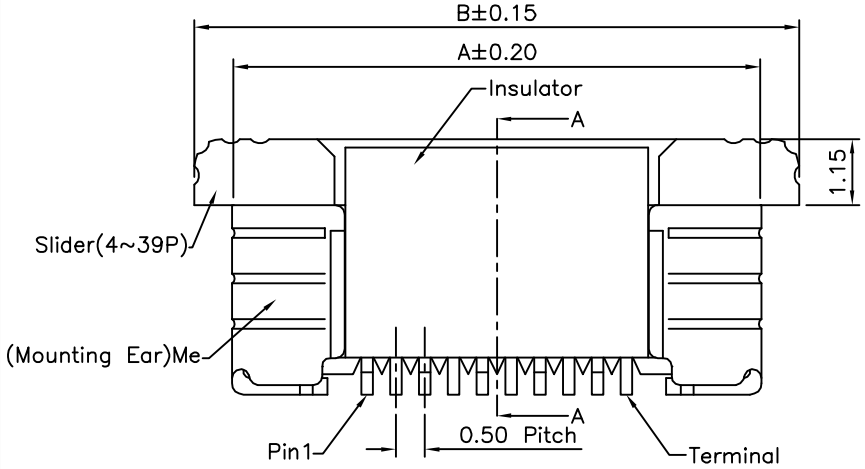


△ SPECIFICATION

- △△ 1.General Characteristics:**
0.5mm FPC XFP SMT 180° ZIF Single
Contact Reverse Layout With Cap Tape&Reel
- 2.Material&Finish:**
Insulator:PA9T(UL94V-0),Ivory
Slider:PPS(UL94V-0),Black
Terminal:Phosphor Bronze,Tin Plated
Over Nickel
Me:Brass,Tin Plated Over Nickel
- 3.Electrical Characteristics:**
Operation Voltage:50V Max.
Current Rating:0.5 Amp Max.
Contact Resistance:20 Milliohms Max.
Insulation Resistance:50 Megaohms Min.
Dielectric Withstanding Voltage:250V AC RMS
- 4.Environmental Characteristics:**
Operation Temperature:-20°C~+85°C
Processing Temperature:220°C~230°C For 30s
- 5.Other**
Accommodated FFC/FPC Thickness:0.30±0.03mm
- 6.RoHS Compliant**



Recommended P.C.B. Layout

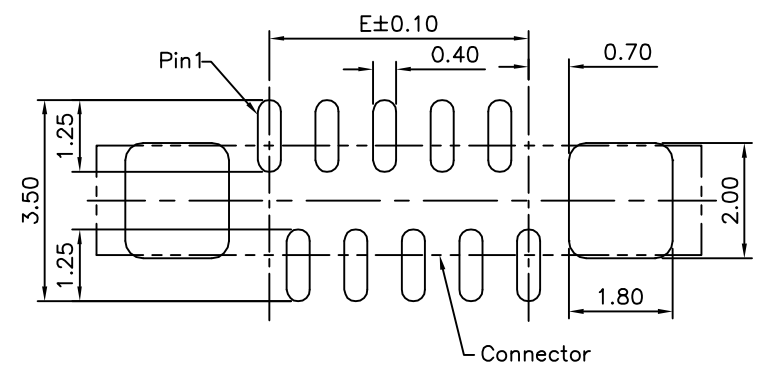
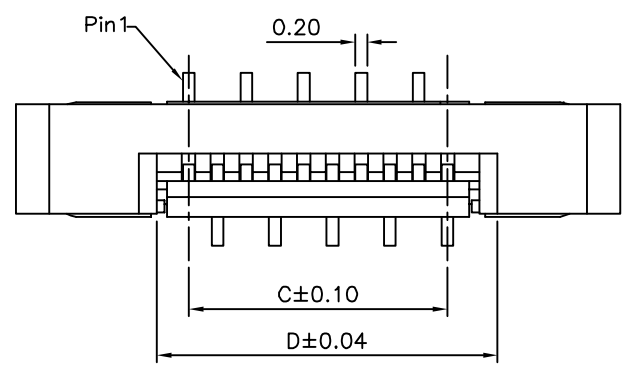


- △△△ FPV XX V ZA R C - RXX - H**
- (1) (2) (3) (4) (5) (6) (7) (8)
- (1) FPV:0.5mm FPC/FFC
 - (2) XX:No. Of Position
 - (3) V:SMT Straight
 - (4) ZA:ZIF Single Contact
 - (5) R:Reverse Layout
 - (6) C:With Cap
 - (7) RXX:Tape & Reel
 - (8) H:RoHS Compliant

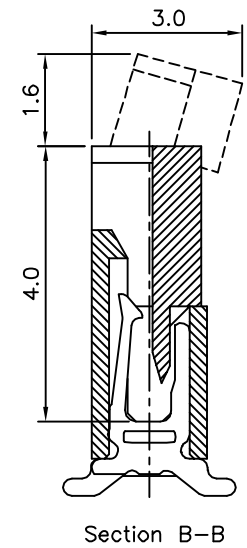
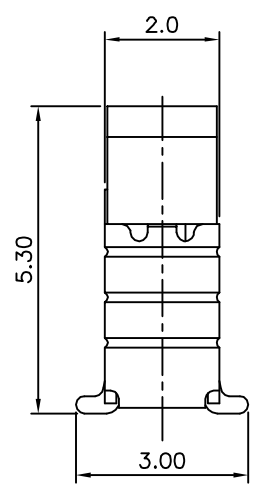
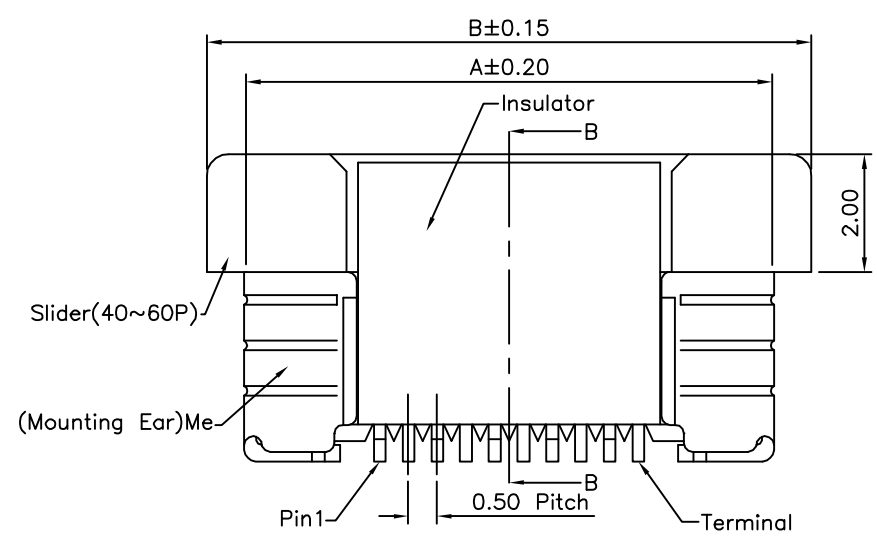
AUK A MEMBER OF AUK GROUP
太聯事業股份有限公司
AUK CONTRACTORS CO., LTD.

CATEGORY		APPROVED BY		UNLESS OTHERWISE SPECIFIED TOLERANCES ARE .X ±0.35 .XX ±0.20 ANG.
PART No. △ FPVXXVZARC-RXX-H		MEI		
DRAWING No. △ FPVXXVZARC-RXX-H		HZF		
SCALE NONE		SONG		
REV.	A3	UNIT mm		

NO.	REV.	REVISIONS	CHK	DATE
△ A3		Modify P/N:FPVXXVZARC-R1K-H --> FPVXXVZARC-RXX-H	HZF	10/08/2013
△ A2		Modify Data	HZF	11/11/2011
△ A1		Modify Data	HZF	01/16/2010
△ A0		NEW RELEASE	HZF	06/30/2009



Recommended P.C.B. Layout

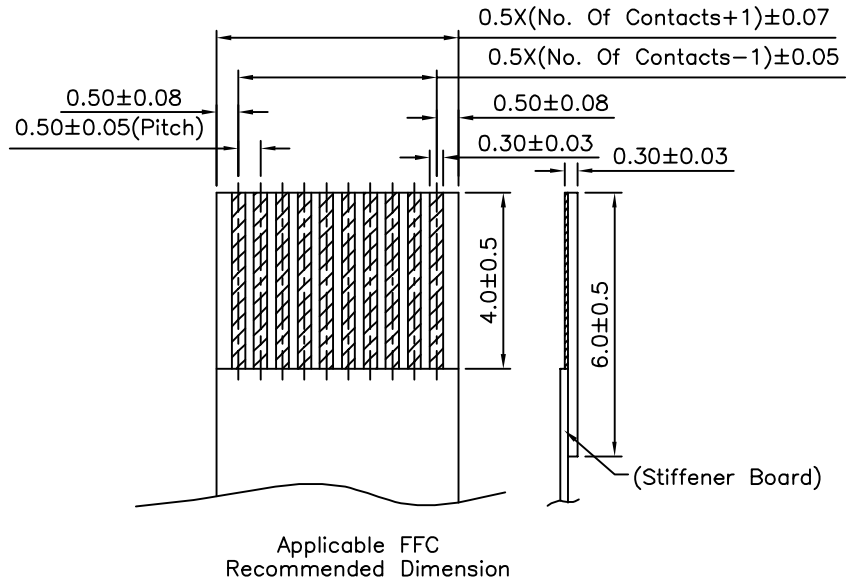
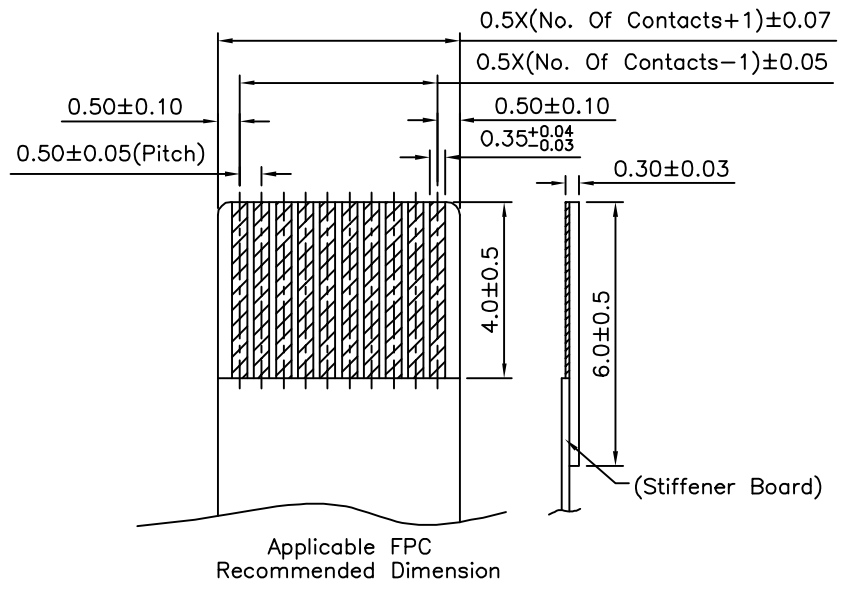


Section B-B

AUK A MEMBER OF AUK GROUP
太聯事業股份有限公司
AUK CONTRACTORS CO., LTD.

CATEGORY		APPROVED BY		UNLESS OTHERWISE SPECIFIED TOLERANCES ARE .X ±0.35 .XX ±0.20 ANG.
PART No. FPVXXVZARC-RXX-H		MEI		
DRAWING No. FPVXXVZARC-RXX-H		CHECKED BY HZF		
SCALE NONE		DRAWING BY SONG		
REV.	A3	UNIT mm		

NO.	REV.	REVISIONS	CHK	DATE
△A3		Modify P/N:FPVXXVZARC-R1K-H --> FPVXXVZARC-RXX-H	HZF	10/08/2013
△A2		Modify Data	HZF	11/11/2011
△A1		Modify Data	HZF	01/16/2010
△A0		NEW RELEASE	HZF	06/30/2009



Pin	A	B	C	D	E
4	6.20	7.50	1.50	2.62	1.50
5	6.70	8.00	2.00	3.12	2.00
6	7.20	8.50	2.50	3.62	2.50
7	7.70	9.00	3.00	4.12	3.00
8	8.20	9.50	3.50	4.62	3.50
9	8.70	10.00	4.00	5.12	4.00
10	9.20	10.50	4.50	5.62	4.50
11	9.70	11.00	5.00	6.12	5.00
12	10.20	11.50	5.50	6.62	5.50
13	10.70	12.00	6.00	7.12	6.00
14	11.20	12.50	6.50	7.62	6.50
15	11.70	13.00	7.00	8.12	7.00
16	12.20	13.50	7.50	8.62	7.50
17	12.70	14.00	8.00	9.12	8.00
18	13.20	14.50	8.50	9.62	8.50
19	13.70	15.00	9.00	10.12	9.00
20	14.20	15.50	9.50	10.62	9.50
21	14.70	16.00	10.00	11.12	10.00
22	15.20	16.50	10.50	11.62	10.50
23	15.70	17.00	11.00	12.12	11.00
24	16.20	17.50	11.50	12.62	11.50
25	16.70	18.00	12.00	13.12	12.00
26	17.20	18.50	12.50	13.62	12.50
27	17.70	19.00	13.00	14.12	13.00
28	18.20	19.50	13.50	14.62	13.50
29	18.70	20.00	14.00	15.12	14.00
30	19.20	20.50	14.50	15.62	14.50
31	19.70	21.00	15.00	16.12	15.00
32	20.20	21.50	15.50	16.62	15.50
33	20.70	22.00	16.00	17.12	16.00
34	21.20	22.50	16.50	17.62	16.50
35	21.70	23.00	17.00	18.12	17.00
36	22.20	23.50	17.50	18.62	17.50
37	22.70	24.00	18.00	19.12	18.00
38	23.20	24.50	18.50	19.62	18.50
39	23.70	25.00	19.00	20.12	19.00
40	24.20	25.50	19.50	20.62	19.50
41	24.70	26.00	20.00	21.12	20.00
42	25.20	26.50	20.50	21.62	20.50
43	25.70	27.00	21.00	22.12	21.00
44	26.20	27.50	21.50	22.62	21.50
45	26.70	28.00	22.00	23.12	22.00
46	27.20	28.50	22.50	23.62	22.50
47	27.70	29.00	23.00	24.12	23.00
48	28.20	29.50	23.50	24.62	23.50
49	28.70	30.00	24.00	25.12	24.00
50	29.20	30.50	24.50	25.62	24.50
51	29.70	31.00	25.00	26.12	25.00
52	30.20	31.50	25.50	26.62	25.50
53	30.70	32.00	26.00	27.12	26.00
54	31.20	32.50	26.50	27.62	26.50
55	31.70	33.00	27.00	28.12	27.00
56	32.20	33.50	27.50	28.62	27.50
57	32.70	34.00	28.00	29.12	28.00
58	33.20	34.50	28.50	29.62	28.50
59	33.70	35.00	29.00	30.12	29.00
60	34.20	35.50	29.50	30.62	29.50



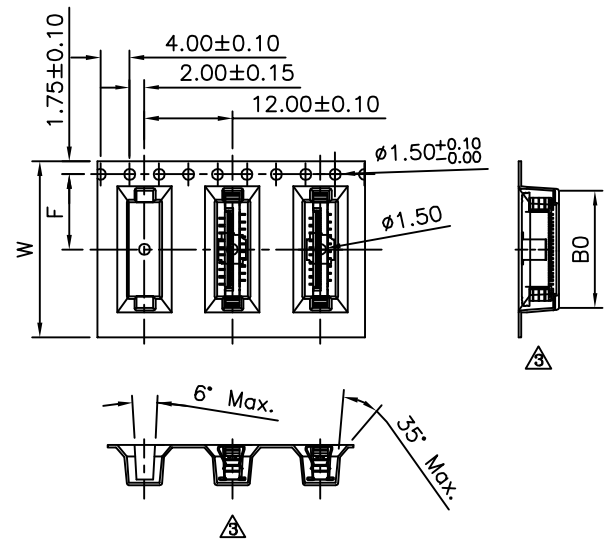
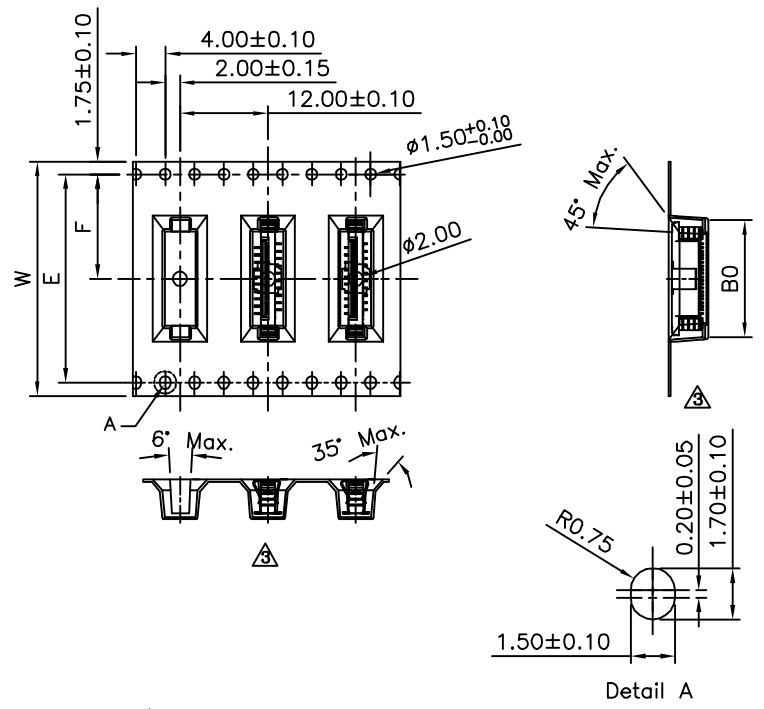
A MEMBER OF AUK GROUP
太聯事業股份有限公司
AUK CONTRACTORS CO., LTD.

CATEGORY		APPROVED BY	
PART No. Δ FPVXXVZARC-RXX-H		MEI	
DRAWING No. FPVXXVZARC-RXX-H		CHECKED BY	
SCALE NONE		HZF	
REV.	A3	DRAWING BY	
		SONG	

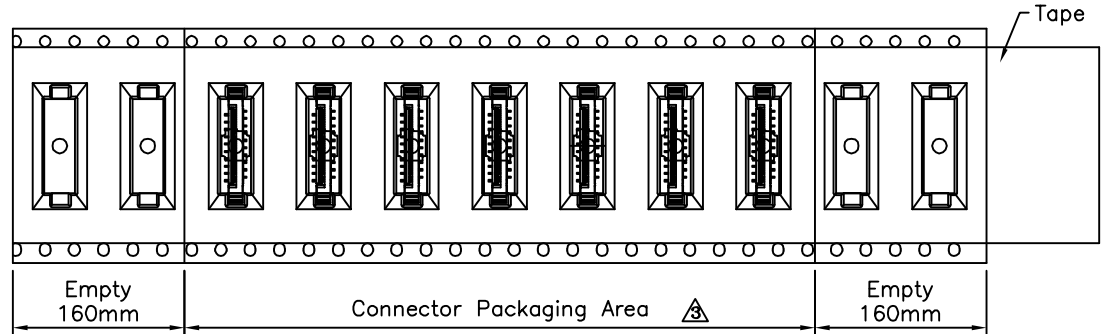
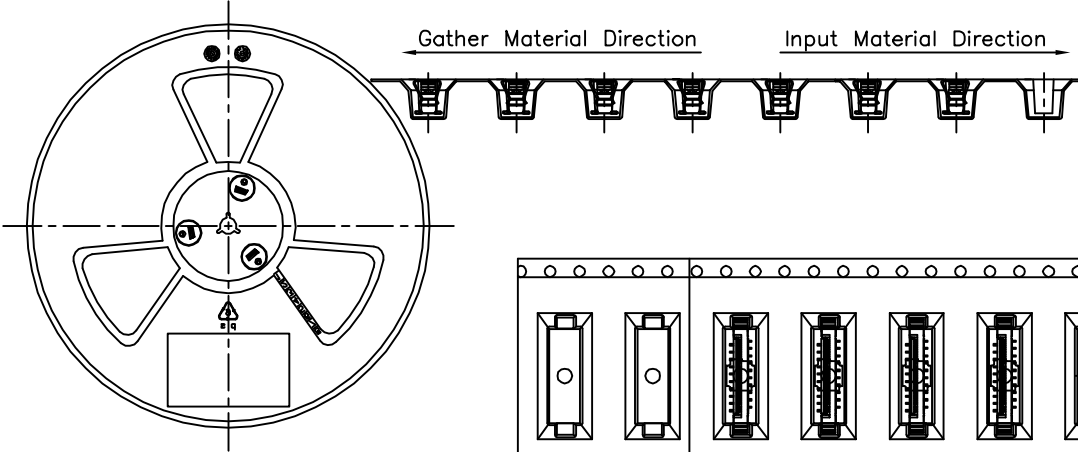
UNLESS OTHERWISE SPECIFIED TOLERANCES ARE
 .X \pm 0.35
 .XX \pm 0.20
 ANG.
 UNIT mm

NO.	REV.	REVISIONS	CHK	DATE
Δ	A3	Modify P/N:FPVXXVZARC-R1K-H --> FPVXXVZARC-RXX-H	HZF	10/08/2013
Δ	A2	Modify Data	HZF	11/11/2011
Δ	A1	Modify Data	HZF	01/16/2010
Δ	A0	NEW RELEASE	HZF	06/30/2009

SPECIFICATION
 Material: Transparence Polystwrene PS
 Carrier Camber Not To Exceed 1mm In 100mm
 Sprocket Hole Pitch Cumulative Tolerance: ±0.20mm
 Draft Angle: 3° Max.
 RoHS Compliant



Pin	B0±0.30	F±0.10	E±0.10	W±0.30
4	7.98			
5	8.48			
6	8.98			
7	9.48			
8	9.98			
9	10.48			
10	10.98	11.50		24.00
11	11.48			
12	11.98			
13	12.48			
14	12.98			
15	13.48			
16	13.98			
17	14.48			
18	14.98			
19	15.48			
20	15.98			
21	16.48			
22	16.98			
23	17.48			
24	17.98			
25	18.48			
26	18.98	14.20	28.40	32.00
27	19.48			
28	19.98			
29	20.48			
30	20.98			
31	21.48			
32	21.98			
33	22.48			
34	22.98			
35	23.48			
36	23.98			
37	24.48			
38	24.98			
39	25.48			
40	25.98			
41	26.48			
42	26.98			
43	27.48			
44	27.98			
45	28.48			
46	28.98	20.20	40.40	44.00
47	29.48			
48	29.98			
49	30.48			
50	30.98			
51	31.48			
52	31.98			
53	32.48			
54	32.98			
55	33.48			
56	33.98			
57	34.48			
58	34.98			
59	35.48			
60	35.98			



Pin	PCS/Reel
4~39P	1000
40~60P	900

AUK A MEMBER OF AUK GROUP
太聯事業股份有限公司
AUK CONTRACTORS CO., LTD.

CATEGORY		APPROVED BY		UNLESS OTHERWISE SPECIFIED TOLERANCES ARE .X ±0.35 .XX ±0.20 ANG.
PART No. FPVXXVZARC-RXX-H		MEI		
DRAWING No. FPVXXVZARC-RXX-H		CHECKED BY HZF		
SCALE NONE		DRAWING BY SONG		
REV.	A3	UNIT mm		

NO.	REV.	REVISIONS	CHK	DATE
A3		Modify P/N:FPVXXVZARC-R1K-H --> FPVXXVZARC-RXX-H	HZF	10/08/2013
A2		Modify Data	HZF	11/11/2011
A1		Modify Data	HZF	01/16/2010
A0		NEW RELEASE	HZF	06/30/2009