

SPECIFICATION

1.General Characteristics

0.3mm FPC XXP SMT 90° Easy On Type Bottom Contact H=1.0mm Tape&Reel 5000PCS/Reel

2.Material&Finish

Housing:LCP(UL94V-0),Black
 Actuator:LCP(UL94V-0),Black
 Contact:Phosphor Bronze,Gold Plated Over Nickel
 Leg:Phosphor Bronze,Matte Tin Plated Over Nickel

3.Electrical Characteristics

Current Rating:0.2A AC/DC
 Voltage Rating:30V AC/DC

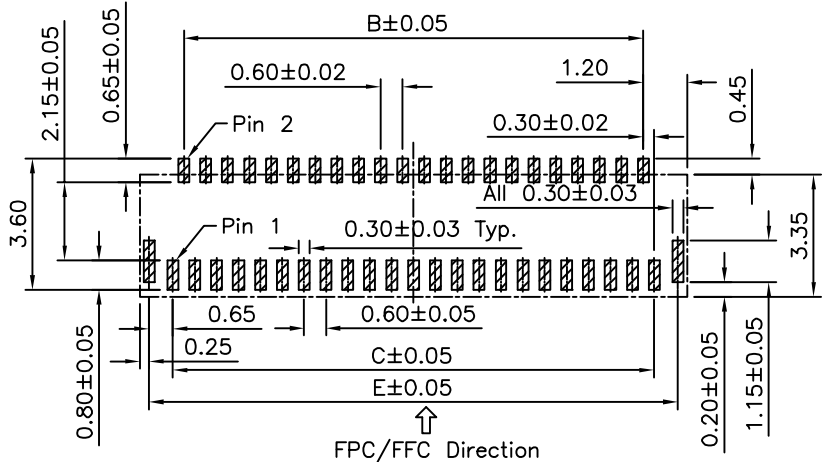
4.Environmental Characteristics

Operation Temperature:-55°C~+85°C

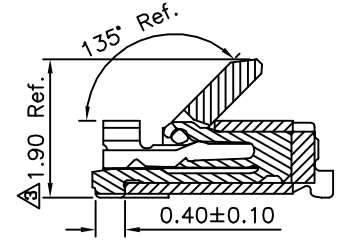
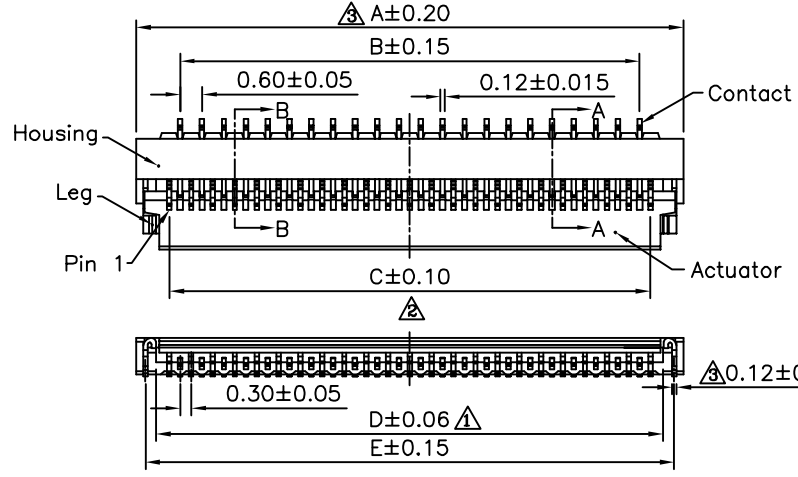
5.RoHS Compliant

FPT XX WHB 10 - R5K - H
 (1) (2) (3) (4) (5) (6)

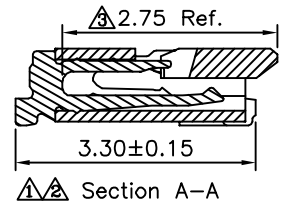
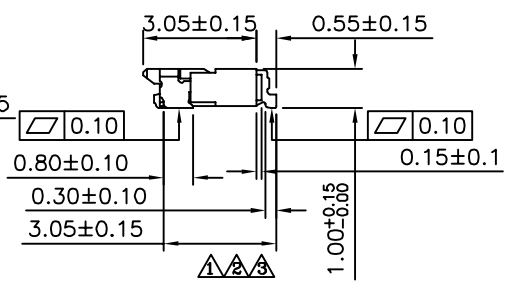
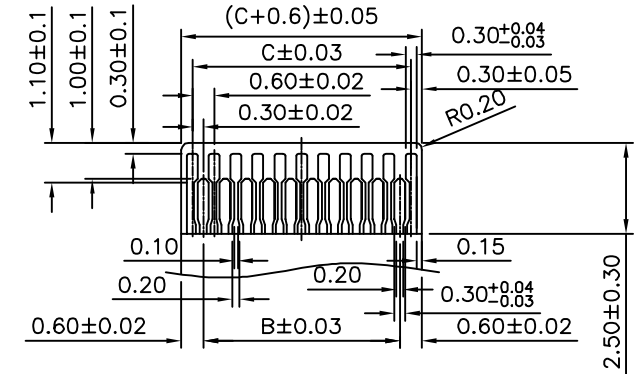
- (1) FPT:0.3mm FPC
- (2) XX:No. Of Position
- (3) WHB:SMT Right Angle Easy On Type Bottom Contact
- (4) 10:H=1.0mm
- (5) R5K:Tape & Reel 5000PCS/Reel
- (6) H:RoHS Compliant



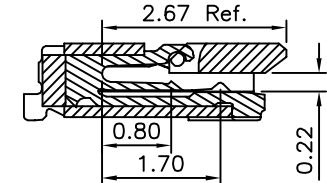
Recommended P.C.B. Layout



When Actuator Is Opened



Section A-A



Section B-B

Pin	A	B	C	D	E	Pin	A	B	C	D	E
13	5.40	3.00	3.60	4.30	4.90	35	12.00	9.60	10.20	10.90	11.50
15	6.00	3.60	4.20	4.90	5.50	39	13.20	10.80	11.40	12.10	12.70
21	7.80	5.40	6.00	6.70	7.30	41	13.80	11.40	12.00	12.70	13.30
23	8.40	6.00	6.60	7.30	7.90	45	15.00	12.60	13.20	13.90	14.50
25	9.00	6.60	7.20	7.90	8.50	51	16.80	14.40	15.00	15.70	16.30
31	10.80	8.40	9.00	9.70	10.30	61	19.80	17.40	18.00	18.70	19.30
33	11.40	9.00	9.60	10.30	10.90	67	21.60	19.20	19.80	20.50	21.10

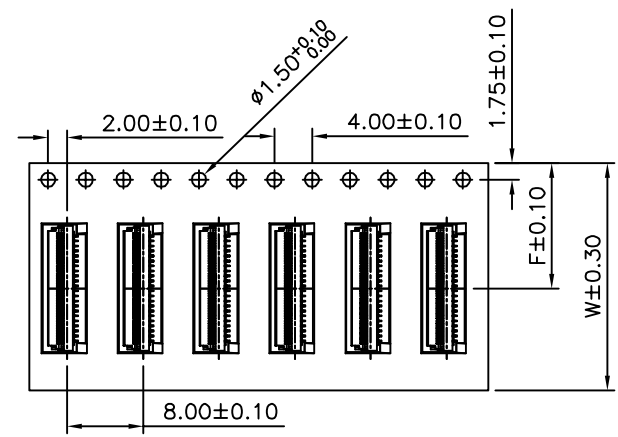
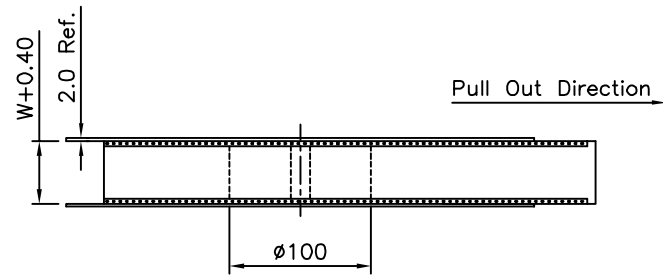


A MEMBER OF AUK GROUP
太聯事業股份有限公司
AUK CONTRACTORS CO., LTD.

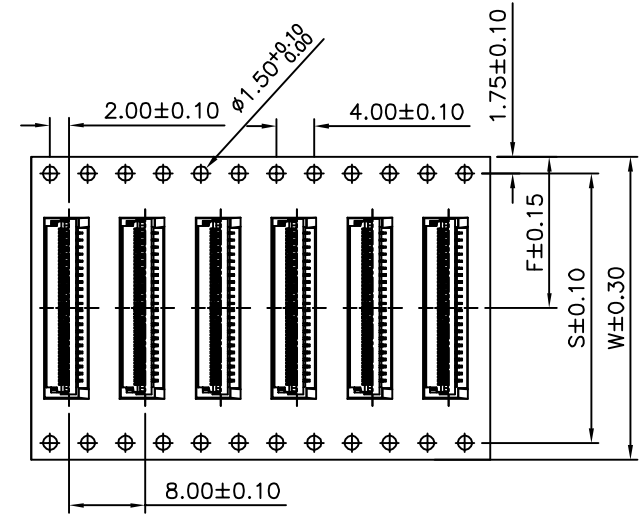
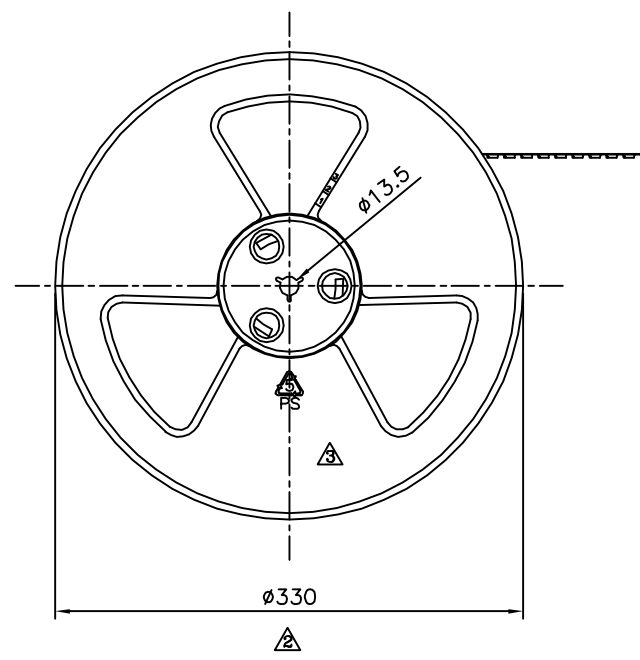
CATEGORY		APPROVED BY		UNLESS OTHERWISE SPECIFIED TOLERANCES ARE .X ±0.30 .XX ±0.20 .XXX ±0.10 ANG. ±5°
PART No. FPTXXWHB10-R5K-H		EMILY		
DRAWING No. FPTXXWHB10-R5K-H		CHECKED BY HZF		
SCALE NONE		DRAWING BY HAO		
REV.	A3	UNIT mm	NO. REV. REVISIONS	

NO. REV.	REVISIONS	CHK	DATE
A3	Modify Data	HZF	10/20/2014
A2	Modify Data	HZF	06/10/2014
A1	Modify Data	HZF	05/30/2011
A0	NEW RELEASE	HZF	01/12/2010

△ SPECIFICATION
 Material:PS,Black
 All Dimensions Meet EIA-481-3 Requirements
 Q'ty:5000PCS/Reel
 RoHS Compliant



△ For Reel Width(Dimension W)16,24mm Single Row Hole



△ For Reel Width(Dimension W)32mm Double Rows Hole△

△△	Pin	W	F	S
	13~25	16.0	7.50	-
	31~51	24.0	11.50	-
	61~67	32.0	14.20	28.4

AUK A MEMBER OF AUK GROUP
太聯事業股份有限公司
AUK CONTRACTORS CO., LTD.

CATEGORY		APPROVED BY		UNLESS OTHERWISE SPECIFIED TOLERANCES ARE .X ±0.25 .XX ±0.15 .XXX ±0.10 ANG. ±2°				
PART No. FPTXXWHB10-R5K-H		EMILY			△ A3	Modify Data	HZF	10/20/2014
DRAWING No. FPTXXWHB10-R5K-H		HAO			△ A2	Modify Data	HZF	06/10/2014
SCALE NONE		REV. A3			△ A1	Modify Data	HZF	05/30/2011
				UNIT mm	△ A0	NEW RELEASE	HZF	01/12/2010
					NO.REV.	REVISIONS	CHK	DATE