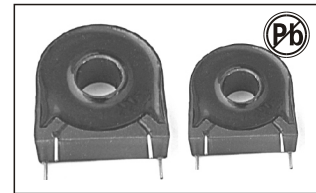


THROUGH-HOLE CURRENT SENSOR TRANSFORMER

FWCST010-013 SERIES



FEATURES:

- Low profile, directly to PCB.
- PBT 94V0 Case burn-resistant epoxy resin, stable.

OPTIONS:

- Bulk is standard
- Custom design acceptable

COMMON APPLICATIONS:

- AC energy Meter Power transducer RTU
- Protection current transformer
- AC kilowatt hour meter
- Electronical monitoring system

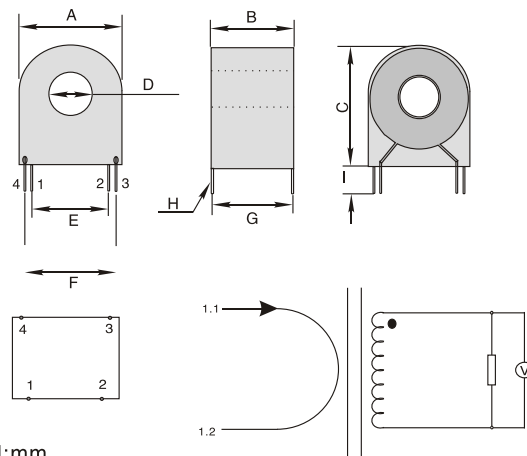
ELECTRICAL CHARACTERISTICS:

Performance&Specification for High Precision Current Test							Performance&Specification for Protection Precision Current Test						
Part Number	Rated primary current(A)	Max primary current(A)	Rated secondary current(mA)	Current ratio	Output ratio (Ω)	Accuracy class	Part Number	Rated primary current(A)	Max primary current(A)	Rated secondary current(mA)	Resistance load (Ohm)	Output ratio (Ω)	Accuracy class
FWCST010A/5	5	40	2.5	2000:1	100	0.2,0.5	FWCST010B	5	60	5	100	0.5	0.5,1.0
FWCST010A/10	10	40	4	2500:1	100	0.2,0.5	FWCST010B	10	60	10	100	1.0	0.5,1.0
FWCST010A/20	20	40	10	2000:1	100	0.1,0.2,0.5	FWCST010B	15	60	15	100	1.5	0.5,1.0
FWCST011A/10	10	60	4	2500:1	100	0.1,0.2,0.5	FWCST011B	20	60	20	100	2.0	0.5,1.0
FWCST011A/20	20	60	10	2000:1	100	0.1,0.2,0.5	FWCST011B	25	75	25	100	2.5	0.5,1.0
FWCST011A/40	40	60	20	2000:1	100	0.1,0.2,0.5	FWCST011B	30	75	30	100	3.0	0.5,1.0
FWCST012A/60	60	120	24	2500:1	100	0.1,0.2,0.5	FWCST012B	40	75	40	100	4.0	0.5,1.0
FWCST012A/80	80	120	32	2500:1	100	0.1,0.2,0.5	FWCST012B	50	125	50	100	5.0	0.5,1.0
FWCST012A/120	120	120	48	2500:1	100	0.1,0.2,0.5	FWCST012B	60	125	60	100	6.0	0.5,1.0
FWCST013A/100	100	200	40	2500:1	100	0.1,0.2,0.5	FWCST013B	75	125	75	100	7.5	0.5,1.0
FWCST013A/100	100	200	50	2000:1	100	0.1,0.2,0.5	FWCST013B	100	250	100	100	10.0	0.5,1.0
FWCST013A/200	200	200	80	2500:1	100	0.1,0.2,0.5	FWCST013B	150	250	150	100	15.0	0.5,1.0

TECHNICAL INFORMATION & PHYSICAL CHARACTERISTICS:

- Working Frequency range 20Hz~400Hz
- Insulation resistance: 500V DC >100MΩ
- Hi-Pot : 4000V 1mA 60S
- Temperature range: -25°C to +85°C
- Storage Temperature: -40°C to +105°C
- Resistance to soldering heat: 260°C for 10 seconds
- Marking: Part number and date code

Note: All specifications subject to change without notice.



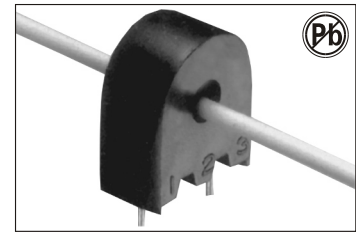
DIMENSIONS IN:mm

	A	B	C	D	E	F	G	H	I
FWCST010	23.5	12.5	25.0	7.0	15.0	18.5	10.5	1.0	6.0
FWCST011	26.0	17.0	29.0	9.0	15.0	18.5	15.0	1.0	6.0
FWCST012	37.0	14.0	39.0	13.0	25.0	32.5	11.0	1.0	6.0
FWCST013	49.0	20.0	54.0	18.5	29.5	37.0	17.5	1.0	6.0

Note: All specifications subject to change without notice.

HIGH FREQUENCY CURRENT SENSING TRANSFORMER

FWCST SERIES



FEATURES:

- Meets UL94-V0 Requirements
- Precise Current Sensing

OPTIONS:

- Bulk Packaging is Standard
- Custom Design Available
- Thru Hole Available

COMMON APPLICATIONS:

- SMPS Control Circuits
- Current Sensing
- Switching power regulators
- Pulse current test

STANDARD SPECIFICATIONS @250C

Part Number	SCHEMATIC	TURNS (± 1% Max)	OCL (mH Min)	DCR (Ω Max)	ET (V- μ SEC-Min)
FWCST-001	2A	50	5.0	0.7	150
FWCST-002	2A	100	20.0	1.40	300
FWCST-003	2A	200	80.0	4.50	600
FWCST-004	2A	300	180.0	11.0	900
FWCST-005	2B	50CT	5.0	0.7	150
FWCST-006	2B	100CT	20.0	1.40	300
FWCST-007	2B	200CT	80.0	4.50	600
FWCST-008	2B	300CT	180.0	11.0	900
FWCST-E51	3	100	2.0	5.50	120
FWCST-E52	3	125	3.0	6.50	130

TECHNICAL INFORMATION & PHYSICAL CHARACTERISTICS

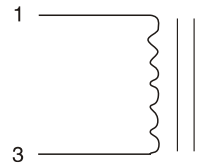
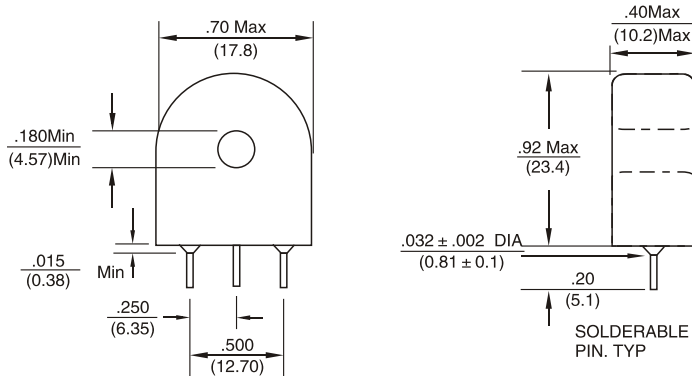


FIG. 2A

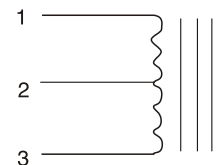


FIG. 2B

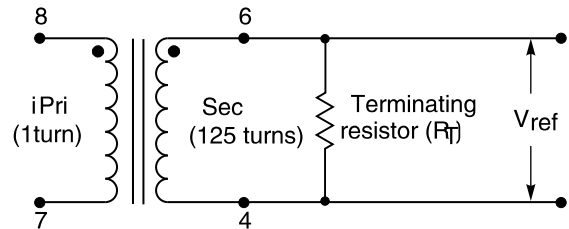
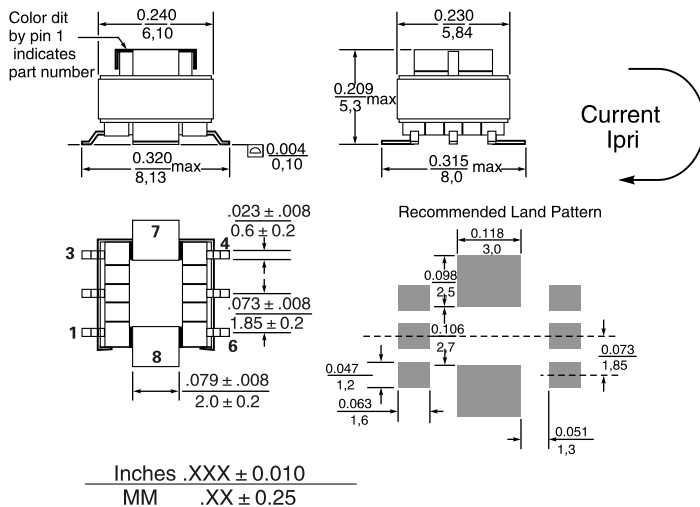


FIG. 3

- Working Frequency range: 10KHz~1MHz
 - Testing Frequency: 10 KHz 0.1VRMS
 - Hipot: 2000VAC, Primary to Secondary
 - Maximum Sensing Current: 20A p-p
 - All secondary measurements are in pins 1-3
 - Soldering methods: Wave, Reflow
 - Operating Temperature: 0°C to 85°C
 - Storage Temperature: -25°C to 85°C
- Note: All specifications subject to change without notice