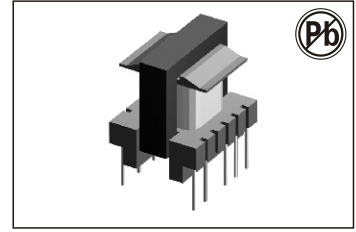


POWER FERRITE TRANSFORMERS

1-6W E16 - 2 OUTPUT

FLYBACK TRANSFORMER SERIES

FWPT E16000 E16003 SERIES



FEATURES:

- Primary / Secondary Insulation $\geq 4000V$
- Primary Auxiliary Insulation $\geq 1500V$
- Creepage distances Primary / secondary $\geq 6mm$

OPTIONS:

- Bulk packaging is standard
- Custom design available

COMMON APPLICATIONS:

- AC-DC converters
- DC-DC converters
- Switch Power supplies
- SMPS: Flyback, Forward and Push-pull
- SMPS: Half Bridge and Full Bridge

ELECTRICAL CHARACTERISTICS

74000 E16 5w 5/12V				
Control IC Manufacturer	Control IC P/N	Input voltage	Power	Frequency
Power Integrations	TOP242P	85 – 265 Vrms	5 w	132 kHz
ST Microelectronics	VIPer20	85 – 265 Vrms	4 w	70 kHz

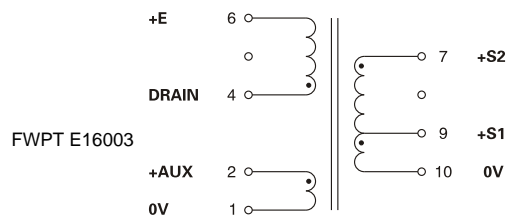
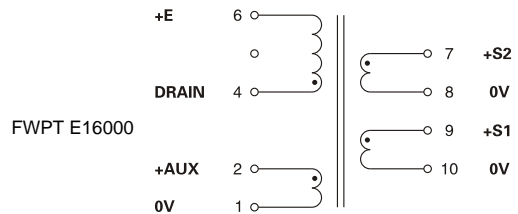
74003 E16 6w 3.3/5V				
Control IC Manufacturer	Control IC P/N	Input voltage	Power	Frequency
Infineon	TDA16831	185 – 265 Vrms	6 w	100 kHz
Motorola	MC33369	85 – 265 Vrms	6 w	100 kHz
Power Integrations	TOP242P	85 – 265 Vrms	5 w	132 kHz
ST Microelectronics	VIPer20	85 – 265 Vrms	6 w	70 kHz
ST Microelectronics	VIPer20	85 – 265 Vrms	3 w	40 kHz

SIZE E16 - 2 OUTPUT : 5 or 12V & 3.3 or 5V - FLYBACK TRANSFORMER							
Part Number	Output Power max	Windings					Inductance (+/-10%)
			Pins	Turns	Voltage	Current max	
FWPT E16000	5w	Pri	4-6	138	62 – 130 (VOR)	0.27 Apeak	3900 μ H
		Aux	2-1	16	7 – 14 Vdc	0.1 Adc	
		S1	9-10	8	3.3 – 7 Vdc	1.2 Adc	
		S2	7-8	19	8 – 17 Vdc	0.4 Adc	
FWPT E16003	6w	Pri	4-6	120	55 – 115 (VOR)	0.3 Apeak	3000 μ H
		Aux	2-1	17	8 – 16 Vdc	0.1 Adc	
		S1	9-10	5	2 – 4 Vdc	0.8 Adc	
		S2	7-10	7	3 – 6 Vdc	1.2 Adc	

Note: Regulation with auxiliary winding

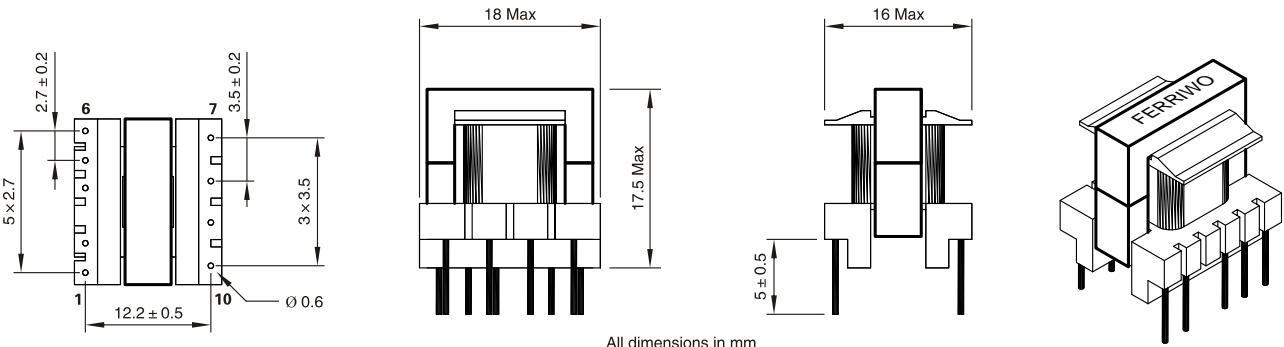
TECHNICAL INFORMATION

- Ambient temperature $< 70^{\circ}C$
- Construction conforms to CEI950, CEI335, CEI61558 for reinforced insulation
- Exclusively uses UL94-VO listed materials



Note: PIN 3 Removed, PCB Drilling Diameter = 1.1mm

PHYSICAL CHARACTERISTICS

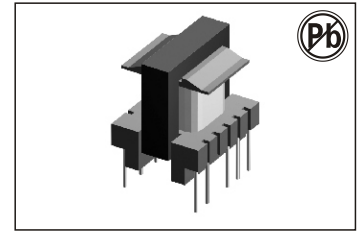


All dimensions in mm

POWER FERRITE TRANSFORMERS

1-6W E16-SINGLE OUTPUT FLYBACK TRANSFORMERS

FWPT E16001, E16002 SERIES



FEATURES:

- Primary / Secondary Insulation $\geq 4000V$
- Primary Auxiliary Insulation $\geq 1500V$
- Creepage distances Primary / secondary $\geq 6mm$

OPTIONS:

- Bulk packaging is standard
- Custom design available

COMMON APPLICATIONS:

- AC-DC converters
- DC-DC converters
- Switch Power supplies
- SMPS: Flyback, Forward and Push-pull
- SMPS: Half Bridge and Full Bridge

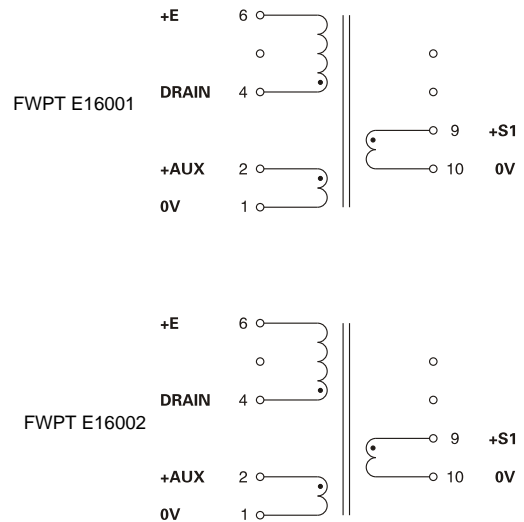
ELECTRICAL CHARACTERISTICS

Control IC Manufacturer	Control IC P/N	Input voltage	Power	Frequency
Infineon	TDA16831	185 – 265 Vrms	6 w	100 kHz
Motorola	MC33369	85 – 265 Vrms	6 w	100 kHz
Power Integrations	TOP242P	85 – 265 Vrms	6 w	132 kHz
ST Microelectronics	VIPer20	85 – 265 Vrms	6 w	70 kHz
ST Microelectronics	VIPer20	85 – 265 Vrms	3 w	40 kHz

TECHNICAL INFORMATION

- Ambient temperature $< 60^{\circ}C$
- Construction conforms to CEI950, CEI335, CEI61558 for reinforced insulation
- Exclusively uses UL94-VO listed materials

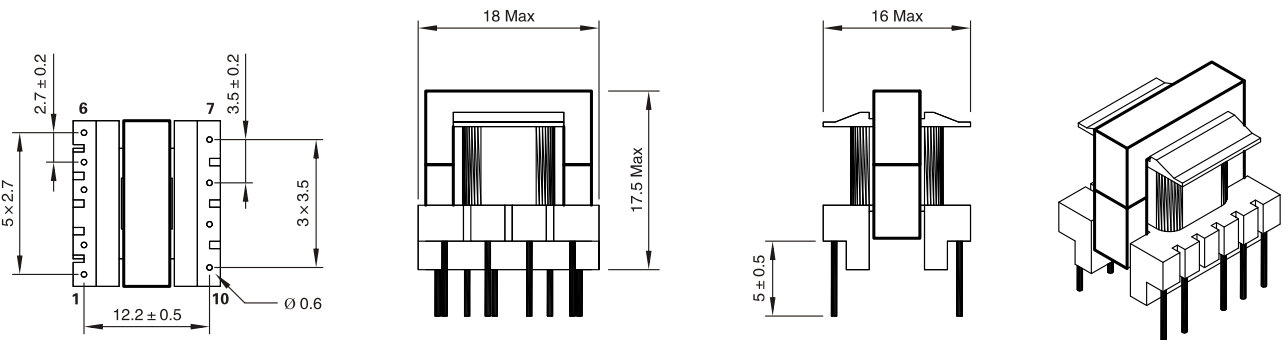
SIZE E16 – SINGLE OUTPUT : 5 or 12V – FLYBACK TRANSFORMER						
Part Number	Output Power max	Windings				
		Pins	Turns	Voltage	Current max	Inductance (+/-10%)
FWPT E16001	6w	Pri 4-6	138	60 – 120 (VOR)	0.35 Apeak	3000 μ H
		Aux 2-1	16	8 – 16 Vdc	0.1 Adc	
		S1 9-10	8	3 – 6 Vdc	1.2 Adc	
FWPT E16002	6w	Pri 4-6	150	60 – 120 (VOR)	0.38 Apeak	3000 μ H
		Aux 2-1	22	8.5 – 17 Vdc	0.1 Adc	
		S1 9-10	24	9 – 18 Vdc	0.5 Adc	



Note: Regulation with auxiliary winding

Note: PIN 3 Removed, PCB Drilling Diameter = 1.1mm

PHYSICAL CHARACTERISTICS



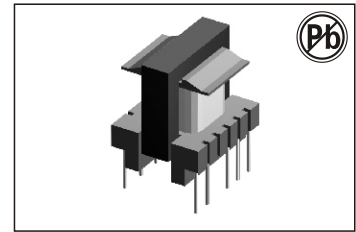
All dimensions in mm

POWER FERRITE TRANSFORMERS

6-12W E16 - 2 OUTPUT

FLYBACK TRANSFORMERS

FWPT E16010 SERIES



FEATURES:

- Primary / Secondary Insulation $\geq 4000V$
- Primary Auxiliary Insulation $\geq 1500V$
- Creepage distances Primary / secondary $\geq 6mm$

OPTIONS:

- Bulk packaging is standard
- Custom design available

COMMON APPLICATIONS:

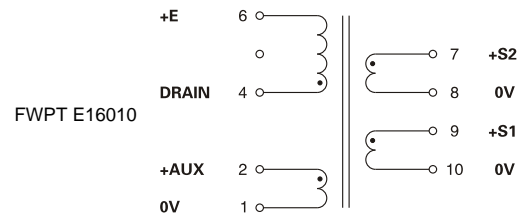
- AC-DC converters
- DC-DC converters
- Switch Power supplies
- SMPS: Flyback, Forward and Push-pull
- SMPS: Half Bridge and Full Bridge

ELECTRICAL CHARACTERISTICS

Control IC Manufacturer	Control IC P/N	Input voltage	Power	Frequency
Fairchild	KA5H0165RN	185 – 265 Vrms	10 w	100 kHz
Fairchild	KA5L0165R	85 – 265 Vrms	7 w	50 kHz
Infineon	TDA16831	92 – 265 Vrms	7.5 w	100 kHz
Infineon	TDA16831	185 – 265 Vrms	10 w	100 kHz
Motorola	MC33369	85 – 265 Vrms	8 w	100 kHz
Motorola	MC33369	185 – 265 Vrms	10 w	100 kHz
Power Integrations	TNY267	185 – 265 Vrms	12 w	132 kHz
Power Integrations	TOP242P	85 – 265 Vrms	10 w	132 kHz
Power Integrations	TOP242P	185 – 265 Vrms	12 w	132 kHz
Power Integrations	TOP242P	85 – 265 Vrms	10 w	132 kHz
ST Microelectronics	VIPer20	85 – 265 Vrms	8 w	70 kHz
ST Microelectronics	VIPer20	185 – 265 Vrms	10 w	70 kHz

TECHNICAL INFORMATION

- Ambient temperature $< 50^{\circ}C$
- Construction conforms to CEI950, CEI335, CEI61558 for reinforced insulation
- Exclusively uses UL94-VO listed materials



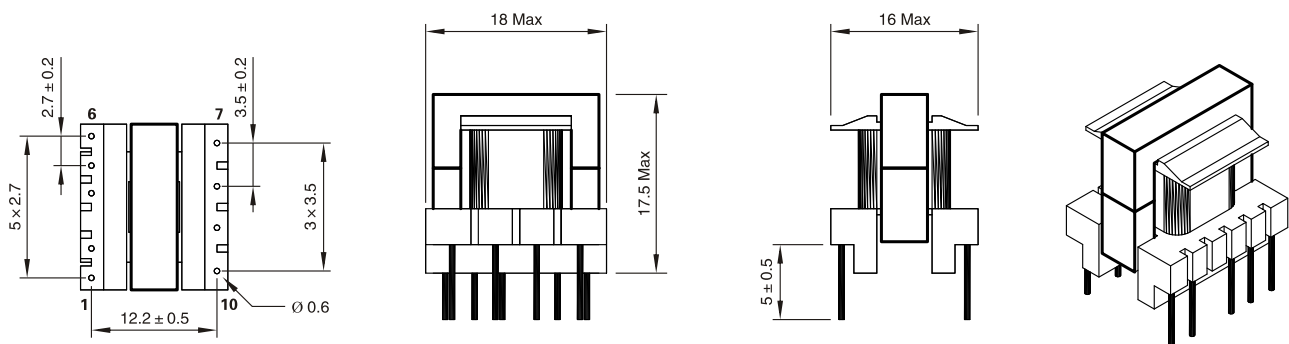
SIZE E16 - 2 OUTPUTS : 5 & 12V - FLYBACK TRANSFORMER

Part Number	Output Power max	Windings					Inductance (+/-10%)
			Pins	Turns	Voltage	Current max	
FWPT E16010	12 w	Pri	4-6	120	60-125 (VOR)	0.55 Apeak	1660 μ H
		Aux	2-1	14	7-14 Vdc	0.1 Adc	
		S1	9-10	7	3.3-7 Vdc	2 Adc	
		S2	7-8	17	8-17 Vdc	1 Adc	

Note: Regulation with auxiliary winding

Note: PIN 3 Removed, PCB Drilling Diameter = 1.1mm

PHYSICAL CHARACTERISTICS

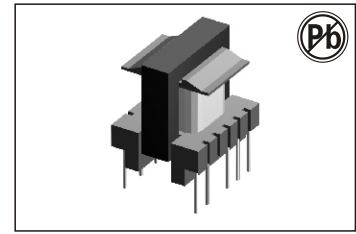


All dimensions in mm

POWER FERRITE TRANSFORMERS

6-12W E16 - 2 OUTPUT FLYBACK TRANSFORMERS

FWPT E16014 SERIES



FEATURES:

- Primary / Secondary Insulation $\geq 4000V$
- Primary Auxiliary Insulation $\geq 1500V$
- Creepage distances Primary / secondary $\geq 6mm$

OPTIONS:

- Bulk packaging is standard
- Custom design available

COMMON APPLICATIONS:

- AC-DC converters
- DC-DC converters
- Switch Power supplies
- SMPS: Flyback, Forward and Push-pull
- SMPS: Half Bridge and Full Bridge

ELECTRICAL CHARACTERISTICS

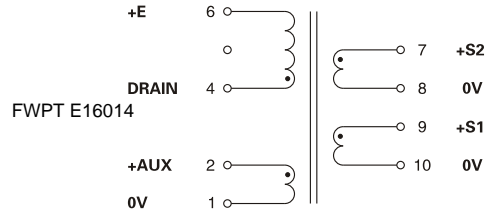
Control IC Manufacturer	Control IC P/N	Input voltage	Power	Frequency
Power Integrations	TNY266	185 – 265 Vrms	12 w	132 kHz
Power Integrations	TNY266	85 – 265 Vrms	8 w	132 kHz
Power Integrations	TNY242P	185 – 265 Vrms	12 w	132 kHz
Power Integrations	TNY242P	85 – 265 Vrms	8 w	132 kHz

TECHNICAL INFORMATION

- Ambient temperature $< 50^{\circ}C$
- Construction conforms to CEI950, CEI335, CEI61558 for reinforced insulation
- Exclusively uses UL94-VO listed materials

- Typical outputs : + 24V 0.5A with S1 – S2 in parallel
- + 48V 0.25A with S1 – S2 in series (8-9 connected)
- +15V / -15V 0.4A with pins 8-9 connected to 0V

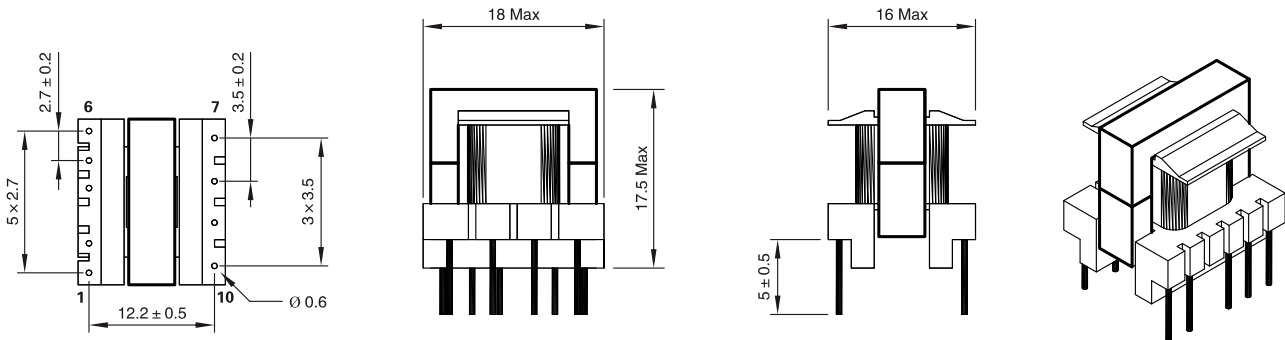
SIZE E16 - 2 OUTPUTS : 5 & 12V - FLYBACK TRANSFORMER							
Part Number	Output Power max	Windings					
			Pins	Turns	Voltage	Current max	Inductance (+/-10%)
FWPT E16014	12 w	Pri	4-6	120	70-140 (VOR)	0.5 Apeak	1800 μH
		Aux	2-1	14	9-18 Vdc	0.2 Adc	
		S1	9-10	27	15-30 Vdc	0.4 Adc	
		S2	7-8	27	15-30 Vdc	0.4 Adc	



Note: Regulation with auxiliary winding

Note: PIN 3 Removed, PCB Drilling Diameter = 1.1mm

PHYSICAL CHARACTERISTICS

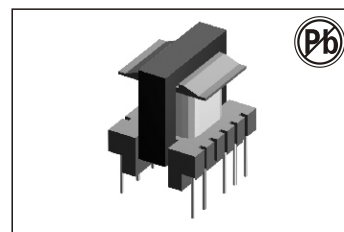


All dimensions in mm

POWER FERRITE TRANSFORMERS

6-12W E16 - 3 OUTPUT FLYBACK TRANSFORMERS

FWPT E16015 SERIES



FEATURES:

- Primary / Secondary Insulation $\geq 4000V$
- Primary Auxiliary Insulation $\geq 1500V$
- Creepage distances Primary / secondary $\geq 6mm$

OPTIONS:

- Bulk packaging is standard
- Custom design available

COMMON APPLICATIONS:

- AC-DC converters
- DC-DC converters
- Switch Power supplies
- SMPS: Flyback, Forward and Push-pull
- SMPS: Half Bridge and Full Bridge

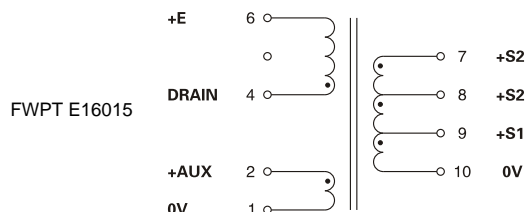
ELECTRICAL CHARACTERISTICS

Control IC Manufacturer	Control IC P/N	Input voltage	Power	Frequency
Power Integrations	TNY266	185 – 265 Vrms	10 w	132 kHz
Power Integrations	TNY266	85 – 265 Vrms	8 w	132 kHz
Power Integrations	TOP242P	185 – 265 Vrms	12 w	132 kHz
Power Integrations	TOP242P	85 – 265 Vrms	9 w	132 kHz

TECHNICAL INFORMATION

- Ambient temperature $< 50^{\circ}C$
- Construction conforms to CEI950, CEI335, CEI61558 for reinforced insulation
- Exclusively uses UL94-VO listed materials

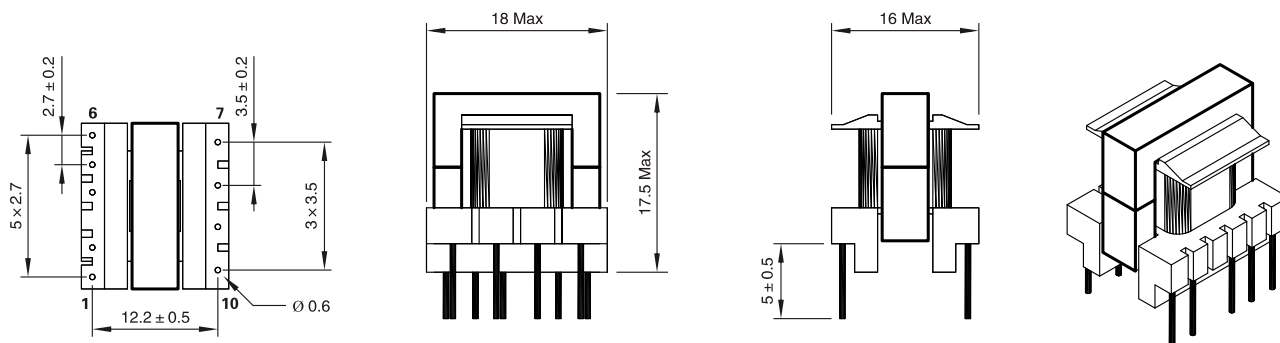
SIZE E16 - 2 OUTPUTS : 5 & 12V - FLYBACK TRANSFORMER							
Part Number	Output Power max	Windings					Inductance (+/-10%)
			Pins	Turns	Voltage	Current max	
FWPT E16015	12 w	Pri	4-6	120	110 (VOR)	0.5 Apeak	1800 μ H
		Aux	2-1	14	12 Vdc	0.2 Adc	
		S1	9-10	6	5 Vdc	1.5 Adc	
		S2	8-10	17	15 Vdc	0.6 Adc	
		S3	7-10	27	24 Vdc	0.4 Adc	



Note: Regulation with auxiliary winding

Note: PIN 3 Removed, PCB Drilling Diameter = 1.1mm

PHYSICAL CHARACTERISTICS

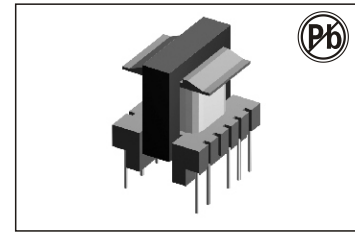


All dimensions in mm

POWER FERRITE TRANSFORMERS

1-9W E16-SINGLE OUTPUT TRANSFORMER FOR TINYSWITCHES

FWPT E16090 E16091 SERIES



FEATURES:

- Primary / Secondary Insulation $\geq 4000V$
- Creepage distances Primary / secondary $\geq 6mm$

OPTIONS:

- Bulk packaging is standard
- Custom design available

COMMON APPLICATIONS:

- AC-DC converters
- DC-DC converters
- Switch Power supplies
- SMPS: Flyback, Forward and Push-pull
- SMPS: Half Bridge and Full Bridge

ELECTRICAL CHARACTERISTICS

74090				
Control IC Manufacturer	Control IC P/N	Input voltage	Power	Frequency
Power Integrations	TNY254	85 – 265 Vrms	1.5 w	44 kHz

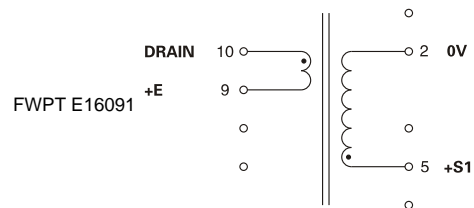
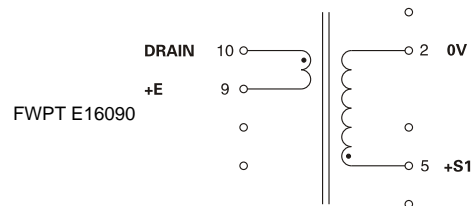
74091				
Control IC Manufacturer	Control IC P/N	Input voltage	Power	Frequency
Power Integrations	TNY254	85 – 265 Vrms	1.5 w	44 kHz

SIZE E16 – SINGLE OUTPUT : 5 or 12V TRANSFORMER FOR TINYSWITCH							
Part Number	Output Power max	Windings					Inductance (+/-10%)
			Pins	Turns	Voltage	Current max	
FWPT E16090	1.5w	Pri	10-9	228	50-95 (VOR)	0.28 Apeak	6000 μ H
		S1	5-2	16	3.3-6 Vdc	0.4 Adc	
FWPT E16091	1.5w	Pri	10-9	228	65-130 (VOR)	0.28 Apeak	6000 μ H
		S1	5-2	28	7.5 – 15 Vdc	0.2 Adc	

Note: Regulation with auxiliary winding

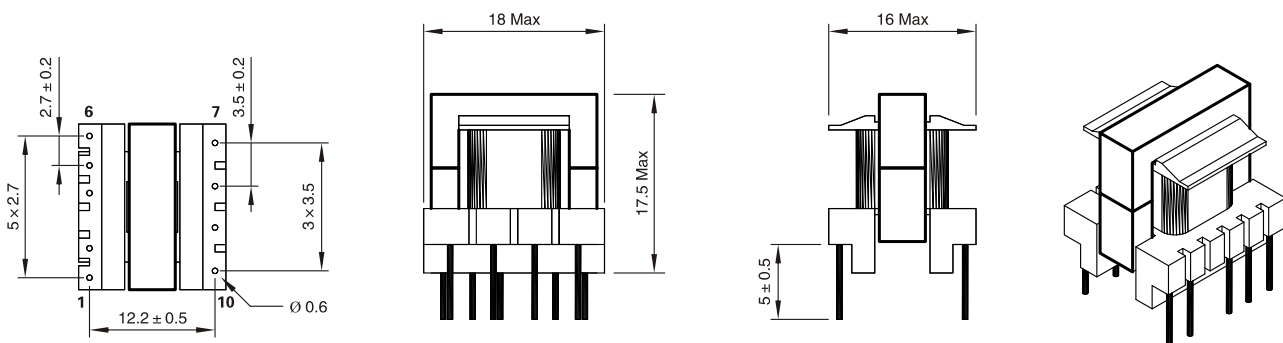
TECHNICAL INFORMATION

- Ambient temperature $< 85^{\circ}C$
- Construction conforms to CEI950, CEI335, CEI61558 for reinforced insulation
- Exclusively uses UL94-VO listed materials



Note: PIN 3 Removed, PCB Drilling Diameter = 1.1mm

PHYSICAL CHARACTERISTICS

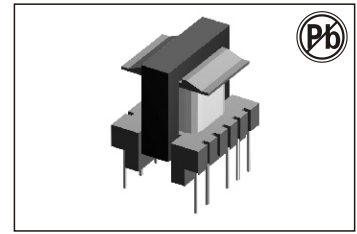


All dimensions in mm

POWER FERRITE TRANSFORMERS

1-9W E16-SINGLE OUTPUT TRANSFORMER FOR TINYSWITCHS

FWPT E16092 E16093 SERIES



FEATURES:

- Primary / Secondary Insulation \geq 4000V
- Creepage distances Primary / secondary \geq 6mm

OPTIONS:

- Bulk packaging is standard
- Custom design available

COMMON APPLICATIONS:

- AC-DC converters
- DC-DC converters
- Switch Power supplies
- SMPS: Flyback, Forward and Push-pull
- SMPS: Half Bridge and Full Bridge

ELECTRICAL CHARACTERISTICS

74092				
Control IC Manufacturer	Control IC P/N	Input voltage	Power	Frequency
Power Integrations	TNY254	85 – 265 Vrms	3.1 w	44 kHz

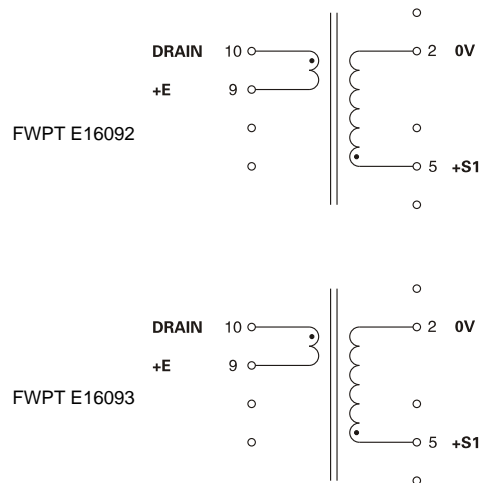
74093				
Control IC Manufacturer	Control IC P/N	Input voltage	Power	Frequency
Power Integrations	TNY254	85 – 265 Vrms	3.1 w	44 kHz

SIZE E16 - SINGLE OUTPUT : 5 or 12V TRANSFORMER FOR TINYSWITCH							
Part Number	Output Power max	Windings					Inductance (+/-10%)
			Pins	Turns	Voltage	Current max	
FWPT E16092	3.1w	Pri	10-9	191	55-100 (VOR)	0.34 Apeak	4200 μ H
		S1	5-2	13	3.3-6 Vdc	0.9 Adc	
FWPT E16093	3.1w	Pri	10-9	191	65-125 (VOR)	0.34 Apeak	4200 μ H
		S1	5-2	24	7.5 - 15 Vdc	0.4 Adc	

Note: Regulation with auxiliary winding

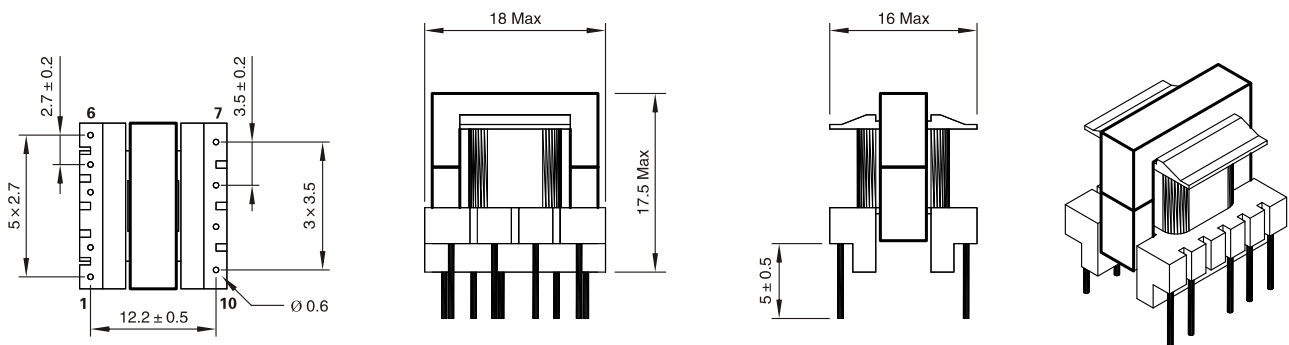
TECHNICAL INFORMATION

- Ambient temperature $<$ 70°C
- Construction conforms to CEI950, CEI335, CEI61558 for reinforced insulation
- Exclusively uses UL94-VO listed materials

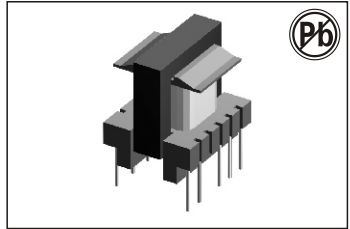


Note: PIN 3 Removed, PCB Drilling Diameter = 1.1mm

PHYSICAL CHARACTERISTICS



All dimensions in mm



POWER FERRITE TRANSFORMERS

1-9W E16-SINGLE OUTPUT TRANSFORMER FOR TINYSWITCHES

FWPT E16094 E16095 SERIES

FEATURES:

- Primary / Secondary Insulation \geq 4000V
- Creepage distances Primary / secondary \geq 6mm

OPTIONS:

- Bulk packaging is standard
- Custom design available

COMMON APPLICATIONS:

- AC-DC converters
- DC-DC converters
- Switch Power supplies
- SMPS: Flyback, Forward and Push-pull
- SMPS: Half Bridge and Full Bridge

ELECTRICAL CHARACTERISTICS

74094				
Control IC Manufacturer	Control IC P/N	Input voltage	Power	Frequency
Power Integrations	TNY255	85 – 265 Vrms	4.2 w	44 kHz
Power Integrations	TNY264	85 – 265 Vrms	5 w	132 kHz
Power Integrations	TNY266	85 – 265 Vrms	9 w	132 kHz

74095				
Control IC Manufacturer	Control IC P/N	Input voltage	Power	Frequency
Power Integrations	TNY255	85 – 265 Vrms	5 w	44 kHz
Power Integrations	TNY264	85 – 265 Vrms	5 w	132 kHz
Power Integrations	TNY266	85 – 265 Vrms	9 w	132 kHz

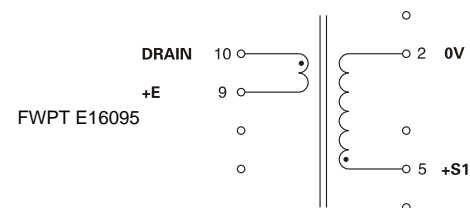
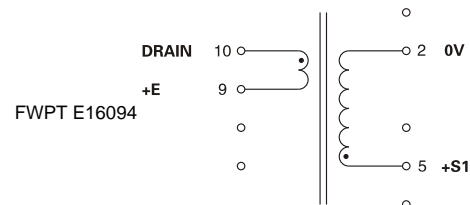
SIZE E16 – SINGLE OUTPUT : 5 or 12V TRANSFORMER FOR TINYSWITCH

Part Number	Output Power max	Windings					Inductance (+/-10%)
			Pins	Turns	Voltage	Current max	
FWPT E16094	9w	Pri	10-9	135	55-100 (VOR)	0.48 Apeak	2100 μ H
		S1	5-2	9	3.3-6 Vdc	1.5 Adc	
FWPT E16095	9w	Pri	10-9	135	65-125 (VOR)	0.48 Apeak	2100 μ H
		S1	5-2	17	7.5 - 15 Vdc	0.9 Adc	

Note: Regulation with auxiliary winding

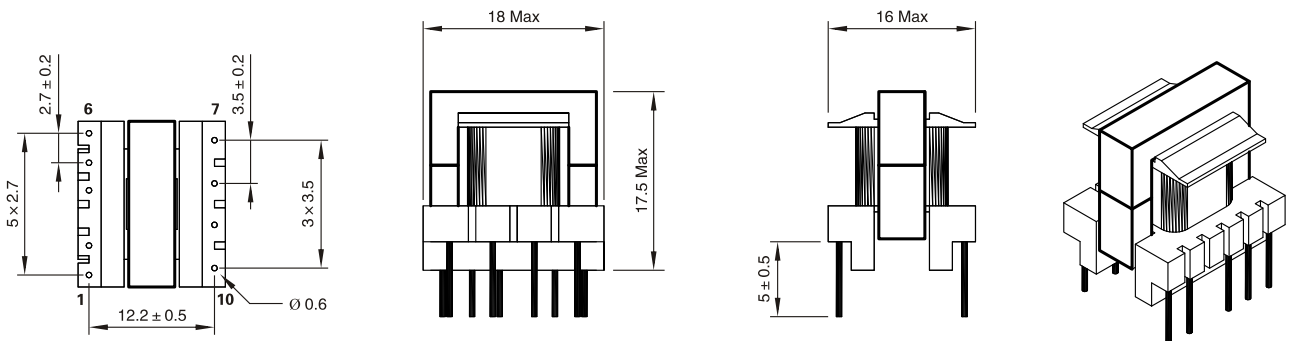
TECHNICAL INFORMATION

- Ambient temperature $<$ 60°C
- Construction conforms to CEI950, CEI335, CEI61558 for reinforced insulation
- Exclusively uses UL94-VO listed materials



Note: PIN 3 Removed, PCB Drilling Diameter = 1.1mm

PHYSICAL CHARACTERISTICS



All dimensions in mm