



classic mono LCDs

SPECIFICATION

CUSTOM DESIGN

LCD MODULE



ITEM NUMBER:

FDCD0131H

ESTABLISHED DATE:

2012.02

DATASHEET VERSION:

2008 VERSION

ISSUED BY:  CHECKED BY:  APPROVED BY: 

COPYRIGHT © 2000 ~ 2008 FORDATA ELECTRONIC CO., LTD. ALL RIGHTS RESERVED

- The following icons are absolutely designed by FORDATA independently in 2007-SEP. They are not in common use in the LCD industry yet but just used for marking out FORDATA products' characteristics quickly and simply without any special meaning. FORDATA reserves the composing right and copyright. No one else is allowed to adopt these icons without FORDATA's approval.
- The ISO9001 logo used in this document is authorized by SGS (www.sgs.com). FORDATA had already successfully passed the strict and professional ISO9001:2000 Quality Management System Certification and got the certificate (No.: CN07/00404)
- The technologies/techniques/crafts which denoted by the following icons are not exclusively owned by FORDATA, but also shared by FORDATA's LCD strategic cooperators, however all these technologies/techniques/crafts have been finally confirmed by FORDATA's professional engineers and QC department.
- As the difference in test standard and test conditions, also FORDATA's insufficient familiarity with the actual LCD using environment, all the referred information in this DATASHEET (including the icons) only have two functions:
 - 4.1: providing quick reference when you are judging whether or not the product meets your requirements.
 - 4.2: listing out definitely the tolerance.








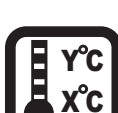




FORDATA declares seriously: you should first test the corresponding sample(s) before signing the formal FORDATA SAMPLE APPROVAL document rather than consider this DATASHEET as the standard for judging whether or not the LCD meets your requirements. Once you instruct FORDATA to a mass-production without definite demand for providing sample before, FORDATA will disclaim all responsibility if the mass-production is proved not meeting with your requirements.

- The sequence of the icons is random and doesn't indicate the importance grade.
- Icons explanation



FORDATA's 2006 version logo. FORDATA is an integrated manufacturer of flat panel display (FPD). FORDATA supplies TN, HTN, STN, FSTN monochrome LCD panel; COB, COG, TAB LCD module; and all kinds of LED backlight.

classic mono LEDs

- | | |
|---|---|
|  <p>FAST RESPONSE TIME
This icon on the cover indicates the product is with high response speed; Otherwise not.</p> |  <p>PROTECTION CIRCUIT
This icon on the cover indicates the product is with protection circuit; Otherwise not.</p> |
|  <p>HIGH CONTRAST
This icon on the cover indicates the product is with high contrast; Otherwise not.</p> |  <p>LONG LIFE VERSION
This icon on the cover indicates the product is long life version (over 9K hours guaranteed); Otherwise not.</p> |
|  <p>WIDE VIEWING SCOPE
This icon on the cover indicates the product is with wide viewing scope; Otherwise not.</p> |  <p>Anti UV VERSION
This icon on the cover indicates the product is against UV line. Otherwise not.</p> |
|  <p>RoHS COMPLIANCE
This icon on the cover indicates the product meets ROHS requirements; Otherwise not.</p> |  <p>OPERATION TEMPERATURE RANGE
This icon on the cover indicates the operating temperature range (X-Y).</p> |
|  <p>3TIMES 100% QC EXAMINATION
This icon on the cover indicates the product has passed FORDATA's thrice 100% QC. Otherwise not.</p> |  <p>TWICE SELECTION OF LED MATERIALS
This icon on the cover indicates the LED had passed FORDATA's twice strict selection which promises the product's identical color and brightness; Otherwise not.</p> |
|  <p>Vlcm = 3.0V
This icon on the cover indicates the product can work at 3.0V exactly; otherwise not.</p> |  <p>N SERIES TECHNOLOGY (2008 developed)
FORDATA adopts new structure, new craft, new technology and new materials inside both LCD module and LCD panel to improve the "RainBow"</p> |

BOOKBINDING AREA



FORDATA ELECTRONIC CO.,LTD
PROFESSIONAL LCD SUPPLIER FROM CHINA

STANDARD
DOC.

REVISION RECORD

PAGE

1/17

NO.	DATE	DESCRIPTION	ITEM	PAGE	APPROVED
1	2012.02	INITIAL ISSUED	ALL	ALL	LU BOO

BOOKBINDING AREA



FORDATA ELECTRONIC CO.,LTD
PROFESSIONAL LCD SUPPLIER FROM CHINA

**STANDARD
 DOC.**

CODE SYSTEM
 STANDARD COB

PAGE

2/17

1	2	3	4	5
FD	C	D	0001	A

No.	REMARKS	CODE	DESCRIPTION
1	Company Name Abbreviated	FD	FORDATA
2	IC packing	C	Chip On Board
		G	Chip On Glass
		T	TAB
		N	NO IC
3	IC packing	D	PURE COB / COG / TAB
		B	COB / COG / TAB / with PCB
4	SERIAL NUMBER	0001 ~ 9999	
5	VERSION CODE	A ~ Z	



1. GENERAL SPECIFICATIONS -----	Page 4
2. MECHANICAL SPECIFICATIONS -----	Page 4
3. ABSOLUTE MAXIMUM RATINGS -----	Page 4
4. ELECTRONICAL CHARACTERISTIC -----	Page 4
5. OPTICAL CHARACTERISTICS -----	Page 5
6. DC CHARACTERISTICS -----	Page 6
7. AC CHARACTERISTICS -----	Page 6
8. EXTERNAL DIMENSION-----	Page 8
9. PIN ASSIGNMENT -----	Page 9
10. BLOCK DIAGRAM-----	Page 9
11. POWER SUPPLY -----	Page 9
12. FUNCTIONAL DESCRIPTION -----	Page 10
13. INSTRUCTION -----	Page 13
14. DESCRIPTION OF COMMAND -----	Page 14
15. APPLICATION EXAMPLE -----	Page 16
16. PACKING DETAIL -----	Page 17

 FORDATA ELECTRONIC CO.,LTD PROFESSIONAL LCD SUPPLIER FROM CHINA	PRODUCT SPEC.	MODE NO.	PAGE	4/17
		FDCD0131H		

1. GENERAL SPECIFICATIONS

ITEM	NOMINAL DIMENSIONS / AVAILABLE OPTIONS
DISPLAY FORMAT	128 X 64 DOT MATRIX
LCD PANEL OPTIONS	STN (Blue color)
POLARIZER OPTIONS	Negative, Transmissive
BACKLIGHT OPTIONS	Edge type LED backlight (White color)
VIEWING ANGLE OPTIONS	6:00 (Bottom)
TEMPERATURE RANGE OPTIONS	Wide temperature range (-20°C ~ 70°C)
CONTROLLER IC	NT7107C+NT7108C
NEGATIVE IC	Built in
DISPLAY DUTY	1/64
DRIVING BIAS	1/9
REMARKS	FDCG12864B-NSWBBW-51BN + CHIP VERSION LED

2. MECHANICAL SPECIFICATIONS

OVERALL SIZE	LED backlight version :				93.0 x 70.0 x max 13.0	mm
VIEWING AREA	72.0W x 40.0H	mm	HOLE-HOLE	88.0W x 64.0H	mm	mm
DOT SIZE	0.48W x 0.48H	mm	DOT PITCH	0.04W x 0.04H	mm	mm
WEIGHT (EL BKL)	60.0	g	WEIGHT (LED BKL)	83.0	g	g

3. ABSOLUTE MAXIMUM RATINGS

ITEM	SYMBOL	CONDITION	MIN	MAX	UNIT
POWER SUPPLY (LOGIC)	Vdd	25°C	-0.3	7.0	V
POWER SUPPLY (LCD)	V0	25°C	Vdd -19.0	Vdd +0.3	V
INPUT VOLTAGE	Vin	25°C	-0.3	Vdd +0.3	V
OPERATING TEMPERATURE	Vopr	—	-20	70	°C
STORAGE TEMPERATURE	Vstg	—	-30	80	°C

4. ELECTRONICAL CHARACTERISTIC *

ITEM	SYMBOL	CONDITION	STANDARD			UNIT
			MIN	TYP	MAX	
Input voltage	Vdd	+5V	4.7	5.0	5.5	V
Supply current	Idd	Vdd=5V	—	2.1	—	mA
Recommended LCD driving voltage for normal temp. Version module	Vdd - V0	-20°C	8.40	—	9.00	V
		0°C	8.20	—	8.80	
		25°C	8.10	8.40	8.70	
		50°C	8.00	—	8.60	
		70°C	7.85	—	8.45	
LED forward voltage	Vf	25°C	2.9	—	3.4	V
LED forward current	If	25°C	—	45	60	mA
LED reverse Current	Ir	25°C	—	20	—	μA
LED color range	X coordinate	25°C If = 45mA	0.25	—	0.28	—
	Y coordinate	25°C If = 45mA	0.26	—	0.29	—
LED illuminance (Without LCD)	Lv	25°C If = 45mA	120	—	190	cd/m ²
LED life time	—	25°C If = 45mA	9K**	—	—	Hours

* The above data are for reference only.

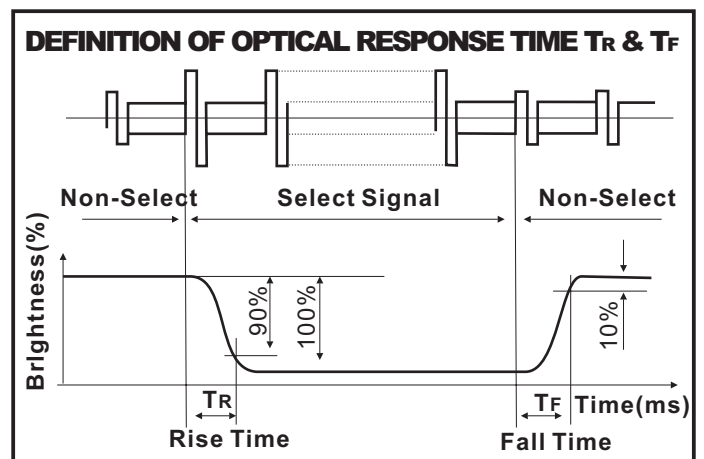
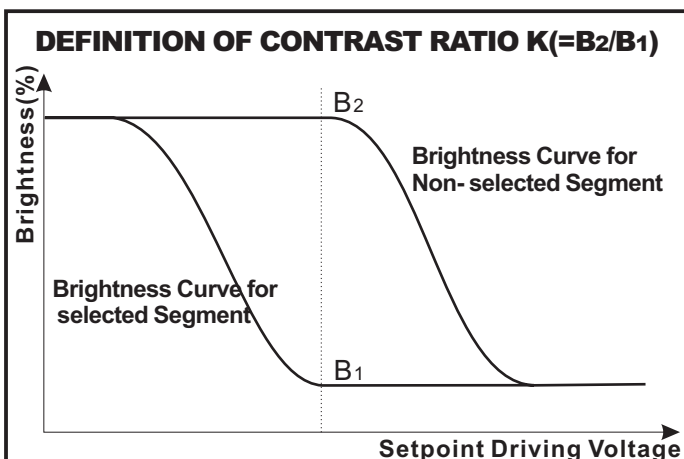
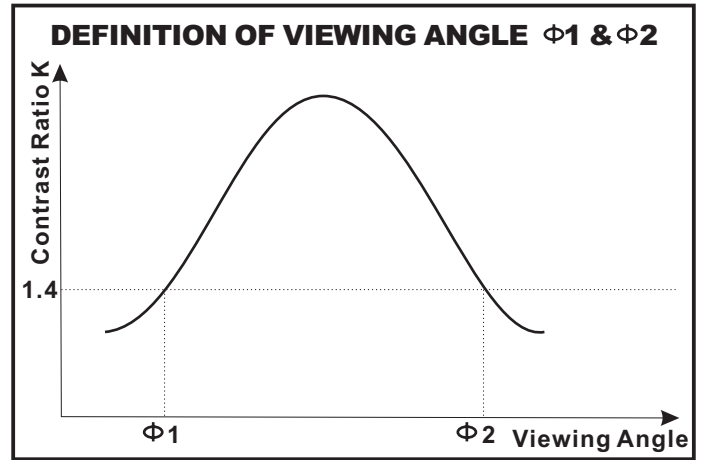
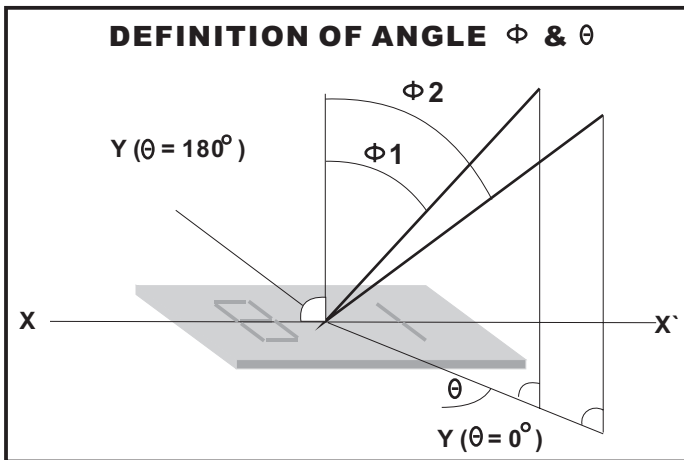
** The warranty period of FORDATA LCD module is 1YEAR counted from the date shown on the label of products.

** If you wanted to drive the LED BKL uninterruptedly exceed 12hours/day, you are not suggested this version

5. OPTICAL CHARACTERISTIC

FOR TN TYPE LCD MODULE ($T_A=25\text{ }^\circ\text{C}$, $V_{dd}=5.0V \pm 0.25V$)						
ITEM	SYMBOL	CONDITION	MIN	TYP	MAX	UNIT
VIEWING ANGLE	$\Phi 2-\Phi 1$	K=4	30	---	---	deg
	θ		25			
CONTRAST RATIO	K	---	---	2	---	---
RESPONSE TIME(RISE)	T_R	---	---	120	150	ms
RESPONSE TIME(FALL)	T_F	---	---	120	150	ms

FOR STN TYPE LCD MODULE ($T_A=25\text{ }^\circ\text{C}$, $V_{dd}=5.0V \pm 0.25V$)						
ITEM	SYMBOL	CONDITION	MIN	TYP	MAX	UNIT
VIEWING ANGLE	$\Phi 2-\Phi 1$	K=4	40	---	---	deg
	θ		60			
CONTRAST RATIO	K	---	---	6	---	---
RESPONSE TIME(RISE)	T_R	---	---	150	250	ms
RESPONSE TIME(FALL)	T_F	---	---	150	250	ms





6. DC CHARACTERISTIC

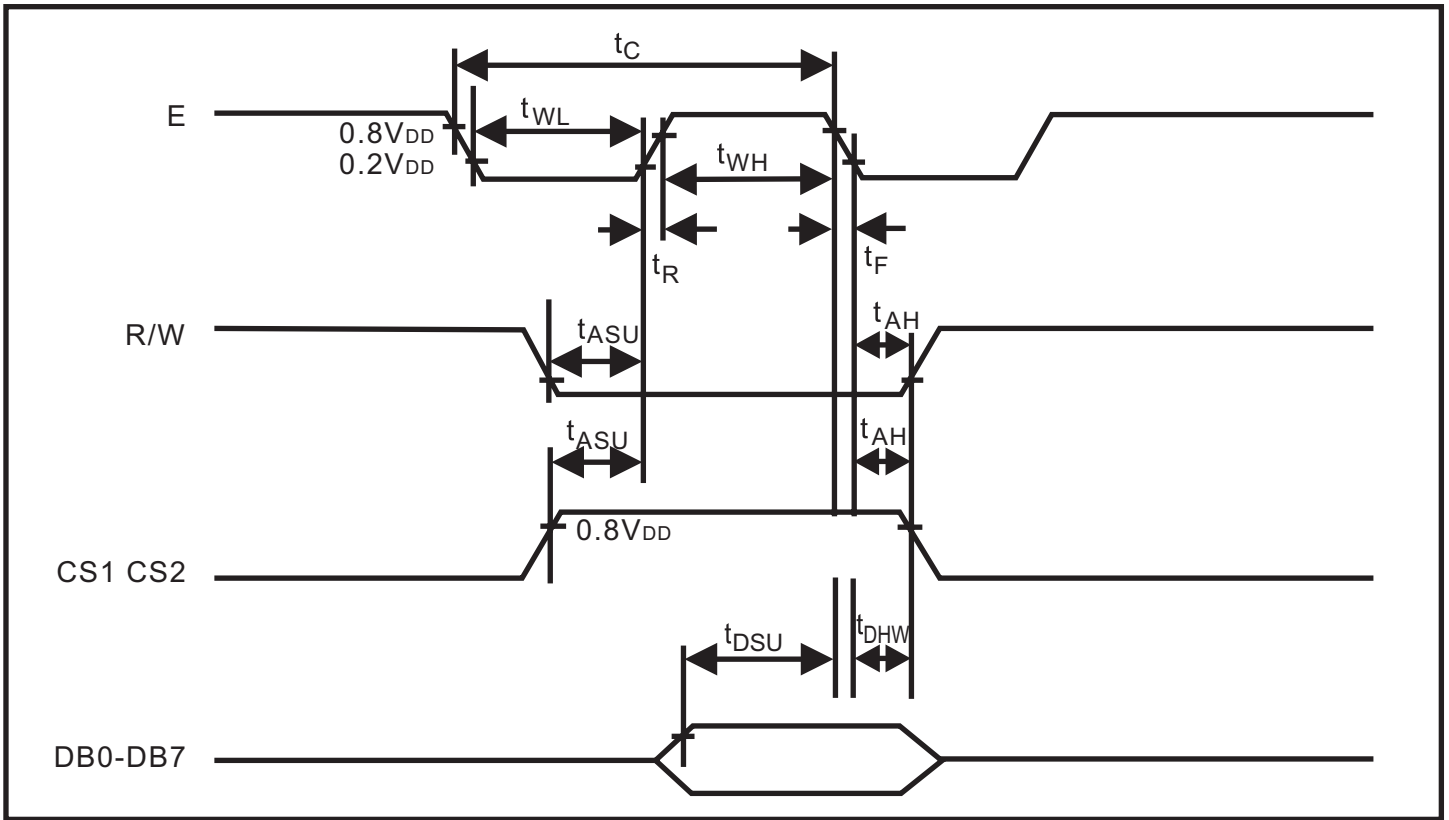
(Unless otherwise stated, VDD= +5V ± 10%, VSS=0V, Ta=25°C)

Parameter	Symbol	Condition	Min.	Typ.	Max.	Unit
High Level Input Voltage	VIH1	---	0.7VDD	---	VDD	V
	VIH2	---	0.7VDD	---	VDD	V
Low Level Input Voltage	VIL1	---	0	---	0.3VDD	V
	VIL2	---	0	---	0.8	V
High Level Output Voltage	VOH	IOH = - 200 μ A	2.4	---	---	V
Low Level Output Voltage	VOL	IOL = 1.6 mA	---	---	0.4	V
Input Leakage Current	ILKG	VIN = VDD to VSS	-1.0	---	1.0	μ A
Three-State (OFF) Input Current	ITSL	VIN = VDD to VSS	-5.0	---	5.0	μ A
Operating Current	IDD1	During Display	---	---	100	μ A
	IDD2	During Access, Access Cycle = 1MHz	---	---	500	μ A

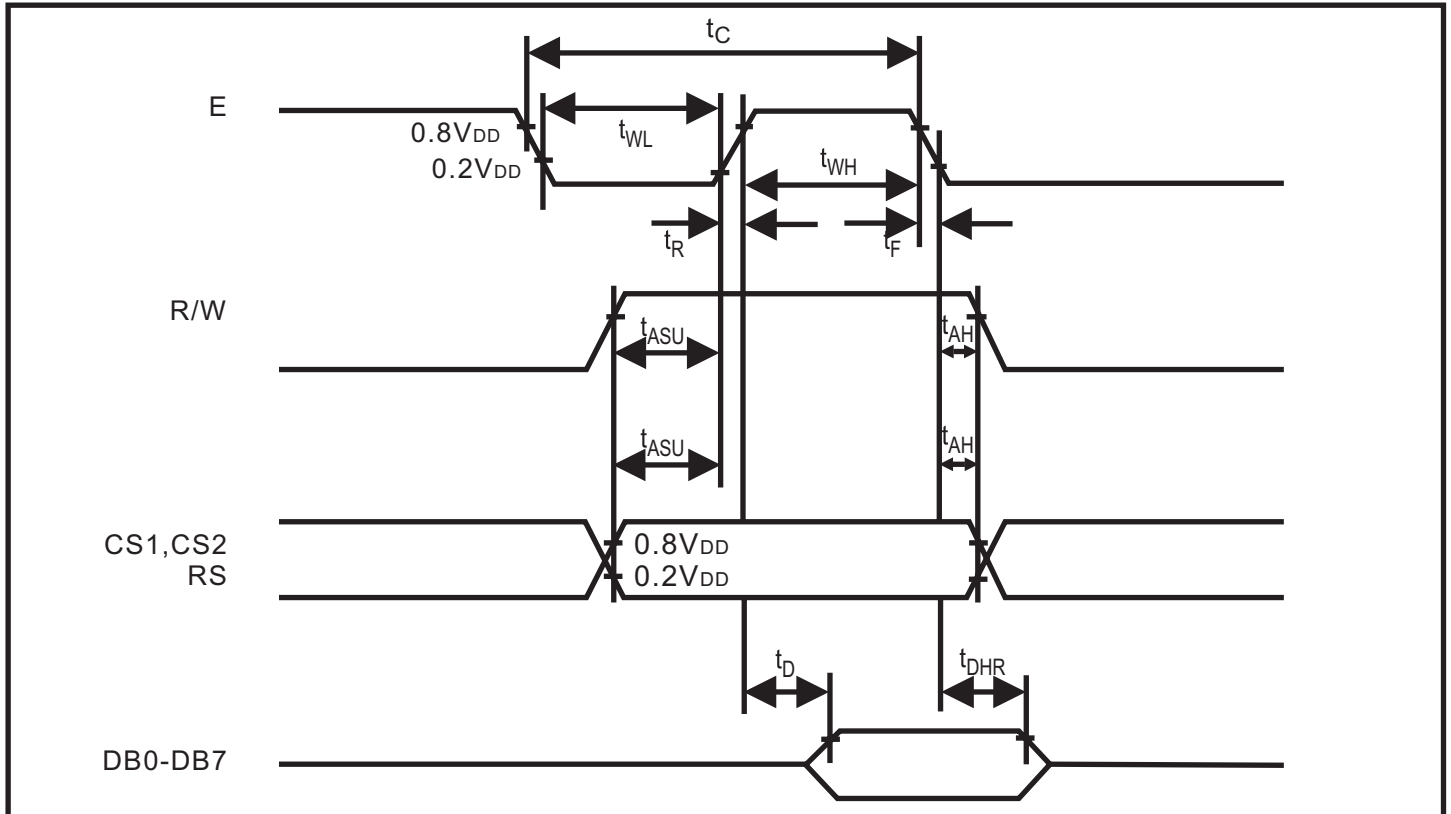
7. AC CHARACTERISTIC

Characteristic	Symbol	Min	Typ	Max	Unit
E Cycle	t _c	1000	—	—	ns
E High Level Width	t _{WH}	450	—	—	ns
E Low Level Width	t _{WL}	450	—	—	ns
E Rise Time	t _R	—	—	25	ns
E Fall Time	t _F	—	—	25	ns
Address Setup Time	t _{ASU}	140	—	—	ns
Address Hold Time	t _{AH}	10	—	—	ns
Data Setup Time	t _{DSU}	200	—	—	ns
Data Delay Time	t _D	—	—	320	ns
Data Hold Time (Write)	t _{DHW}	10	—	—	ns
Data Hold Time (Read)	t _{DHR}	20	—	—	ns

7.1 WRITE MODE TIMING DIAGRAM

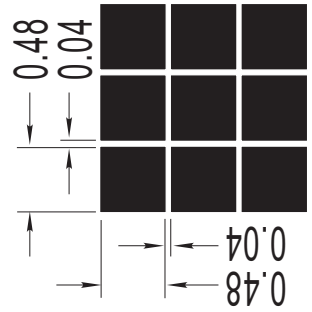
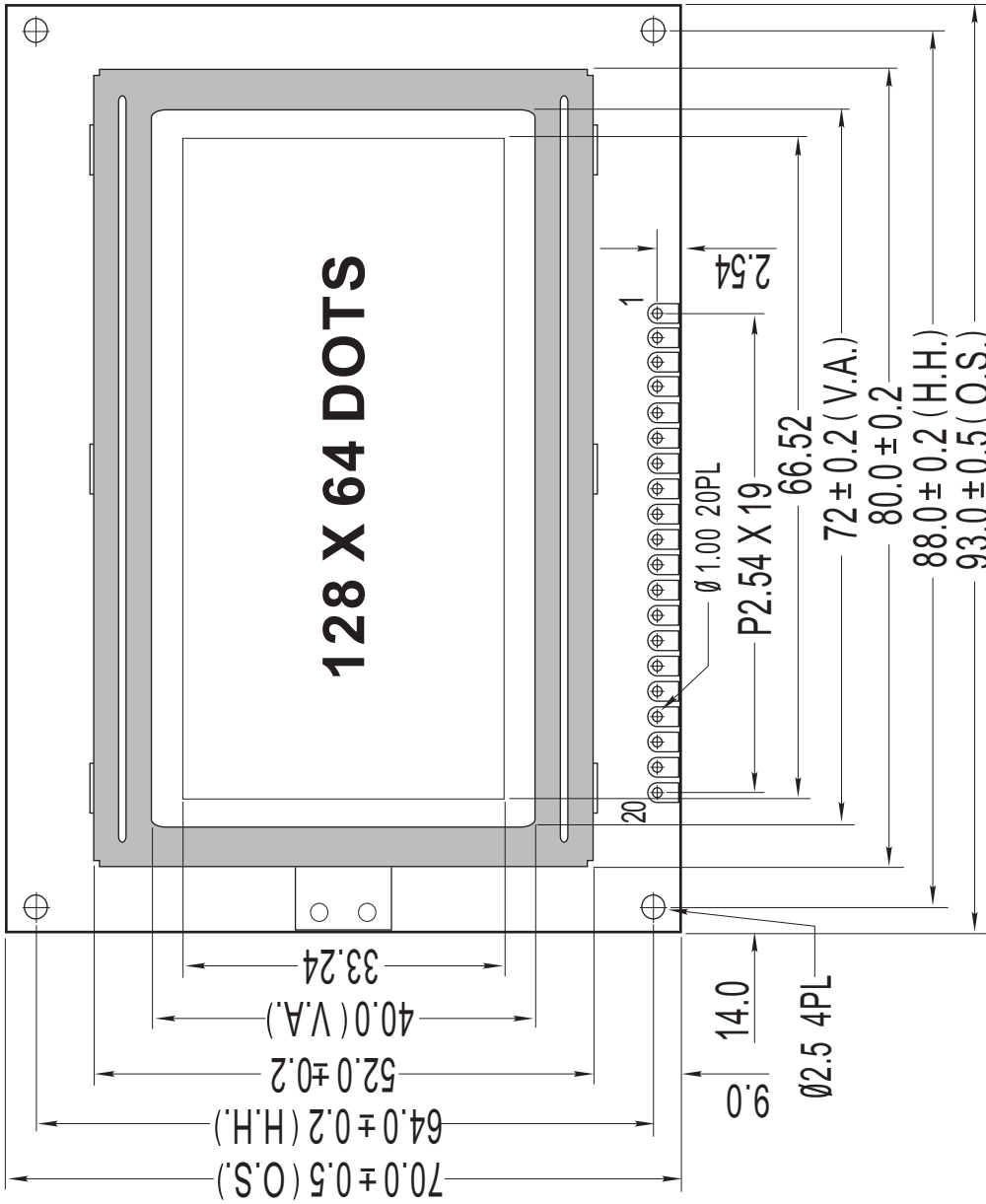


7.2 READ MODE TIMING DIAGRAM





8.EXTERNAL DIMENSIONS

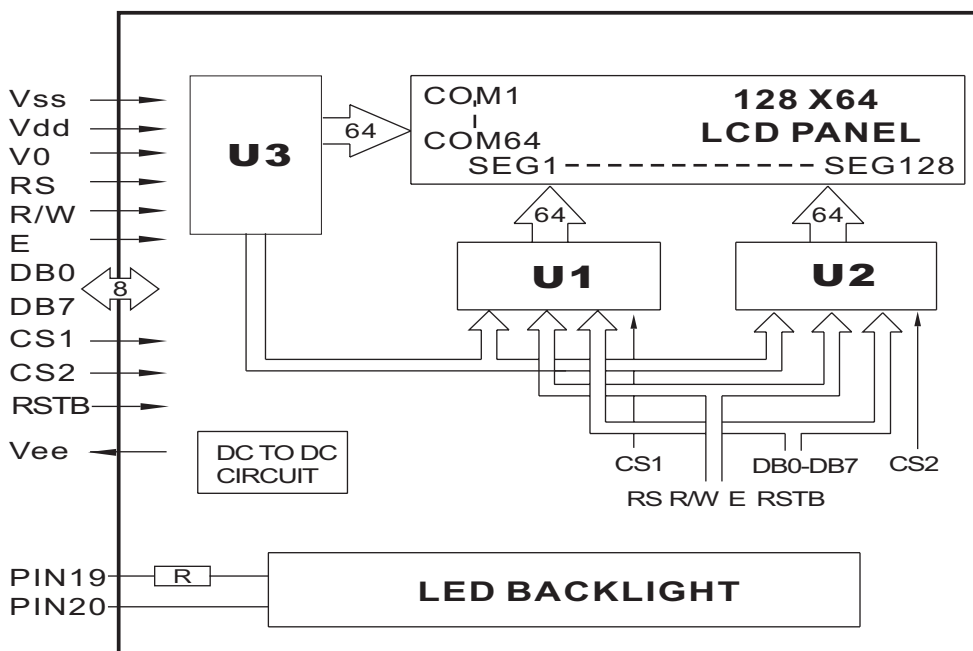


ITEM	T1	T2	UNIT
LED backlight	8.7	13.0	mm
EL or without backlight	4.6	9.0	mm

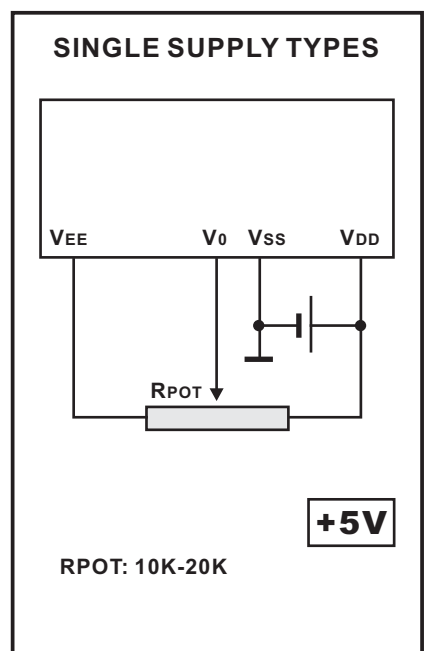
9. PIN ASSIGNMENT

PIN NO.	SYMBOL	FUNCTION	REMARK
1	Vss	Power Supply	0V
2	Vdd		+5V
3	V0		Contrast Adjust
4	RS	Register Select signal	
5	R/W	Read / Write	
6	E	Chip Enable signal	
7	DB0	Data Bit 0	
8	DB1	Data Bit 1	
9	DB2	Data Bit 2	
10	DB3	Data Bit 3	
11	DB4	Data Bit 4	
12	DB5	Data Bit 5	
13	DB6	Data Bit 6	
14	DB7	Data Bit 7	
15	CS1	When CS1=H,CS2=L, select U1	
16	CS2	When CS1=L,CS2=H, select U2	
17	RSTB	Reset signal	
18	Vee	Negative voltage output	
19	LED+	Anode of LED Unit	5.0V
20	LED-	Cathode of LED Unit	0V

10. BLOCK DIAGRAM



11. POWER SUPPLY





12. FUNCTIONAL DESCRIPTION

12.1 RESET

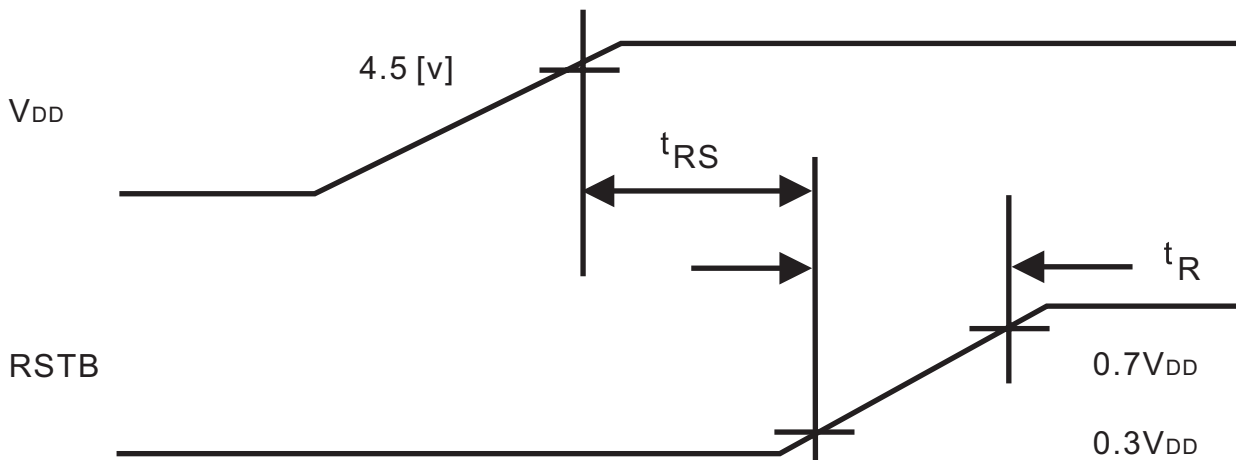
The system can be initialized by setting the RSTB to LOW when turning the power ON or by instruction from the MPU. When the RSTB is set to LOW, the following condition occurs:

1. The Display is turned OFF.
2. The Display Start Line register is set to 0 (Z-Address 0).

No instructions except the status read can be executed when the RSTB is LOW. This means that in order to execute other instructions, the RSTB must be cleared by setting DB4 to 0 and the DB7 set to 0 by status read instruction.

The table below shows the power supply initial conditions.

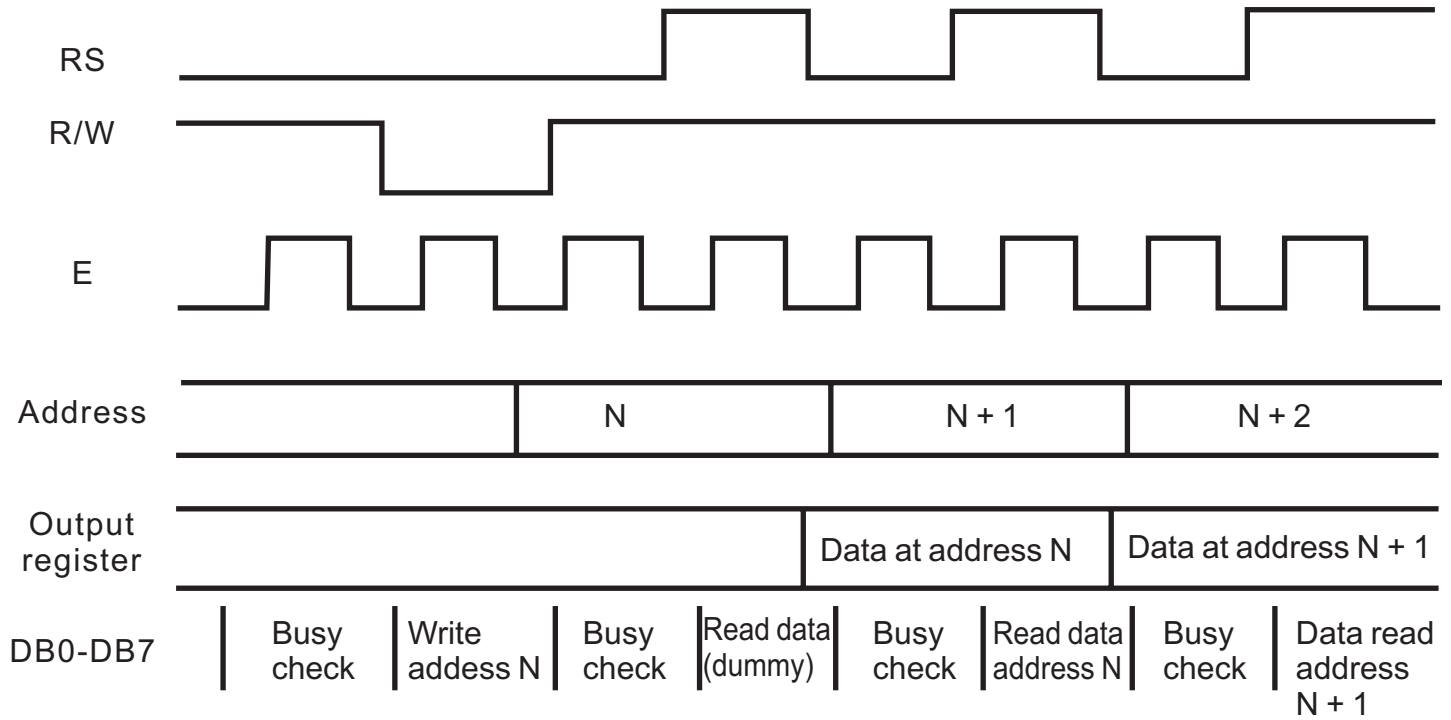
Parameter	Symbol	Min.	Typ.	Max.	Unit
Reset Time	t_{RS}	1.0	-	-	μS
Rise Time	t_R	-	-	200	nS



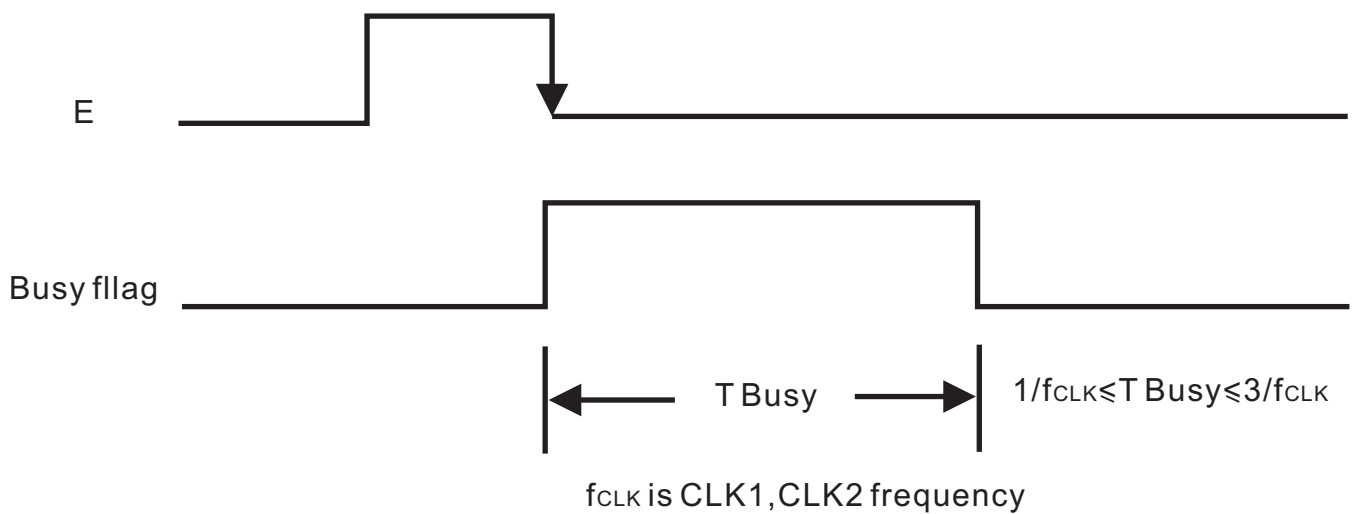


12.2 BUSY FLAG

The busy flag (DB7) is used to determine whether PT6608 is operating or not. When the busy flag is HIGH, internal operation is taking place. When the busy flag is LOW, Nt7108 can accept data or instructions. The busy check diagram is shown below.

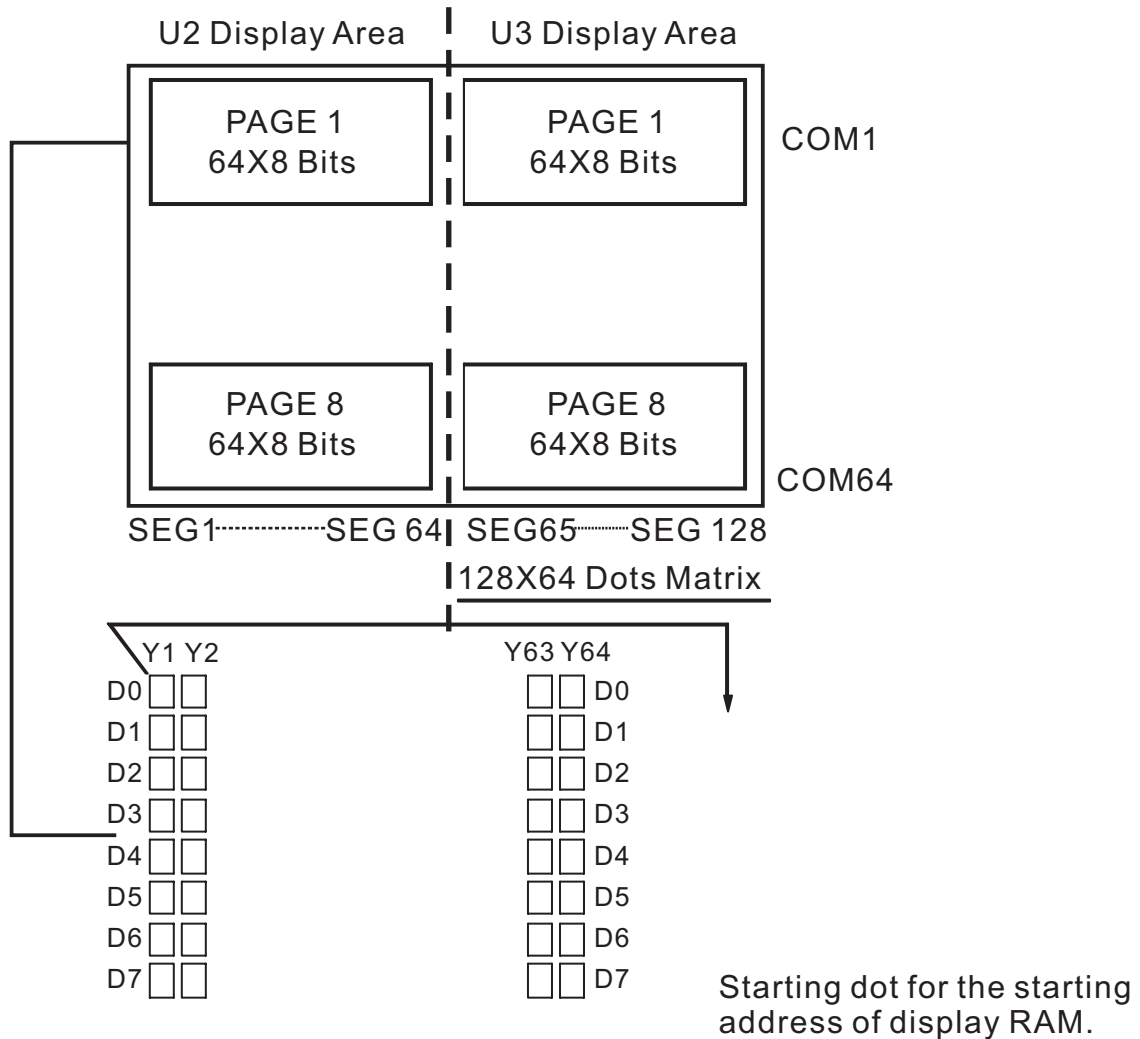


The busy flag diagram is shown below.





12.3 RELATION BETWEEN DISPLAY PATTERN AND DRIVERS



Each segment driver has 8 pages RAM, and each page has 64x8 bits RAM. D0~D7 are 8 bits transmitted data, where D0 is LSB and D7 is MSB.

12.4 DISPLAY DATA RAM

The Display Data RAM is used to store the display data for the liquid crystal display. Write data 1 is indicates an ON State of the LCDs dot matrix while the OFF State is written as 0. ADC Signal can control the Display Data RAM and the segment output. Please refer to the table below.

ADC *	Display Data
H	Y-Address 0:S1 to Y-Address 63:S64



13. INSTRUCTION

Instruction	RS	R/W	DB7	DB6	DB5	DB4	DB3	DB2	DB1	DB0	Function	
Display ON/OFF	L	L	L	L	H	H	H	H	H	L/H	Controls the display on or off. Internal status and display RAM data is not affected. L:OFF H:ON	
Set address (Y address)	L	L	L	H	Y address (0~63)						Sets the Y address in the Y address counter.	
Set Page (X address)	L	L	H	L	H	H	H	Page (0~7)			Sets the X address at the X address register.	
Display Start Line (Z address)	L	L	H	H	Display start line (0~63)						Indicates the display data RAM displayed at the top of the screen.	
Status Read	L	H	B U S Y	L	O N / O F F	R E S E T	L	L	L	L	BUSY L:Ready H:In operation ON/OFF L:Display ON H:Display OFF RESET L:Normal H:Reset	
Write Display Data	H	L	Write Data									Writes data (DB0:7) into display data RAM,After writing instruction,Y address is increased by 1 automatically.
Read Display Data	H	H	Read Data									Reads data (DB0:7) from display data RAM to the data bus.



14. DESCRIPTION OF COMMAND

Display On/Off

RS	R/W	DB7	DB6	DB5	DB4	DB3	DB2	DB1	DB0
0	0	0	0	1	1	1	1	1	D

The display data appears when D is 1 and disappears when D is 0.

Though the data is not on the screen with D=0, it remains in the display data RAM.

Therefore, you can make it appear by changing D=0 into D=1.

Set Address(Y Address)

RS	R/W	DB7	DB6	DB5	DB4	DB3	DB2	DB1	DB0
0	0	0	1	AC5	AC4	AC3	AC2	AC1	AC0

Y address (AC0-AC5) of the display data RAM is set in the Y address counter.

An address is set by instruction and increased by 1 automatically by read or write operations of display data.

Set Page(X Address)

RS	R/W	DB7	DB6	DB5	DB4	DB3	DB2	DB1	DB0
0	0	1	0	1	1	1	AC2	AC1	AC0

X address (AC0-AC2) of the display data RAM is set in the X address register.

Writing or reading to or from MPU is executed in this specified page until the next page is set.

Display Start Line(Z Address)

RS	R/W	DB7	DB6	DB5	DB4	DB3	DB2	DB1	DB0
0	0	1	1	AC5	AC4	AC3	AC2	AC1	AC0

Z address (AC0-AC5) of the display data RAM is set in the display start line register and displayed at the top of the screen.

When the display duty cycle is 1/64 or others(1/32-1/64), the data of total line number of LCD screen, from the line specified by display start line instruction, is displayed.



Status Read

RS	R/W	DB7	DB6	DB5	DB4	DB3	DB2	DB1	DB0
0	1	BUSY	0	ON/OFF	RESET	0	0	0	0

● **BUSY**

When BUSY is 1,the Chip is executing internal operation and no instructions are accepted.
 When BUSY is 0,the Chip is ready to accept any instructions.

● **ON/OFF**

When ON/OFF is 1,the display is on.
 When ON/OFF is 0,the display is off.

● **RESET**

When RESET is 1,the system is being initialized.
 In this condition, no instructions except status read can be accepted.
 When RESET is 0,initializing has finished and the system is in the usual operation condition.

Write Display Data

RS	R/W	DB7	DB6	DB5	DB4	DB3	DB2	DB1	DB0
1	0	D7	D6	D5	D4	D3	D2	D1	D0

Writes data (D0-D7) into the display data RAM.
 After writing instruction, Y address is increased by 1 automatically.

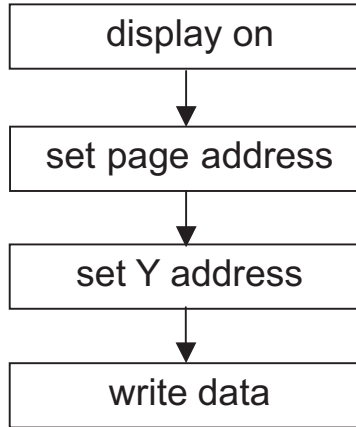
Read Display Data

RS	R/W	DB7	DB6	DB5	DB4	DB3	DB2	DB1	DB0
1	1	D7	D6	D5	D4	D3	D2	D1	D0

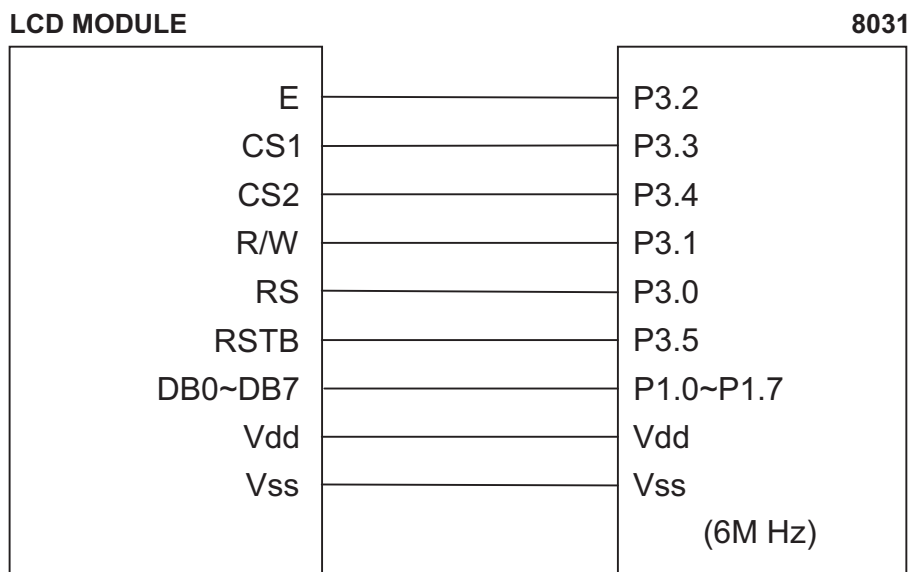
Reads data (D0-D7) from the display data RAM.
 After reading instruction, Y address is increased by 1 automatically.

15. APPLICATION EXAMPLE

Application Flowchart



Application Circuit

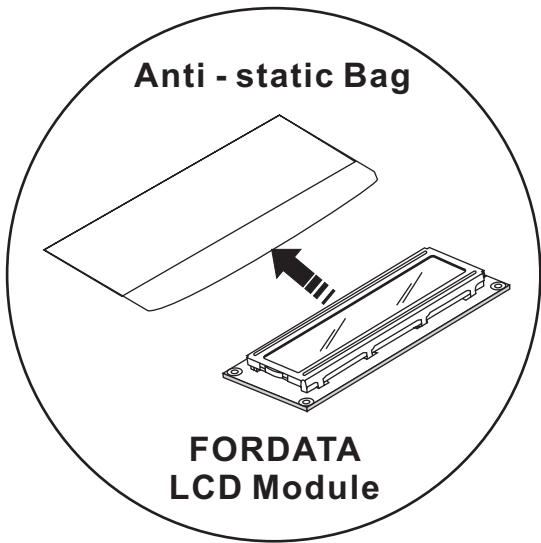


 FORDATA ELECTRONIC CO.,LTD PROFESSIONAL LCD SUPPLIER FROM CHINA	PRODUCT SPEC.	MODE NO.	PAGE 17/17
		FDCD0131H	

16. PACKING DETAIL

WITH LED BKL	WITHOUT LED BKL
30 PCS/BOX	30 PCS/BOX
8 BOXES/CARTON	8 BOXES/CARTON
240 PCS/CARTON	240 PCS/CARTON
19.00 KGS/CTN(G.W.)	17.00 KGS/CTN(G.W.)
0.07 M ³ /CARTON	0.07 M ³ /CARTON

NOTE
1. The weight is estimated for reference only.
2. Packing detail may be changed without notice.



BOX 

CARTON 

