



classic mono LCDs

SPECIFICATION

CUSTOM DESIGN

LCD MODULE



ITEM NUMBER:	FDCD0134A
ESTABLISHED DATE:	2010.04
INITIAL ISSUED DATE:	2010.04
DATASHEET VERSION:	2008 VERSION

ISSUED BY: 魏燕东 **CHECKED BY:** 李金凤 **APPROVED BY:** 李金凤

COPYRIGHT © 2000 ~ 2008 FORDATA ELECTRONIC CO., LTD. ALL RIGHTS RESERVED

 FORDATA ELECTRONIC CO.,LTD PROFESSIONAL LCD SUPPLIER FROM CHINA	STANDARD DOC.	DATASHEET STATEMENT
--	----------------------	----------------------------

- The following icons are absolutely designed by FORDATA independently in 2007-SEP. They are not in common use in the LCD industry yet but just used for marking out FORDATA products' characteristics quickly and simply without any special meaning. FORDATA reserves the composing right and copyright. No one else is allowed to adopt these icons without FORDATA's approval.
- The ISO9001 logo used in this document is authorized by SGS (www.sgs.com). FORDATA had already successfully passed the strict and professional ISO9001:2000 Quality Management System Certification and got the certificate (No.: CN07/00404)
- The technologies/techniques/crafts which denoted by the following icons are not exclusively owned by FORDATA, but also shared by FORDATA's LCD strategic cooperators, however all these technologies/techniques/crafts have been finally confirmed by FORDATA's professional engineers and QC department.
- As the difference in test standard and test conditions, also FORDATA's insufficient familiarity with the actual LCD using environment, all the referred information in this DATASHEET (including the icons) only have two functions:
 - providing quick reference when you are judging whether or not the product meets your requirements.
 - listing out definitely the tolerance.

FORDATA declares seriously: you should first test the corresponding sample(s) before signing the formal FORDATA SAMPLE APPROVAL document rather than consider this DATASHEET as the standard for judging whether or not the LCD meets your requirements. Once you instruct FORDATA to a mass-production without definite demand for providing sample before, FORDATA will disclaim all responsibility if the mass-production is proved not meeting with your requirements.

- The sequence of the icons is random and doesn't indicate the importance grade.
- Icons explanation



FORDATA's 2006 version logo. FORDATA is an integrated manufacturer of flat panel display (FPD). FORDATA supplies TN, HTN, STN, FSTN monochrome LCD panel; COB, COG, TAB LCD module; and all kinds of LED backlight.

classic mono LEDs



FAST RESPONSE TIME
This icon on the cover indicates the product is with high response speed; Otherwise not.



PROTECTION CIRCUIT
This icon on the cover indicates the product is with protection circuit; Otherwise not.



HIGH CONTRAST
This icon on the cover indicates the product is with high contrast; Otherwise not.



LONG LIFE VERSION
This icon on the cover indicates the product is long life version (over 9K hours guaranteed); Otherwise not.



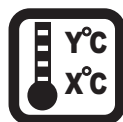
WIDE VIEWING SCOPE
This icon on the cover indicates the product is with wide viewing scope; Otherwise not.



Anti UV VERSION
This icon on the cover indicates the product is against UV line. Otherwise not.



RoHS COMPLIANCE
This icon on the cover indicates the product meets ROHS requirements; Otherwise not.



OPERATION TEMPERATURE RANGE
This icon on the cover indicates the operating temperature range (X-Y).



3TIMES 100% QC EXAMINATION
This icon on the cover indicates the product has passed FORDATA's thrice 100% QC. Otherwise not.



TWICE SELECTION OF LED MATERIALS
This icon on the cover indicates the LED had passed FORDATA's twice strict selection which promises the product's identical color and brightness; Otherwise not.



V1cm = 3.0V
This icon on the cover indicates the product can work at 3.0V exactly; otherwise not.



N SERIES TECHNOLOGY (2008 developed)
FORDATA adopts new structure, new craft, new technology and new materials inside both LCD module and LCD panel to improve the "RainBow"

BOOKBINDING AREA



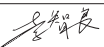
FORDATA ELECTRONIC CO.,LTD
PROFESSIONAL LCD SUPPLIER FROM CHINA

STANDARD
DOC.

REVISION RECORD

PAGE

1/8

NO.	DATE	DESCRIPTION	ITEM	PAGE	APPROVED
1	2010.04	INITIAL ISSUED	ALL	ALL	FDZ82 

BOOKBINDING AREA



FORDATA ELECTRONIC CO.,LTD
PROFESSIONAL LCD SUPPLIER FROM CHINA

**STANDARD
 DOC.**

CODE SYSTEM
CUSTOM DESIGN

PAGE

2/8

1	2	3	4	5
FD	C	D	0001	A

No.	REMARKS	CODE	DESCRIPTION
1	Company Name Abbreviated	FD	FORDATA
2	IC packing	C	Chip On Board
		G	Chip On Glass
		T	TAB
		N	NO IC
3	CUSTOM DESIGN	D	PURE COB / COG / TAB
		B	COB / COG / TAB / with PCB
4	SERIAL NUMBER	0001 ~ 9999	
5	VERSION CODE	A ~ Z	



1. GENERAL SPECIFICATIONS -----	Page 4
2. MECHANICAL SPECIFICATIONS -----	Page 4
3. ABSOLUTE MAXIMUM RATINGS -----	Page 4
4. ELECTRONICAL CHARACTERISTIC -----	Page 4
5. OPTICAL CHARACTERISTICS -----	Page 5
6. EXTERNAL DIMENSION-----	Page 6
7. PIN ASSIGNMENT -----	Page 7
8. POWER SUPPLY -----	Page 7
9. INSTRUCTION -----	Page 7
10.PACKING DETAIL -----	Page 8


1. GENERAL SPECIFICATIONS

ITEM	NOMINAL DIMENSIONS / AVAILABLE OPTIONS
DISPLAY FORMAT	20 Characters by 2 Lines
LCD PANEL OPTIONS	STN (Yellow-green color)
POLARIZER OPTIONS	Positive, Transflective
BACKLIGHT OPTIONS	Edge type LED backlight (White color)
VIEWING ANGLE OPTIONS	6:00 (Bottom)
TEMPERATURE RANGE OPTIONS	Temperature range (-30°C ~ 60°C)
CONTROLLER IC	SITRONIX(ST7070)
DISPLAY DUTY	1/16
DRIVING BIAS	1/5
REMARKS	V _{icm} : 3. 0V V _{lcd} : 4. 5V V _{led} : 3. 0V

2. MECHANICAL SPECIFICATIONS

OVERALL SIZE	LED backlight version : 84.0 x 44.0 x max 13.5				mm
VIEWING AREA	69.6W x 14.4H	mm	HOLE-HOLE	79.0W x 36.0H	mm
CHARACTER SIZE	2.9W x 5.0H	mm	CHARACTER PITCH	0.4Wx0.4H	mm
DOT SIZE	0.54W x 0.59H	mm	DOT PITCH	0.05W x 0.04H	mm

3. ABSOLUTE MAXIMUM RATINGS

ITEM	SYMBOL	CONDITION	MIN	MAX	UNIT
POWER SUPPLY (LOGIC)	V _{dd}	25°C	-0.3	7.0	V
POWER SUPPLY (LCD)	V ₀	25°C	V _{dd} -13.5	V _{dd} +0.3	V
INPUT VOLTAGE	V _{in}	25°C	-0.3	V _{dd} +0.3	V
OPERATING TEMPERATURE	V _{opr}	—	-30	60	°C
STORAGE TEMPERATURE	V _{stg}	—	-30	80	°C

4. ELECTRONICAL CHARACTERISTIC*

ITEM	SYMBOL	CONDITION	STANDARD			UNIT
			MIN	TYP	MAX	
Input voltage	V _{dd}	+3V	2.8	3.0	3.2	V
Supply current	I _{dd}	V _{dd} =3V	—	2	—	mA
Recommended LCD driving voltage for normal temp. Version module	V _{dd} - V ₀	-30°C	4.65	—	5.30	V
		0°C	4.20	—	4.65	
		25°C	4.10	—	4.60	
		60°C	4.00	—	4.50	
LED forward voltage	V _f	25°C	2.8	—	3.2	V
LED forward current	I _f	25°C	—	22	—	mA
LED reverse Current	I _r	25°C	—	—	100	μA
LED Peak wave length	λ _p	25°C I _f = 22mA	—	—	—	nm
LED illuminance (Without LCD)	L _v	25°C I _f = 22mA	250	310	—	cd/m ²
LED life time	—	25°C I _f = 22mA	9K**	—	—	Hours

* The above data are for reference only.

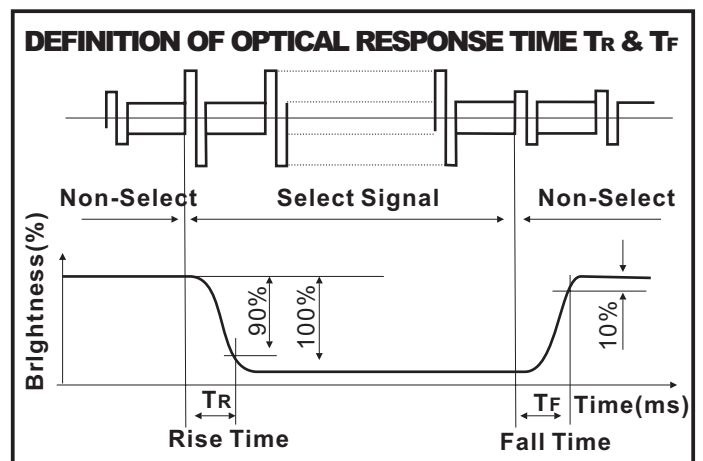
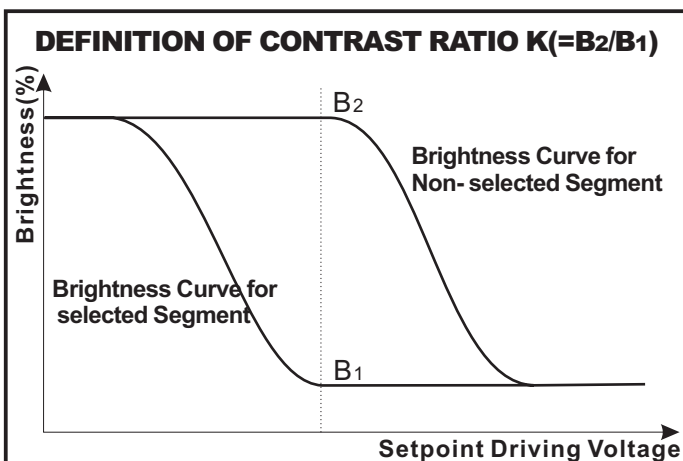
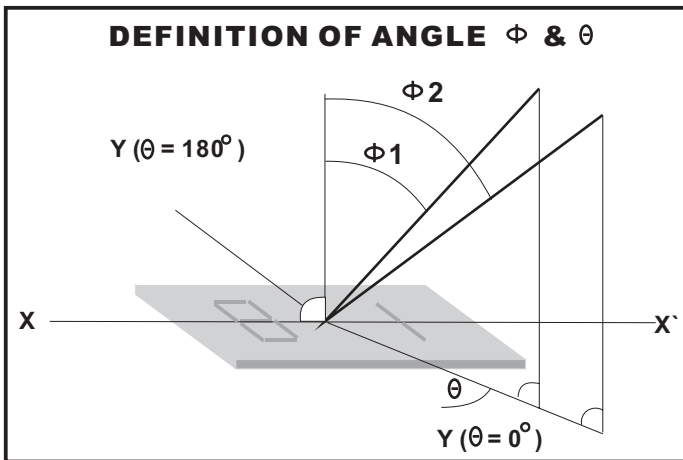
** The warranty period of FORDATA LCD module is 1YEAR counted from the date shown on the label of products.

 FOR DATA ELECTRONIC CO., LTD PROFESSIONAL LCD SUPPLIER FROM CHINA	PRODUCT SPEC.	MODE NO.	PAGE	5/8
		FDCD0134A		

5. OPTICAL CHARACTERISTIC

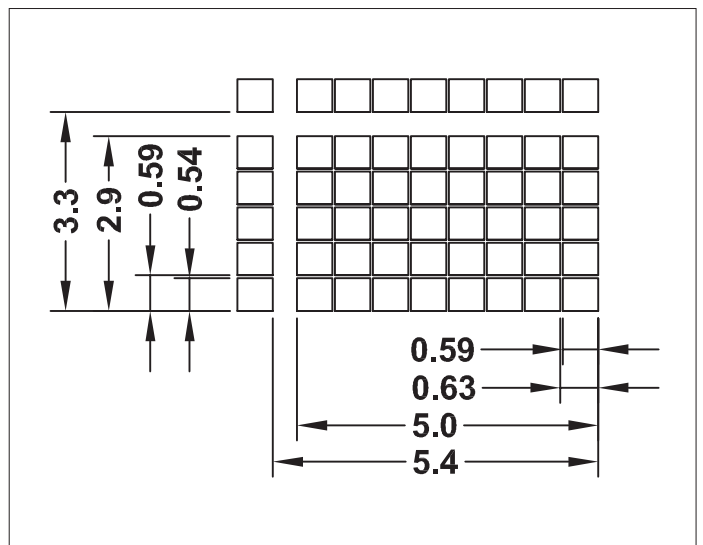
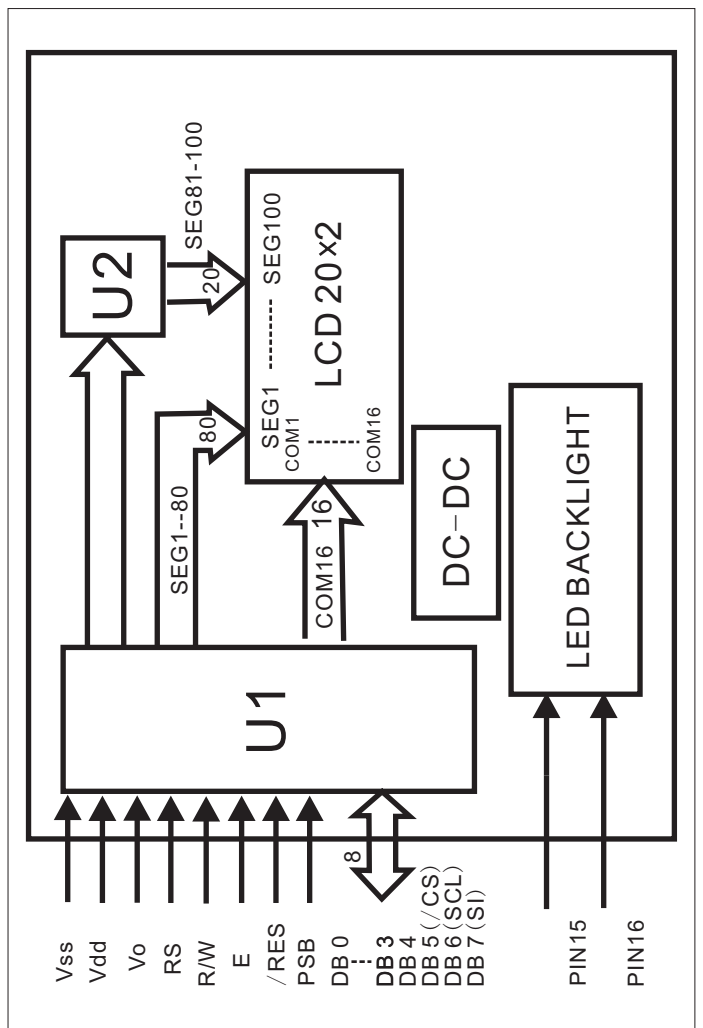
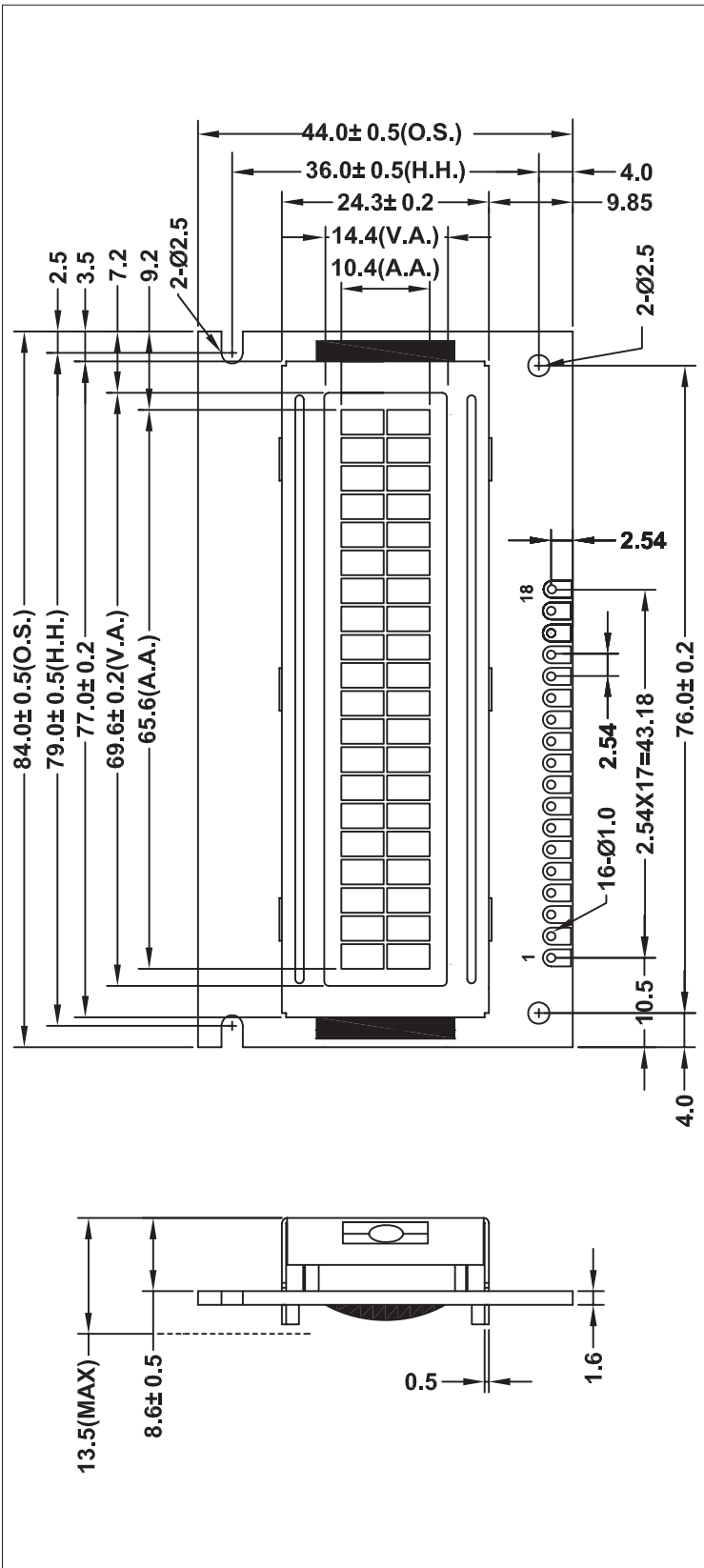
FOR TN TYPE LCD MODULE ($T_A=25^\circ\text{C}$, $V_{dd}=3.0\text{V} \pm 0.25\text{V}$)						
ITEM	SYMBOL	CONDITION	MIN	TYP	MAX	UNIT
VIEWING ANGLE	$\Phi 2 - \Phi 1$	K=4	30	---	---	deg
	θ		25			
CONTRAST RATIO	K	---	---	2	---	---
RESPONSE TIME(RISE)	T_R	---	---	120	150	ms
RESPONSE TIME(FALL)	T_F	---	---	120	150	ms

FOR STN TYPE LCD MODULE ($T_A=25^\circ\text{C}$, $V_{dd}=3.0\text{V} \pm 0.25\text{V}$)						
ITEM	SYMBOL	CONDITION	MIN	TYP	MAX	UNIT
VIEWING ANGLE	$\Phi 2 - \Phi 1$	K=4	40	---	---	deg
	θ		60			
CONTRAST RATIO	K	---	---	6	---	---
RESPONSE TIME(RISE)	T_R	---	---	150	250	ms
RESPONSE TIME(FALL)	T_F	---	---	150	250	ms





6. EXTERNAL DIMENSIONS

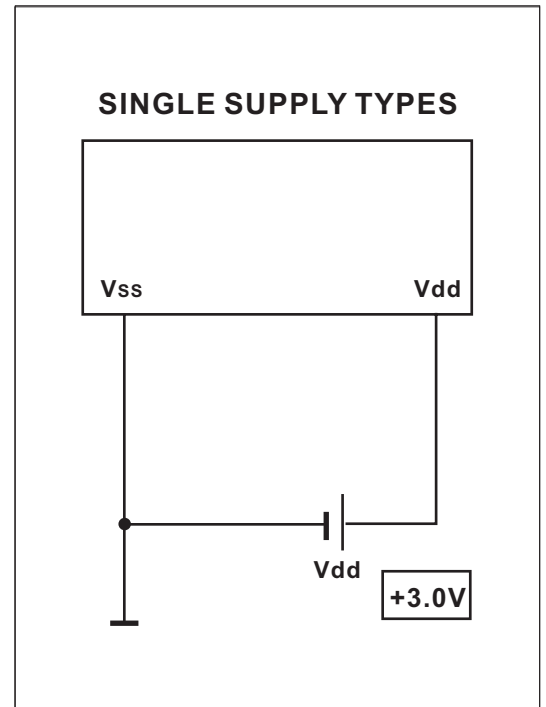




7. PIN ASSIGNMENT

PIN	SYMBOL	FUNCTION
1	Vss	GND
2	Vdd	Power supply for LCM (+3.0V)
3	V0	NC
4	RS	Register Select Signal
5	R/W	Data Read / Write
6	E	Enable Signal
7-10	DB0-DB3	Four low order bi-directional tristate data bus pins. For data These pins are not used during 4-bit operation and serial interface. must pull height, not floating.
11-14	DB4-DB7	Four high order bi-directional tristate data bus pins. Serial: DB5: chip select pin for serialmode (/CS) DB6: serial clock input for serial mode (SCL) DB7: data input pin for serial mode (SI) When serial interface select, Db4 pull height, not floating 4-bits mode: These pins are used during 4-bit operation.
15	LED+	Power supply for BKL (+3.0V)
16	LED-	Power supply for BKL (0V)
17	/RES	Hardware reset pin, Low active
18	PSB	Paralled/serial selection. PSB: "1" (parelled), "0" (serial)

8. POWERSUPPLY



9. INSTRUCTION

Detailed Information please refer to the other one file, the datasheet for St7070.

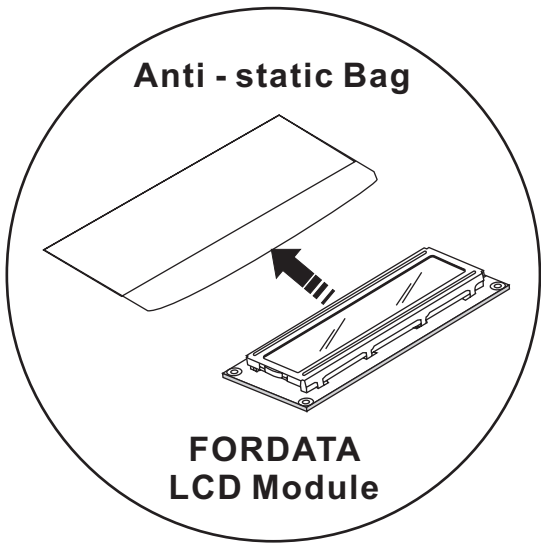
BOOKBINDING AREA

 FORDATA ELECTRONIC CO.,LTD PROFESSIONAL LCD SUPPLIER FROM CHINA	PRODUCT SPEC.	MODE NO.	PAGE	8/8
		FDCD0134A		

10. PACKING DETAIL

WITH LED BKL	WITHOUT LED BKL
45 PCS/BOX	45 PCS/BOX
10 BOXES/CARTON	10 BOXES/CARTON
450 PCS/CARTON	450 PCS/CARTON
18.00 KGS/CTN(G.W.)	16.00 KGS/CTN(G.W.)
0.07 M ³ /CARTON	0.07 M ³ /CARTON

NOTE
1. The weight is estimated for reference only.
2. Packing detail may be changed without notice.



BOX 

CARTON 

