


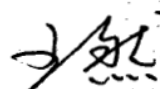


Product Specification

Product Name: VGM128064B1B03

Product Code: M00596

Customer
Approved by Customer
Approved Date:

Designed By	Checked By	Approved By	
		R&D	QA
 2011.2.21	 2011.2.21	 2011.2.21	 2011.2.21

CONTENT

REVISION RECORD	3
1 OVERVIEW	4
2 FEATURES	4
3 MECHANICAL DATA	4
4 MECHANICAL DRAWING	5
5 MODULE INTERFACE	6
6 FUNCTION BLOCK DIAGRAM	7
6.1 FUNCTION BLOCK DIAGRAM.....	7
6.2 PANEL LAYOUT DIAGRAM	7
7 ABSOLUTE MAXIMUM RATINGS	8
8 ELECTRICAL CHARACTERISTICS	8
8.1 DC ELECTRICAL CHARACTERISTICS	8
8.2 ELECTRO-OPTICAL CHARACTERISTICS	9
8.3 AC ELECTRICAL CHARACTERISTICS	10
9 FUNCTIONAL SPECIFICATION AND APPLICATION CIRCUIT	14
9.1 POWER ON AND POWER OFF SEQUENCE.....	14
9.2 APPLICATION CIRCUIT.....	15
9.3 EXTERNAL DC-DC APPLICATION CIRCUIT	19
9.4 DISPLAY CONTROL INSTRUCTION.....	20
9.5 RECOMMENDED SOFTWARE INITIALIZATION	20
10 PACKAGE SPECIFICATION	21
11 RELIABILITY	22
11.1 RELIABILITY TEST.....	22
11.2 LIFETIME.....	22
11.3 FAILURE CHECK STANDARD.....	22
12 ILLUSTRATION OF OLED PRODUCT NAME	23
13 OUTGOING QUALITY CONTROL SPECIFICATIONS	24
13.1 SAMPLING METHOD	24
13.2 INSPECTION CONDITIONS	24
13.3 QUALITY ASSURANCE ZONES.....	24
13.4 INSPECTION STANDARD.....	25
14 PRECAUTIONS FOR OPERATION AND STORAGE	28
14.1 PRECAUTIONS FOR OPERATION	28
14.2 SOLDERING	28
14.3 PRECAUTIONS FOR STORAGE.....	28
14.4 WARRANTY PERIOD.....	28

1 Overview

VGM128064B1B03 is a monochrome OLED display module with 128×64 dot matrix. The characteristics of this display module are high brightness, self-emission, high contrast ratio, slim/thin outline, wide viewing angle, wide temperature range, and low power consumption.

2 Features

- Display Color: Blue
- Dot Matrix: 128×64
- Driver IC: SSD1305Z
- Interface: 8-bit 8080, 8-bit 6800, SPI, I²C
- Wide range of operating temperature: -40°C to 70°C

3 Mechanical Data

NO.	ITEM	SPECIFICATION	UNIT
1	Dot Matrix	128(W)×64(H)	-
2	Dot Size	0.254(W)×0.254 (H)	mm ²
3	Dot Pitch	0.274(W)×0.274 (H)	mm ²
4	Aperture Rate	86	%
5	Active Area	35.052(W)×17.516 (H)	mm ²
6	Panel Size	42.04(W)×27.22 (H) ×1.2 (T)	mm ³
7	Module Size	42.04 (W)×70.62 (H) ×1.4 (T)	mm ³
8	Diagonal A/A Size	1.54	inch
9	Module Weight	3.23±10%	gram

4 Mechanical Drawing

如本印章非红色, 则表明该文件为非受控版本, 不会受到控制和更新. 请使用受控文件.
受控章
分发号:

Specification:
 1. Display: OLED (Blue)
 2. Format: 128*64
 3. Driver IC: SSD1305Z
 4. DUTY: 1/64
 5. Operate Temp: -40° C ~ 70° C
 Storage Temp: -40° C ~ 85° C
 6. General Tolerance: ±0.3
 7. ROHS Compliant

Customer Approval Signature	Part Name	Module Ass'y	Date	Rev.	Unit	Sheet
	Project Code	00596	2011.02.10	02	mm	1/1
	Part No.	00596-MA1-B	DES'D BY	CHK'D BY	CHK'D BY	APPROVED

Rev.	Date	Note
1	2009.11.17	Primary
2	2011.02.10	1. Add FPC PI coverlay 2. Change the thickness of Panel

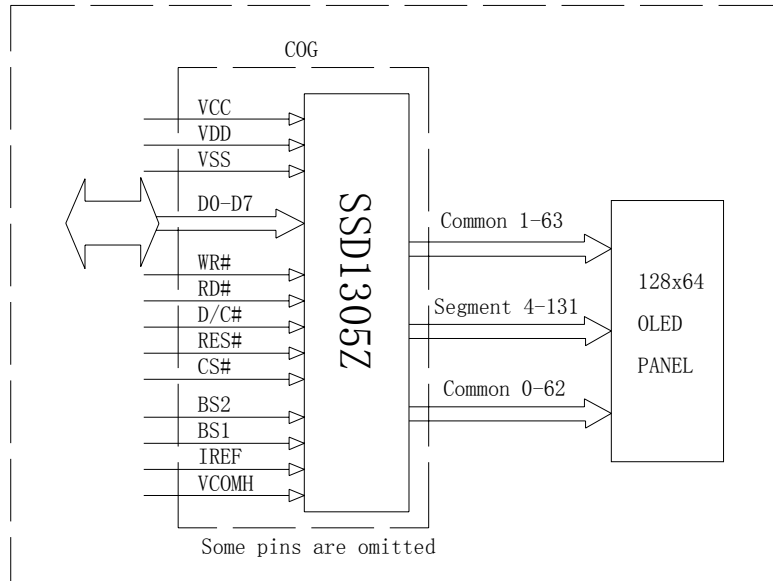
Pin Assignment NO.	SYMBOL
1	NC
2	VSS
3	VSS
4	NC
5	VDD
6	BS1
7	BS2
8	CS#
9	RES#
10	D/C#
11	WR#
12	RD#
13	DO
14	D1
15	D2
16	D3
17	D4
18	D5
19	D6
20	D7
21	REF
22	VCOMH
23	VCC
24	NC

5 Module Interface

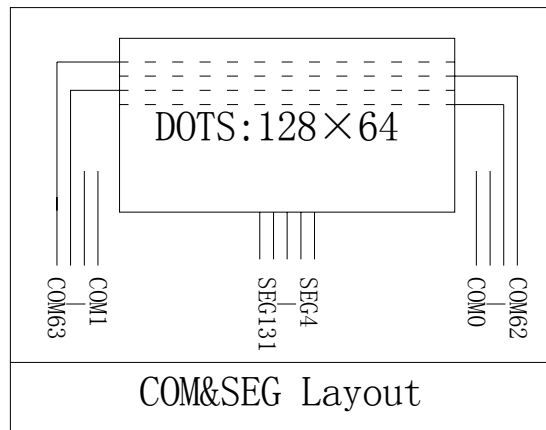
PIN NO.	PIN NAME	DESCRIPTION																																																					
1	NC	No Connection.																																																					
2~3	VSS	Ground.																																																					
4	NC	No Connection.																																																					
5	VDD	Power supply pin for core logic operation.																																																					
6	BS1	MCU bus interface selection pins. <table border="1"> <thead> <tr> <th>Pin Name</th> <th>I²C Interface</th> <th>6800-parallel interface (8 bit)</th> <th>8080-parallel interface (8 bit)</th> <th>Serial interface</th> </tr> </thead> <tbody> <tr> <td>BS1</td> <td>1</td> <td>0</td> <td>1</td> <td>0</td> </tr> <tr> <td>BS2</td> <td>0</td> <td>1</td> <td>1</td> <td>0</td> </tr> </tbody> </table>	Pin Name	I ² C Interface	6800-parallel interface (8 bit)	8080-parallel interface (8 bit)	Serial interface	BS1	1	0	1	0	BS2	0	1	1	0																																						
Pin Name	I ² C Interface		6800-parallel interface (8 bit)	8080-parallel interface (8 bit)	Serial interface																																																		
BS1	1		0	1	0																																																		
BS2	0	1	1	0																																																			
7	BS2																																																						
8	CS#	Chip Select, active low. In I ² C mode, this pin should be connected to VSS.																																																					
9	RES#	Reset, active low.																																																					
10	D/C#	H:Data; L :Command.In I ² C mode, this pin acts as SA0 for slave address selection.																																																					
11	WR#	8080: Write; 6800: Read/Write select pin; SPI or I ² C:connected to VSS.																																																					
12	RD#	8080: Read; 6800: Read/Write enable pin; SPI or I ² C:connected to VSS.																																																					
13~20	D0~D7	Data bus. <table border="1"> <thead> <tr> <th rowspan="2">Pin Name Bus Interface</th> <th colspan="8">Data/Command Interface</th> </tr> <tr> <th>D7</th> <th>D6</th> <th>D5</th> <th>D4</th> <th>D3</th> <th>D2</th> <th>D1</th> <th>D0</th> </tr> </thead> <tbody> <tr> <td>8-bit 8080</td> <td colspan="8">D[7:0]</td> </tr> <tr> <td>8-bit 6800</td> <td colspan="8">D[7:0]</td> </tr> <tr> <td>SPI</td> <td colspan="5">Tie LOW</td> <td>NC</td> <td>SDIN</td> <td>SCLK</td> </tr> <tr> <td>I²C</td> <td colspan="5">Tie LOW</td> <td>SDA_{OUT}</td> <td>SDA_{IN}</td> <td>SCL</td> </tr> </tbody> </table>	Pin Name Bus Interface	Data/Command Interface								D7	D6	D5	D4	D3	D2	D1	D0	8-bit 8080	D[7:0]								8-bit 6800	D[7:0]								SPI	Tie LOW					NC	SDIN	SCLK	I ² C	Tie LOW					SDA _{OUT}	SDA _{IN}	SCL
Pin Name Bus Interface	Data/Command Interface																																																						
	D7	D6	D5	D4	D3	D2	D1	D0																																															
8-bit 8080	D[7:0]																																																						
8-bit 6800	D[7:0]																																																						
SPI	Tie LOW					NC	SDIN	SCLK																																															
I ² C	Tie LOW					SDA _{OUT}	SDA _{IN}	SCL																																															
21	IREF	This is a segment current reference pin. A resistor should be connected between this pin and VSS. Set the current at 10uA.																																																					
22	VCOMH	The pin for COM signal deselected voltage level. A capacitor should be connected between this pin and VSS.																																																					
23	VCC	Power supply for panel driving voltage.																																																					
24	NC	No Connection.																																																					

6 Function Block Diagram

6.1 Function Block Diagram



6.2 Panel Layout Diagram



7 Absolute Maximum Ratings

ITEM	SYMBOL	MIN	MAX	UNIT	REMARK
Logic supply voltage	VDD	-0.3	4.0	V	IC maximum rating
OLED Operating voltage	VCC	0	16	V	IC maximum rating
Operating Temp.	Top	-40	70	°C	-
Storage Temp	Tstg	-40	85	°C	-

Note (1): All of the voltages are on the basis of “VSS = 0V”.

Note (2): Permanent breakage of module may occur if the module is used beyond the maximum rating. The module can be normal operated under the conditions according to Section 8 “Electrical Characteristics”. Malfunctioning of the module may occur and the reliability of the module may deteriorate if the module is used beyond the conditions.

8 Electrical Characteristics

8.1 DC Electrical Characteristics

ITEM	SYMBOL	TEST CONDITION	MIN	TYPE	MAX	UNIT
Logic Supply Voltage	VDD	22±3°C, 55±15%R.H	2.4	3.0	3.5	V
OLED Driver Supply Voltage	VCC	22±3°C, 55±15%R.H	12.5	13	13.5	V
High-level Input Voltage	V _{IH}	-	0.8×VDD	-	-	V
Low-level Input Voltage	V _{IL}	-	-	-	0.2×VDD	V
High-level Output Voltage	V _{OH}	-	0.9×VDD	-	-	V
Low-level Output Voltage	V _{OL}	-	-	-	0.1×VDD	V

Note : The VCC input must be kept in a stable value; ripple and noise are not allowed.

8.2 Electro-optical Characteristics

ITEM	SYMBOL	TEST CONDITION	MIN	TYPE	MAX	UNIT
Normal Mode Brightness	L _{br}	All pixels ON(1)	60	80	-	cd/m ²
ICC Sleep mode Current	ICC,SLEEP	VDD = 2.4V ~3.5V, VCC = 7V~15V Display OFF, No panel attached	-	-	10	uA
IDD Sleep mode Current	IDD,SLEEP	VDD = 2.4V ~3.5V, VCC = 7V~15V Display OFF, No panel attached	-	-	10	uA
Normal Mode Power Consumption	Pt	All pixels ON(1)	-	310	390	mW
C.I.E(Blue)	(x)	x,y(CIE1931)	0.12	0.16	0.20	-
	(y)		0.23	0.27	0.31	-
Dark Room Contrast	CR	-	≥2000:1	-	-	-
Response Time	-	-	-	10	-	μs
View Angle	-	-	≥160	-	-	Degree

Note(1): Normal Mode test conditions are as follows:

- Driving voltage : 13V
- Contrast setting : 0x70
- Frame rate : 105Hz
- Duty setting : 1/64

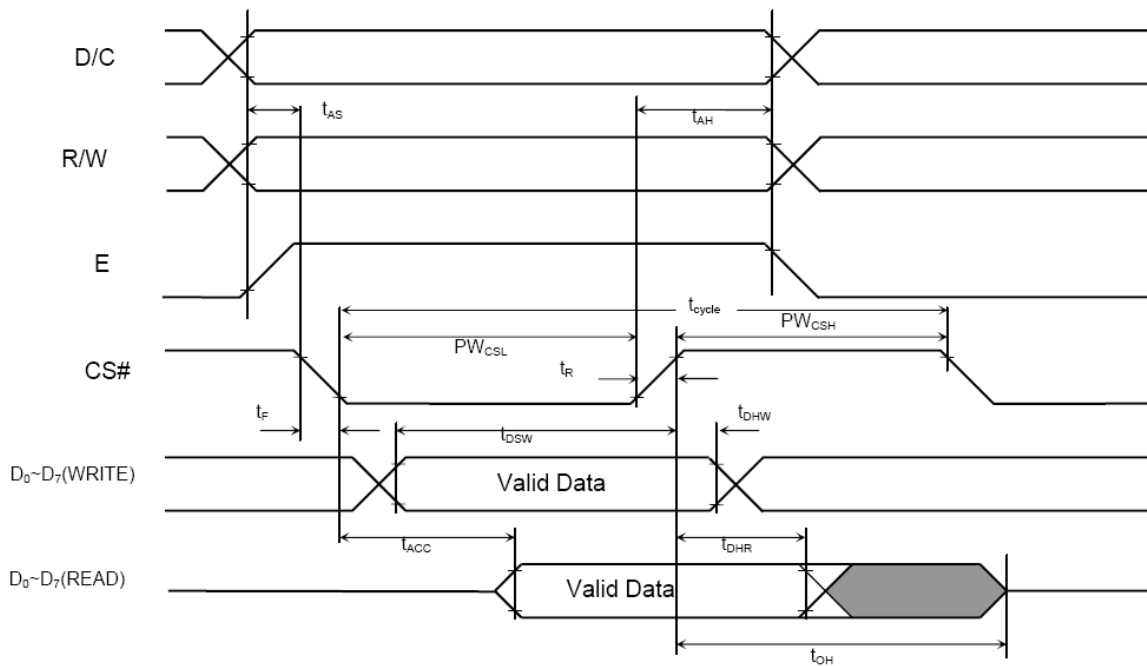
8.3 AC Electrical Characteristics

(1)6800-Series MPU Parallel Interface Timing Characteristics

(VDD - VSS = 2.4V to 3.5V, TA = 25°C)

Symbol	Parameter	Min	Typ	Max	Unit
t_{cycle}	Clock Cycle Time	300	-	-	ns
t_{AS}	Address Setup Time	0	-	-	ns
t_{AH}	Address Hold Time	0	-	-	ns
t_{DSW}	Write Data Setup Time	40	-	-	ns
t_{DHW}	Write Data Hold Time	7	-	-	ns
t_{DHR}	Read Data Hold Time	20	-	-	ns
t_{OH}	Output Disable Time	-	-	70	ns
t_{ACC}	Access Time	-	-	140	ns
PW_{CSL}	Chip Select Low Pulse Width (read) Chip Select Low Pulse Width (write)	120 60	-	-	ns
PW_{CSH}	Chip Select High Pulse Width (read) Chip Select High Pulse Width (write)	60 60	-	-	ns
t_R	Rise Time	-	-	40	ns
t_F	Fall Time	-	-	40	ns

6800-series MCU parallel interface characteristics

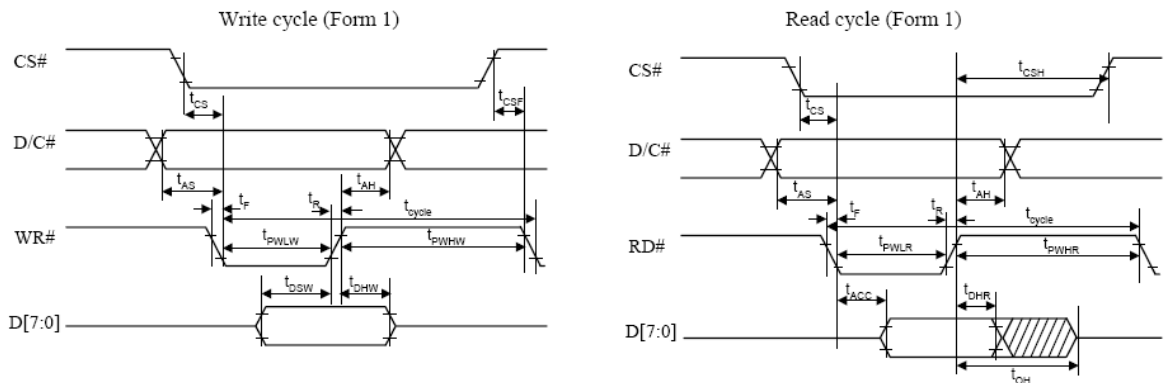


(2)8080-Series MPU Parallel Interface Timing Characteristics

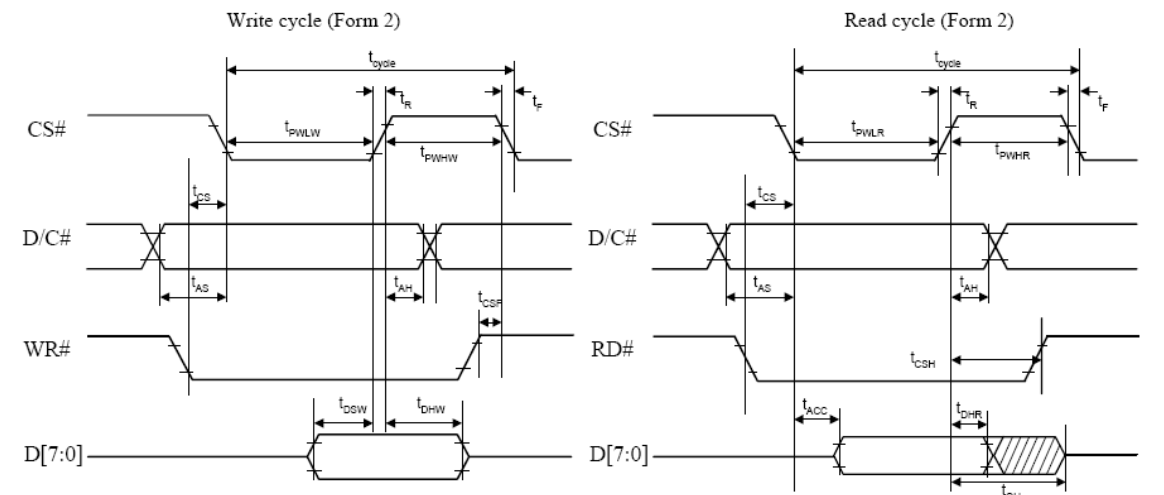
(VDD - VSS = 2.4V to 3.5V, TA = 25°C)

Symbol	Parameter	Min	Typ	Max	Unit
t_{cycle}	Clock Cycle Time	300	-	-	ns
t_{AS}	Address Setup Time	10	-	-	ns
t_{AH}	Address Hold Time	0	-	-	ns
t_{DSW}	Write Data Setup Time	40	-	-	ns
t_{DHW}	Write Data Hold Time	7	-	-	ns
t_{DHR}	Read Data Hold Time	20	-	-	ns
t_{OH}	Output Disable Time	-	-	70	ns
t_{ACC}	Access Time	-	-	140	ns
t_{PWLr}	Read Low Time	120	-	-	ns
t_{PWLw}	Write Low Time	60	-	-	ns
t_{PWHr}	Read High Time	60	-	-	ns
t_{PWHw}	Write High Time	60	-	-	ns
t_r	Rise Time	-	-	40	ns
t_f	Fall Time	-	-	40	ns
t_{CS}	Chip select setup time	0	-	-	ns
t_{CSH}	Chip select hold time to read signal	0	-	-	ns
t_{CSF}	Chip select hold time	20	-	-	ns

8080-series parallel interface characteristics (Form 1)



8080-series parallel interface characteristics (Form 2)

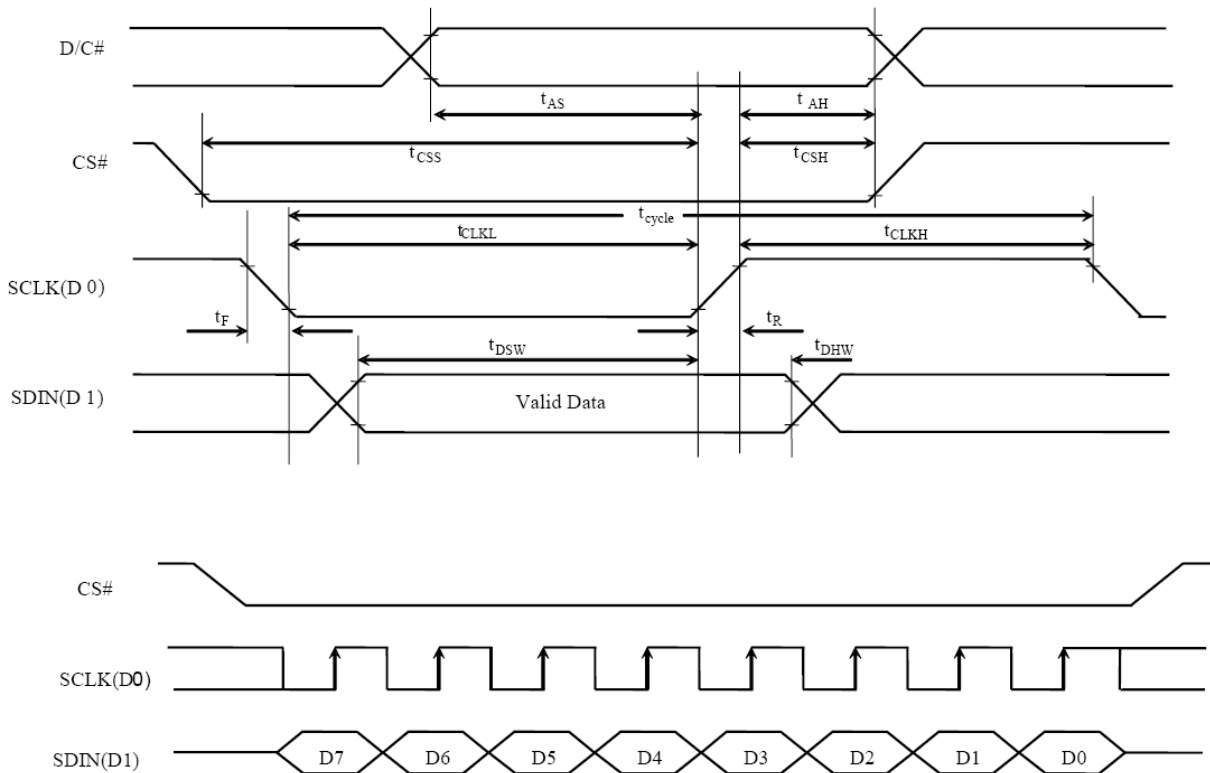


(3)Serial Interface Timing Characteristics

(VDD - VSS = 2.4V to 3.5V, TA = 25°C)

Symbol	Parameter	Min	Typ	Max	Unit
t_{cycle}	Clock Cycle Time	250	-	-	ns
t_{AS}	Address Setup Time	150	-	-	ns
t_{AH}	Address Hold Time	150	-	-	ns
t_{CSS}	Chip Select Setup Time	120	-	-	ns
t_{CSH}	Chip Select Hold Time	60	-	-	ns
t_{DSW}	Write Data Setup Time	50	-	-	ns
t_{DHW}	Write Data Hold Time	15	-	-	ns
t_{CLKL}	Clock Low Time	100	-	-	ns
t_{CLKH}	Clock High Time	100	-	-	ns
t_R	Rise Time	-	-	40	ns
t_F	Fall Time	-	-	40	ns

Serial interface characteristics

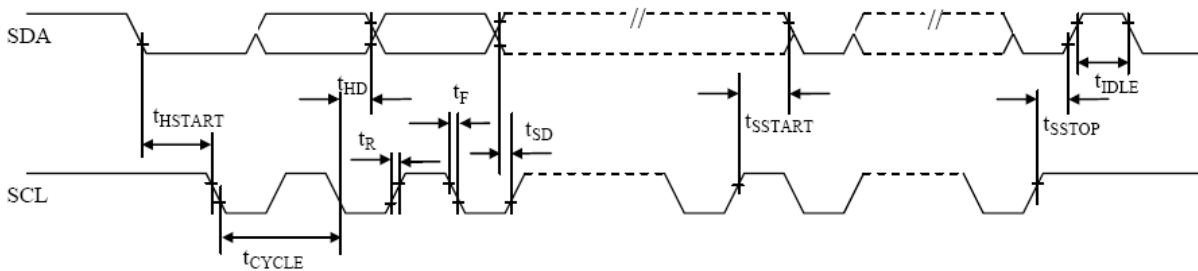


(4) I²C interface Timing Characteristics

(VDD - VSS = 2.4V to 3.5V, TA = 25°C)

Symbol	Parameter	Min	Typ	Max	Unit
t _{cycle}	Clock Cycle Time	2.5	-	-	us
t _{HSTART}	Start condition Hold Time	0.6	-	-	us
t _{HD}	Data Hold Time (for “SDA _{OUT} ” pin)	0	-	-	ns
	Data Hold Time (for “SDA _{IN} ” pin)	300	-	-	ns
t _{SD}	Data Setup Time	100	-	-	ns
t _{SSTART}	Start condition Setup Time (Only relevant for a repeated Start condition)	0.6	-	-	us
t _{SSTOP}	Stop condition Setup Time	0.6	-	-	us
t _R	Rise Time for data and clock pin	-	-	300	ns
t _F	Fall Time for data and clock pin	-	-	300	ns
t _{IDLE}	Idle Time before a new transmission can start	1.3	-	-	us

I²C interface Timing characteristics

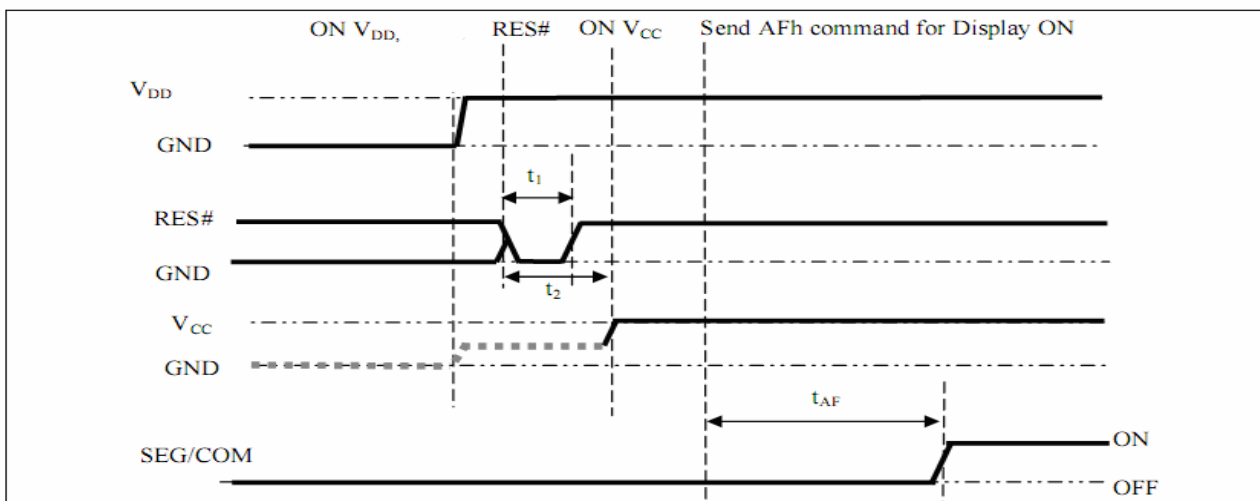


9 Functional Specification and Application Circuit

9.1 Power ON and Power OFF Sequence

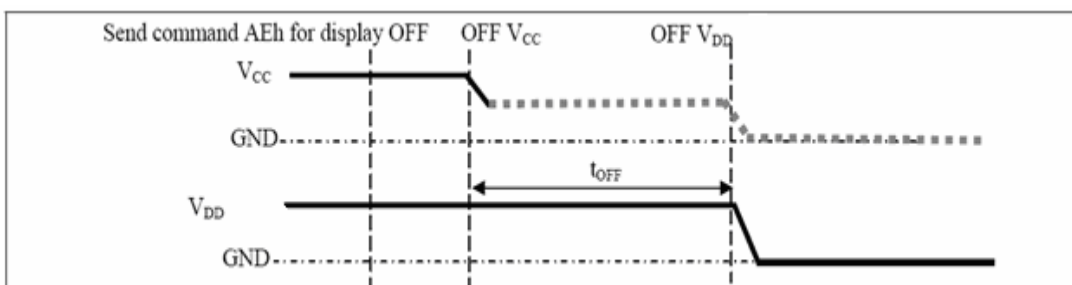
Power ON Sequence:

1. Power ON VDD.
2. After VDD become stable, set RES# pin LOW (logic low) for at least 3us (t_1)⁽⁴⁾ and then HIGH (logic high).
3. After set RES# pin LOW (logic low), wait for at least 3us (t_2). Then Power ON VCC⁽¹⁾.
4. After VCC become stable, send command AFh for display ON. SEG/COM will be ON after 100ms(t_{AF}).



Power OFF Sequence:

1. Send command AEh for display OFF.
2. Power OFF VCC^{(1),(2),(3)}.
3. Wait for t_{OFF} . Power OFF VDD. (where Minimum $t_{OFF}=0ms$ ⁽⁵⁾, Typical $t_{OFF}=100ms$)

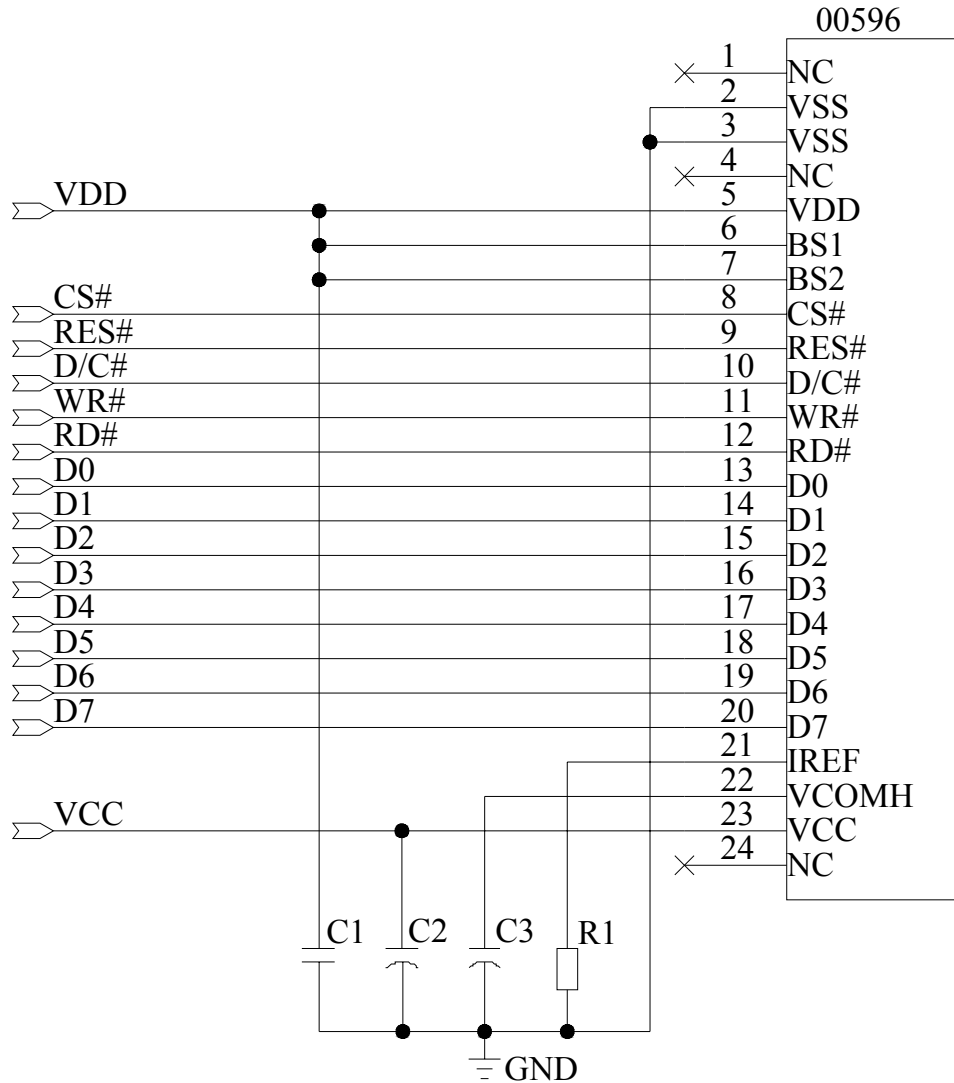


Note:

- (1) Since an ESD protection circuit is connected between VDD and VCC, VCC becomes lower than VDD whenever VDD is ON and VCC is OFF as shown in the dotted line of VCC in above figures.
- (2) VCC should be kept float (disable) when it is OFF.
- (3) Power Pins(VDD, VCC) can never be pulled to ground under any circumstance.
- (4) The register values are reset after t_1 .
- (5) VDD should not be Power OFF before VCC Power OFF

9.2 Application Circuit

(1).The configuration for 8080-parallel interface mode, external VCC is shown in the following diagram:



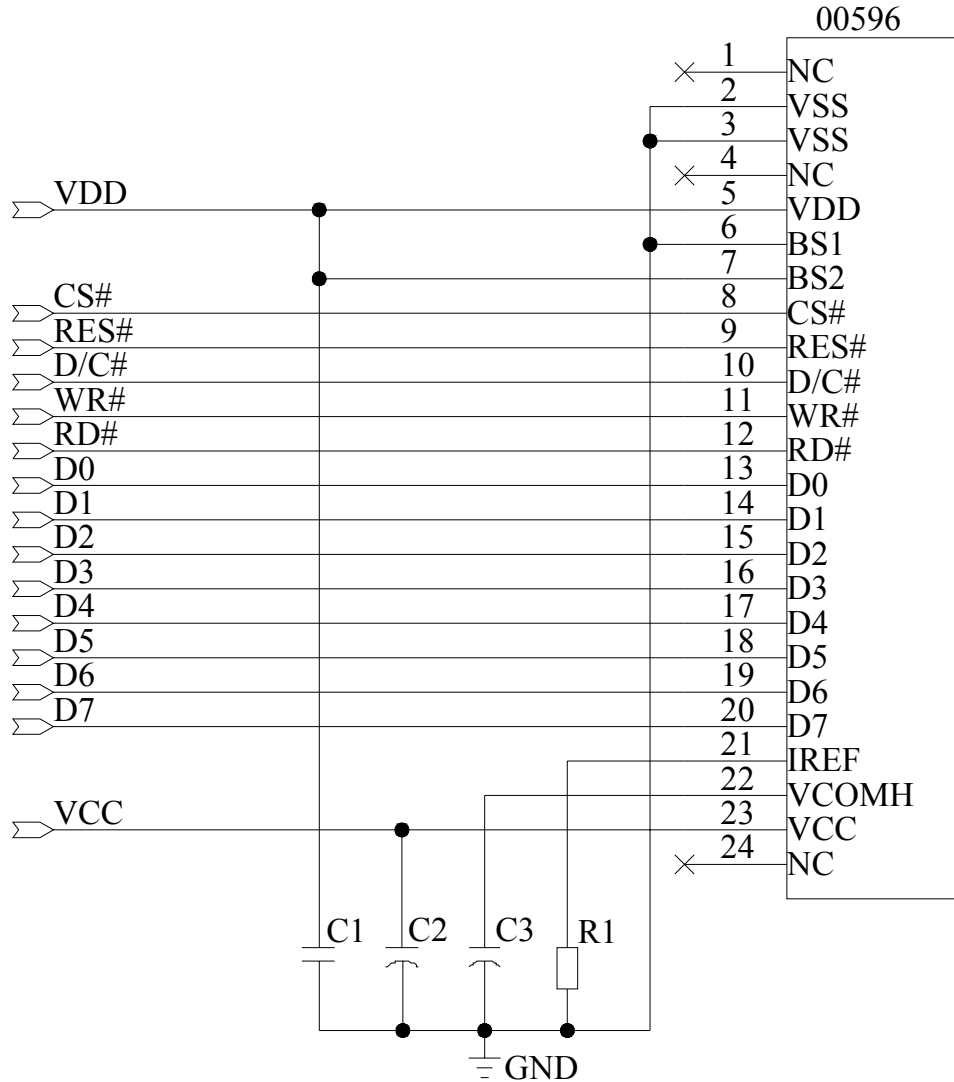
Recommended components

C1: 0.1uF-0603-X7R±10%.ROHS

C2, C3: 4.7μF/16V.ROHS (Tantalum Capacitors)

R1: 0603 1/10W +/-5% 910Kohm.ROHS

(2).The configuration for 6800-parallel interface mode, external VCC is shown in the following diagram:



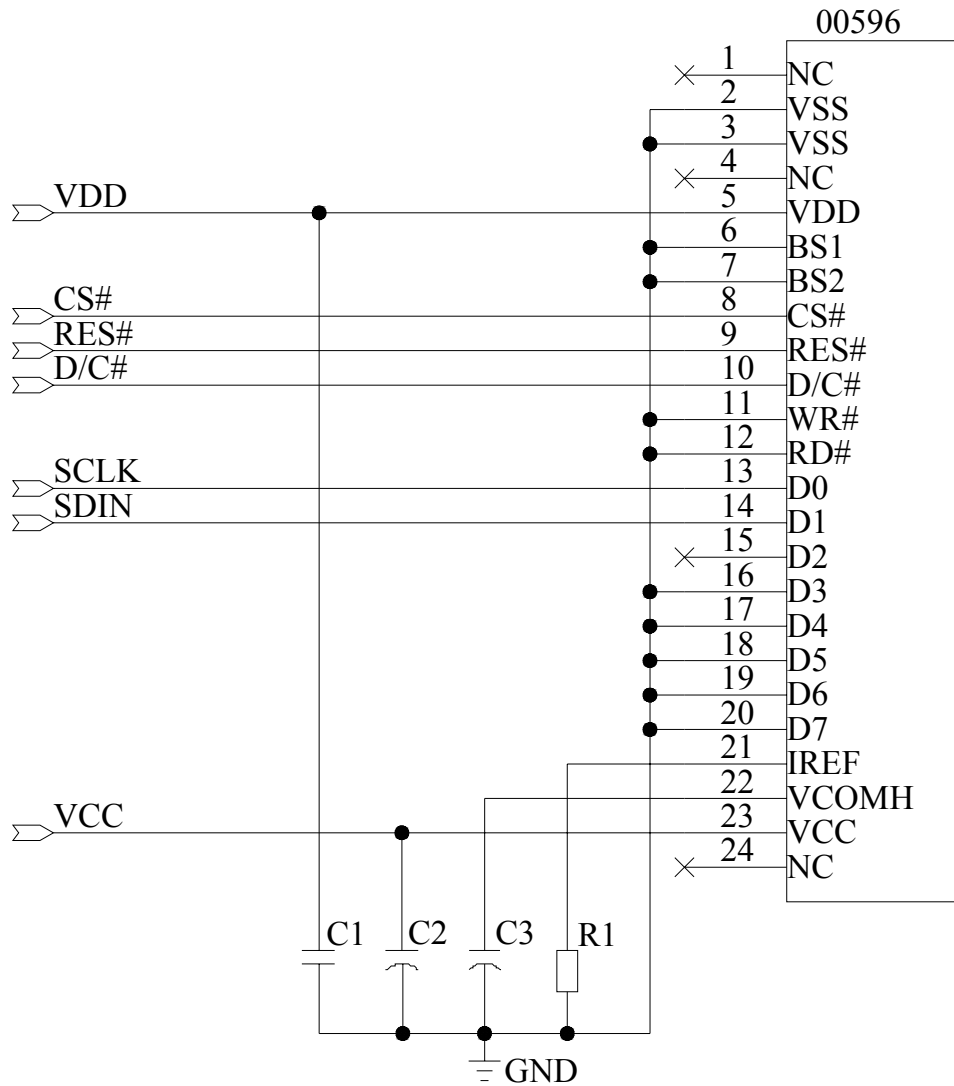
Recommended components

C1: 0.1uF-0603-X7R±10%.ROHS

C2, C3: 4.7μF/16V.ROHS (Tantalum Capacitors)

R1: 0603 1/10W +/-5% 910Kohm.ROHS

(3).The configuration for SPI interface mode, external VCC is shown in the following diagram:



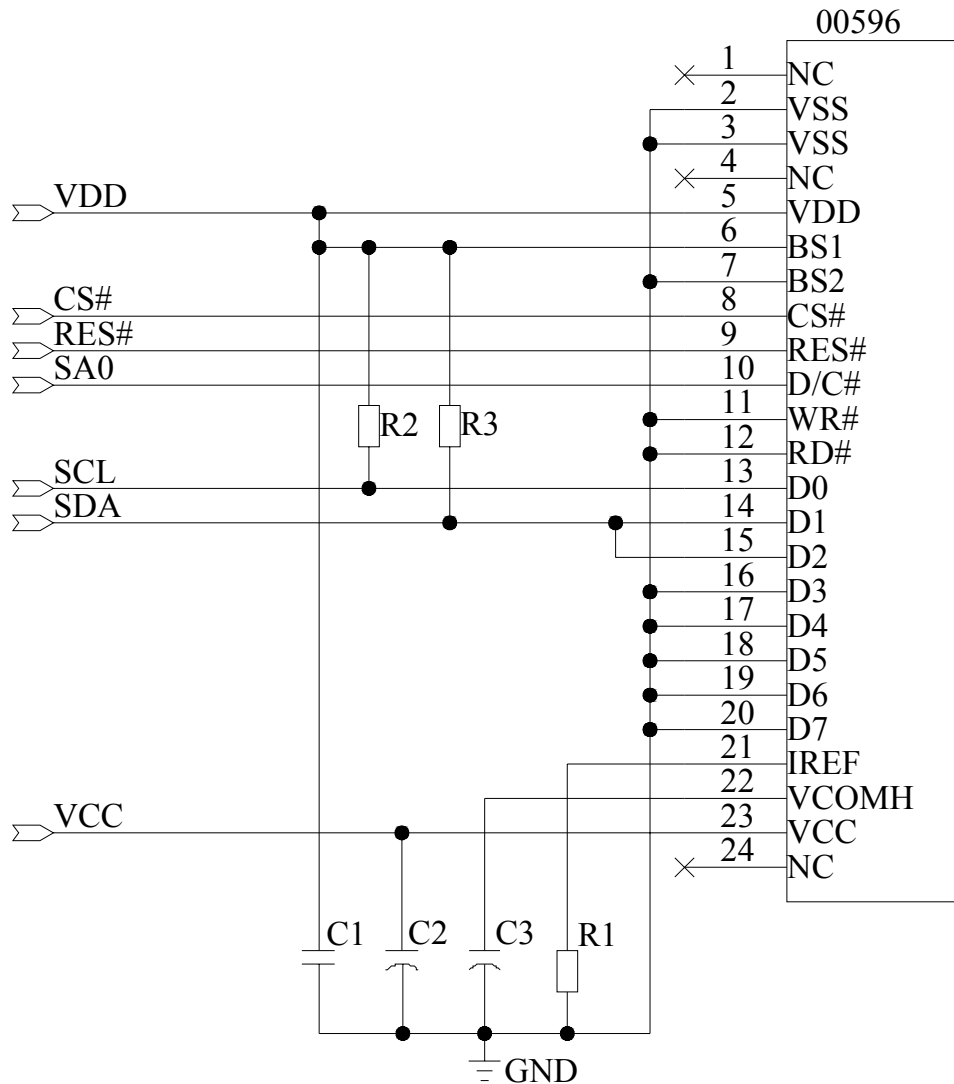
Recommended components

C1: 0.1uF-0603-X7R±10%.ROHS

C2, C3: 4.7μF/16V.ROHS (Tantalum Capacitors)

R1: 0603 1/10W +/-5% 910Kohm.ROHS

(4).The configuration for I²C interface mode, external VCC is shown in the following diagram:



Recommended components

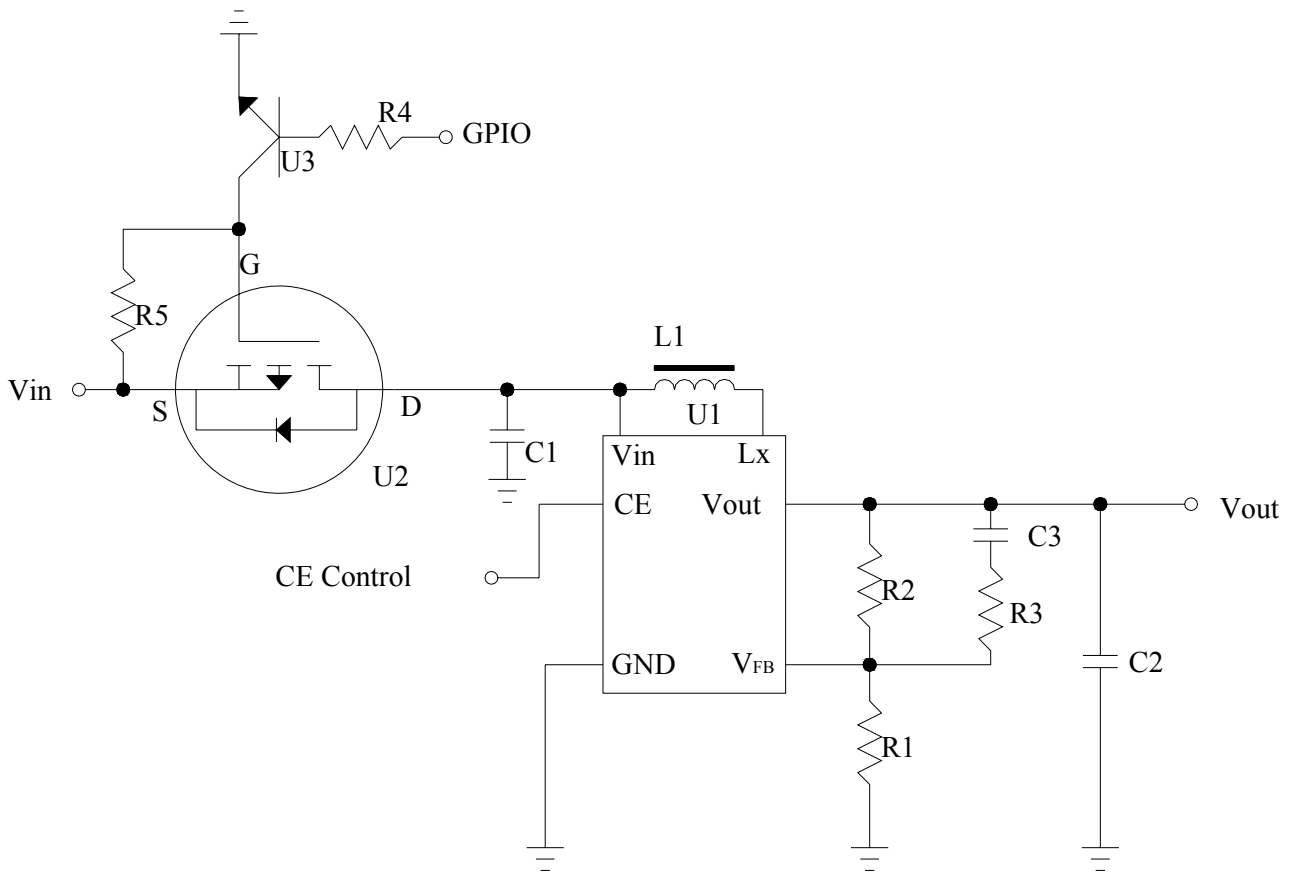
C1: 0.1uF-0603-X7R±10%.ROHS

C2, C3: 4.7μF/16V.ROHS (Tantalum Capacitors)

R1: 0603 1/10W +/-5% 910Kohm.ROHS

R2,R3: 0603 1/10W +/-5% 10Kohm.ROHS

9.3 External DC-DC application circuit



Recommend component

The C1	: 1 uF-0603-X7R±10%.ROHS
The C2	: 1 uF-0603-X7R±10%.ROHS
The C3	: 220pF-0603-X7R±10%.ROHS
The R1	: 0603 1/10W +/-5% 10Kohm.ROHS
The R2	: 0603 1/10W +/-1% 120Kohm.ROHS
The R3	: 0603 1/10W +/-5% 2Kohm.ROHS
The R4	: 0603 1/10W +/-5% 1Kohm.ROHS
The R5	: 0603 1/10W +/-5% 10Kohm.ROHS
The L1	: 22uH
The U1	: R1200
The U2	: FDN338N
The U3	: 8050

9.4 Display Control Instruction

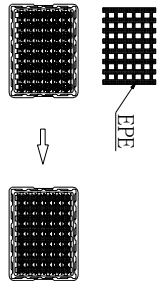
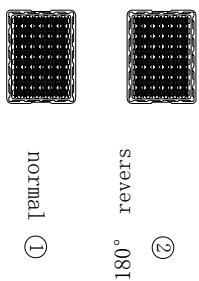

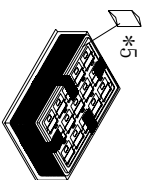
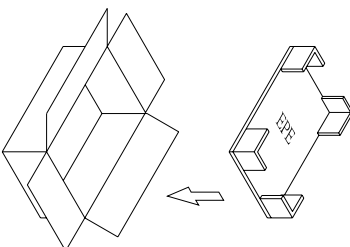
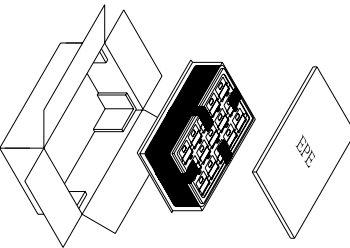
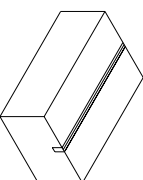
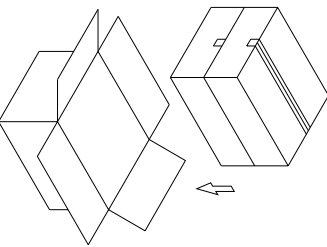
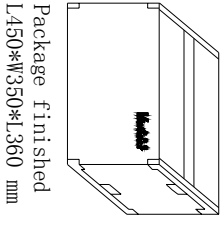
Refer to SSD1305 IC Specification.

9.5 Recommended Software Initialization

```
void init_program()
{
    write_c(0xae);
    write_c(0xa1); //segment remap
    write_c(0xda); //common pads hardware: alternative
    write_c(0x12);
    write_c(0xc8); //common output scan direction:com63~com0
    write_c(0xa8); //multiplex ration mode:63
    write_c(0x3f);
    write_c(0xd5); //display divide ratio/osc. freq. mode
    write_c(0x70); //Osc. Freq:320kHz,DivideRation:1
    write_c(0x81); //contrast control
    write_c(0x70); // mode:64
    write_c(0xd9); //set pre-charge period
    write_c(0x22); //set period 1:1;period 2:15
    write_c(0x20); //Set Memory Addressing Mode
    write_c(0x02); //page addressing mode
    write_c(0xdb); //VCOM deselect level mode
    write_c(0x3c); //set Vvcomh=0.83*Vcc
    write_c(0xad); //master configuration
    write_c(0x8e); //external VCC supply
    write_c(0xa4); //out follows RAM content
    write_c(0xa6); //set normal display
    write_c(0xaf);
}
```

10 Package Specification

Package order (1)~(9)

<p>(1) Tray: 370*273 t=0.8mm Add EPE in every contained tray</p> 	<p>(2)</p>  <p>TRAY normal ① sealer ②</p>	<p>(3) order ① ② ① ② fix trays with tape Package quantity products: 336 pcs of 1 small carton 1 tray contain 24 pcs 14 contained trays, 1 empty tray</p> 	<p>(4) package with plastic bags add five desiccants create a power vacuum</p> 
<p>(5)</p> 	<p>(6)</p> 	<p>(7)</p>  <p>small carton package L425*W330*L175 mm</p>	<p>(8)</p>  <p>2 small cartons in 1 big carton</p>
<p>(9) 28 contained trays, 2 empty trays, Package quantity products: 672 pcs of 1 big carton</p>  <p>Package finished L450*W350*L360 mm</p>			

NOTE: Tape on the small carton & big carton

11 Reliability

11.1 Reliability Test

NO.	ITEM	CONDITION	QUANTITY
1	High Temperature (Non-operation)	85°C,240hrs	4
2	Low Temperature (Non-operation)	-40°C,240hrs	4
3	High Temperature (Operation)	70°C,240hrs	4
4	Low Temperature (Operation)	-40°C,240hrs	4
5	High Temperature / High Humidity (Operation)	60°C,90%RH,240hrs	4
6	Thermal shock (Non-operation)	-40°C~85°C(-40°C/30min;transit/3min;85°C/30min;transit/3min) 1cycle: 66min,30cycles	4
7	Vibration	Frequency: 5~50Hz,0.5G Scan rate: 1 oct/min Time: 2 hrs/axis Test axis: X, Y, Z	1 Carton
8	Drop	Height: 100 cm Sequence: 1 angle, 3 edges and 6 faces	1 Carton

Test and measurement conditions

1. All measurements shall not be started until the specimens attain to temperature stability, the stable time is at least 15 minutes.
2. The degradation of polarizer is ignored for item 5.
3. The tolerance of temperature is $\pm 3^{\circ}\text{C}$, and the tolerance of relative humidity is $\pm 5\%$.

Evaluation criteria

1. The function test is OK.
2. No observable defects.
3. Luminance: $\geq 50\%$ of initial value.
4. Current consumption: within $\pm 50\%$ of initial value.

11.2 Lifetime

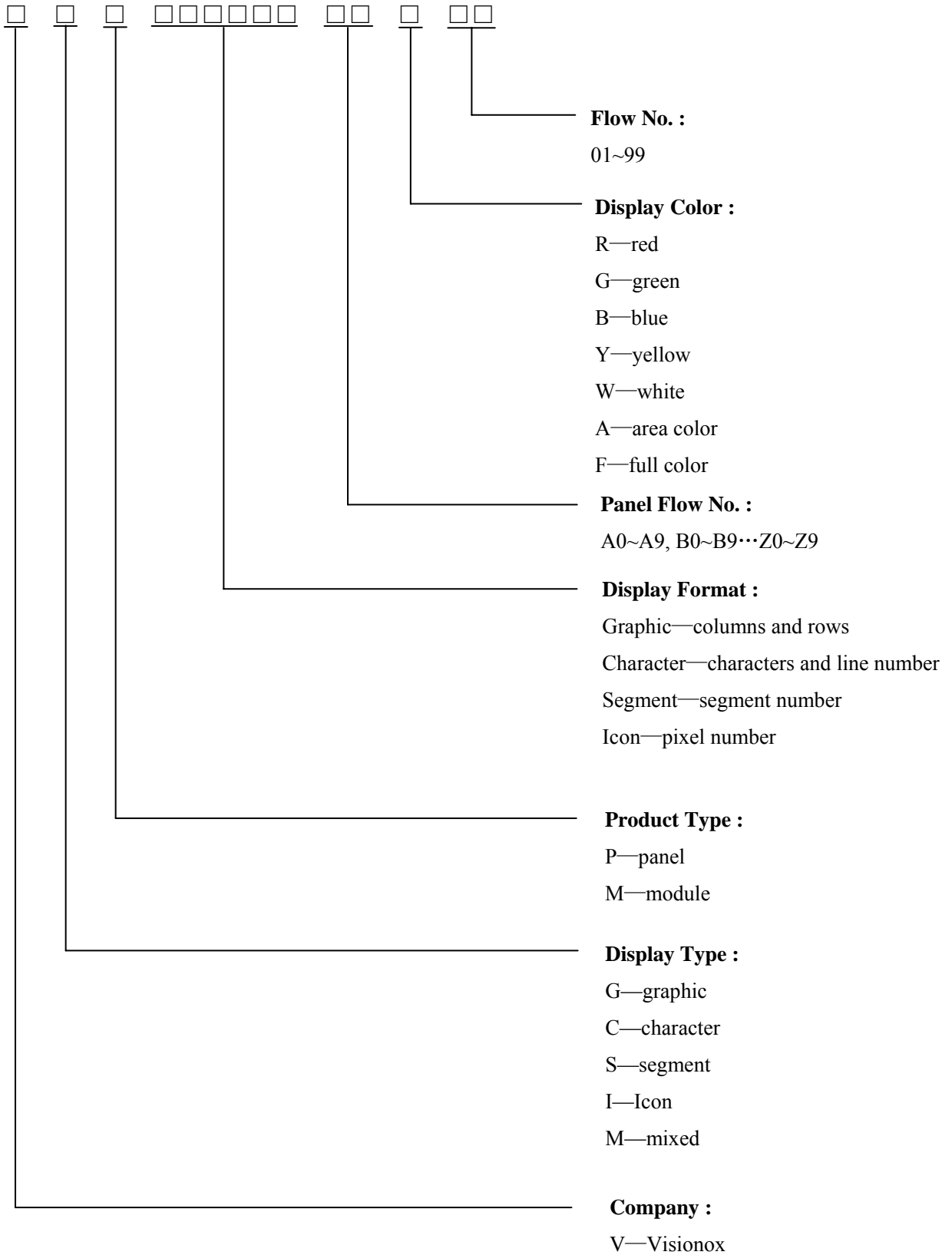
End of lifetime is specified as 50% of initial brightness and the test pattern at operating condition is 50% alternating checkerboard.

ITEM	MIN	MAX	UNIT	CONDITION
Operation Life Time	10,000	-	hrs	80cd/m ² ,50% Checkerboard

11.3 Failure Check Standard

After the completion of the described reliability test, the samples were left at room temperature for 2 hrs prior to conducting the failure test at $22\pm 3^{\circ}\text{C}$; $55\pm 15\%$ RH.

12 Illustration of OLED Product Name



13 Outgoing Quality Control Specifications

13.1 Sampling Method

- (1) GB/T 2828.1-2003/ISO2859-1: 1999, inspection level II , normal inspection, single sample inspection
- (2) AQL: Major 0.65; Minor 1.0

13.2 Inspection Conditions

The environmental conditions for test and measurement are performed as follows.

Temperature: $22\pm 3^{\circ}\text{C}$

Humidity: $55\pm 15\%\text{R.H}$

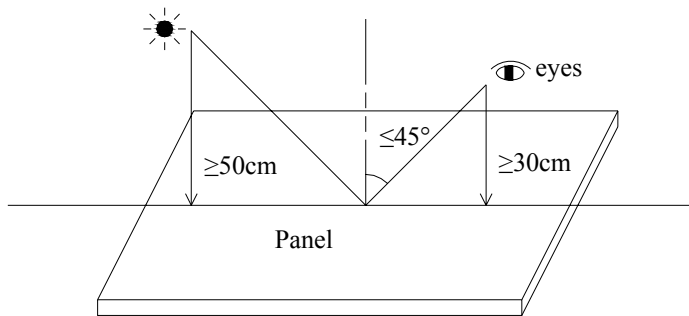
Fluorescent Lamp: 30W

Distance between the Panel & Lamp: $\geq 50\text{cm}$

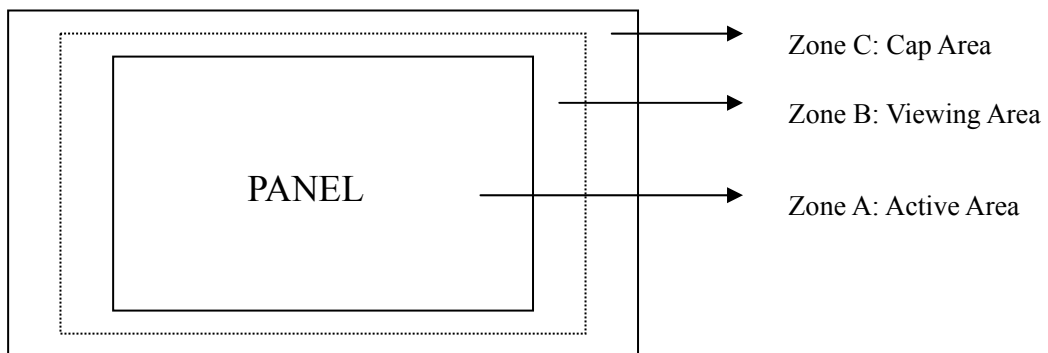
Distance between the Panel & Eyes: $\geq 30\text{cm}$

Viewing angle from the vertical in each direction: $\leq 45^{\circ}$

(See the sketch below)

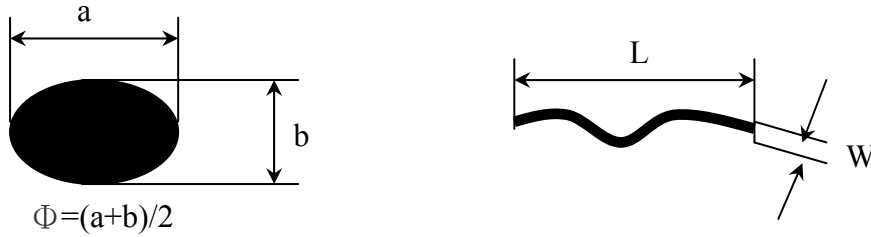


13.3 Quality Assurance Zones



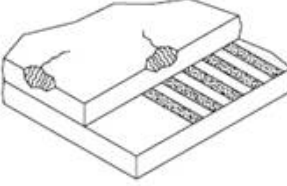
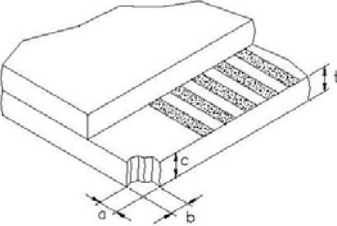
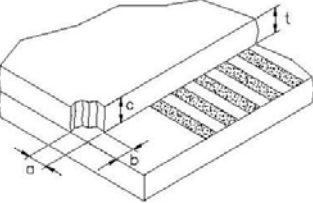
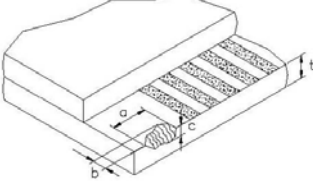
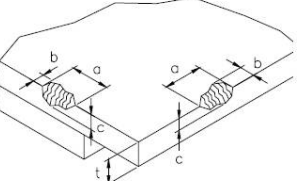
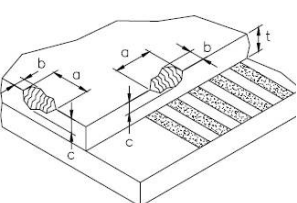
13.4 Inspection Standard

Definition of Φ &L&W (Unit: mm)



I . Appearance Defects

NO.	ITEM	CRITERIA	CLASSIFICATION																
1	Polarizer Black or White spot, Dirty spot, Foreign matter, Dent on the polarizer	<table border="1"> <thead> <tr> <th rowspan="2">Average Diameter (mm)</th> <th colspan="2">Acceptable Number</th> </tr> <tr> <th>Zone A,B</th> <th>Zone C</th> </tr> </thead> <tbody> <tr> <td>$\Phi \leq 0.15$</td> <td>Ignore</td> <td rowspan="3">Ignore</td> </tr> <tr> <td>$0.15 < \Phi \leq 0.30$</td> <td>3</td> </tr> <tr> <td>$\Phi > 0.30$</td> <td>0</td> </tr> </tbody> </table>	Average Diameter (mm)	Acceptable Number		Zone A,B	Zone C	$\Phi \leq 0.15$	Ignore	Ignore	$0.15 < \Phi \leq 0.30$	3	$\Phi > 0.30$	0	Minor				
Average Diameter (mm)	Acceptable Number																		
	Zone A,B	Zone C																	
$\Phi \leq 0.15$	Ignore	Ignore																	
$0.15 < \Phi \leq 0.30$	3																		
$\Phi > 0.30$	0																		
2	Scratch/line on the glass/Polarizer	<table border="1"> <thead> <tr> <th rowspan="2">Width (mm)</th> <th rowspan="2">Length (mm)</th> <th colspan="2">Acceptable Number</th> </tr> <tr> <th>Zone A,B</th> <th>Zone C</th> </tr> </thead> <tbody> <tr> <td>$W \leq 0.03$</td> <td>---</td> <td>Ignore</td> <td rowspan="3">Ignore</td> </tr> <tr> <td>$0.03 < W \leq 0.08$</td> <td>$L \leq 5.0$</td> <td>3</td> </tr> <tr> <td>$W > 0.08$</td> <td>---</td> <td>0</td> </tr> </tbody> </table>	Width (mm)	Length (mm)	Acceptable Number		Zone A,B	Zone C	$W \leq 0.03$	---	Ignore	Ignore	$0.03 < W \leq 0.08$	$L \leq 5.0$	3	$W > 0.08$	---	0	Minor
Width (mm)	Length (mm)	Acceptable Number																	
		Zone A,B	Zone C																
$W \leq 0.03$	---	Ignore	Ignore																
$0.03 < W \leq 0.08$	$L \leq 5.0$	3																	
$W > 0.08$	---	0																	
3	Polarizer Bubble	<table border="1"> <thead> <tr> <th rowspan="2">Average Diameter (mm)</th> <th colspan="2">Acceptable Number</th> </tr> <tr> <th>Zone A,B</th> <th>Zone C</th> </tr> </thead> <tbody> <tr> <td>$\Phi > 0.5$</td> <td>0</td> <td rowspan="3">Ignore</td> </tr> <tr> <td>$0.2 < \Phi \leq 0.5$</td> <td>3</td> </tr> <tr> <td>$\Phi \leq 0.2$</td> <td>Ignore</td> </tr> </tbody> </table>	Average Diameter (mm)	Acceptable Number		Zone A,B	Zone C	$\Phi > 0.5$	0	Ignore	$0.2 < \Phi \leq 0.5$	3	$\Phi \leq 0.2$	Ignore	Minor				
Average Diameter (mm)	Acceptable Number																		
	Zone A,B	Zone C																	
$\Phi > 0.5$	0	Ignore																	
$0.2 < \Phi \leq 0.5$	3																		
$\Phi \leq 0.2$	Ignore																		
4	Any Dirt & Scratch on Polarizer's Protective Film	Ignore for not affect the polarizer.	Acceptable																
5	Any Dirt on Cap Glass	<table border="1"> <thead> <tr> <th>Average Diameter (mm)</th> <th>Acceptable Number</th> </tr> </thead> <tbody> <tr> <td>$\Phi \leq 0.5$</td> <td>Ignore</td> </tr> <tr> <td>$0.5 < \Phi \leq 1.0$</td> <td>3</td> </tr> <tr> <td>$\Phi > 1.0$</td> <td>0</td> </tr> </tbody> </table>	Average Diameter (mm)	Acceptable Number	$\Phi \leq 0.5$	Ignore	$0.5 < \Phi \leq 1.0$	3	$\Phi > 1.0$	0	Minor								
Average Diameter (mm)	Acceptable Number																		
$\Phi \leq 0.5$	Ignore																		
$0.5 < \Phi \leq 1.0$	3																		
$\Phi > 1.0$	0																		

5	Glass Crack	 <p>Propagation crack is not acceptable.</p>	Major
6	Corner Chip	 <p>t= Glass thickness Accept $a \leq 2.0\text{mm}$ or $b \leq 2.0\text{mm}$, $c \leq t$</p>	Minor
7	Corner Chip on Cap Glass	 <p>t= Glass thickness Accept $a \leq 1.5\text{mm}$ or $b \leq 1.5\text{mm}$, $c \leq t$</p>	Minor
8	Chip on Contact Pad	 <p>t= Glass thickness Accept $a \leq 3.0\text{mm}$ or $b \leq 0.8\text{mm}$, $c \leq t$ (on the contact pin) $a \leq 3.0\text{mm}$ or $b \leq 1.5\text{mm}$, $c \leq t$ (outside of the contact pin)</p>	Minor
9	Chip on Face of Display	 <p>t= Glass thickness Accept $a \leq 1.5\text{mm}$ or $b \leq 1.5\text{mm}$, $c \leq t$</p>	Minor
10	Chip on Cap Glass	 <p>t= Glass thickness Accept $a \leq 3.0\text{mm}$ or $b \leq 3.0\text{mm}$, $c \leq t/2$ $a \leq 1.5\text{mm}$ or $b \leq 1.5\text{mm}$, $t/2 \leq c \leq t$</p>	Minor
11	Stain on Surface	Stain removable by soft cloth or air blow is acceptable.	Minor
12	TCP/FPC Damage	<p>(1) Crack, deep scratch, deep hole and deep pressure mark on the TCP/FPC are not acceptable.</p> <p>(2) Terminal lead twisted or broken is not allowable.</p> <p>(3) Copper exposed is not allowed by naked eye inspection.</p>	Minor
13	Dimension Unconformity	Checking by mechanical drawing.	Major

II. Displaying Defects

NO.	ITEM	CRITERIA	CLASSIFICATION															
1	Black/White spot Dirty spot Foreign matter	<table border="1"> <thead> <tr> <th data-bbox="517 371 794 439">Average Diameter (mm)</th> <th colspan="2" data-bbox="794 371 1155 405">Pieces Permitted</th> </tr> <tr> <td data-bbox="517 439 794 472">$\Phi \leq 0.10$</td> <td data-bbox="794 405 979 439">Zone A,B</td> <td data-bbox="979 405 1155 439">Zone C</td> </tr> </thead> <tbody> <tr> <td data-bbox="517 472 794 506">$0.10 < \Phi \leq 0.20$</td> <td colspan="2" data-bbox="794 439 1155 472">Ignore</td> </tr> <tr> <td data-bbox="517 506 794 539">$\Phi > 0.20$</td> <td data-bbox="794 472 979 506">3</td> <td data-bbox="979 472 1155 506">Ignore</td> </tr> <tr> <td data-bbox="517 539 794 568"></td> <td data-bbox="794 506 979 539">0</td> <td data-bbox="979 506 1155 539"></td> </tr> </tbody> </table>	Average Diameter (mm)	Pieces Permitted		$\Phi \leq 0.10$	Zone A,B	Zone C	$0.10 < \Phi \leq 0.20$	Ignore		$\Phi > 0.20$	3	Ignore		0		Minor
Average Diameter (mm)	Pieces Permitted																	
$\Phi \leq 0.10$	Zone A,B	Zone C																
$0.10 < \Phi \leq 0.20$	Ignore																	
$\Phi > 0.20$	3	Ignore																
	0																	
2	No Display	Not allowable.	Major															
3	Irregular Display	Not allowable.	Major															
4	Missing Line (row or column)	Not allowable.	Major															
5	Short	Not allowable.	Major															
6	Flicker	Not allowable.	Major															
7	Abnormal Color	Refer to the SPEC.	Major															
8	Luminance NG	Refer to the SPEC.	Major															
9	Over Current	Refer to the SPEC.	Major															

14 Precautions for operation and Storage

14.1 Precautions for Operation

- (1) Since OLED panel is made of glass, do not apply any mechanical shock or impact or excessive force to it when installing the OLED module. Any strong mechanical impact due to falling dropping etc. may cause damage (breakage or cracking).
- (2) The polarizer on the OLED surface is made of soft material and is easily scratched. Please take most care when handing. When the surface of the polarizer of OLED Module is contaminated, please wipe it off gently by using moisten soft cloth with isopropyl alcohol, do not use water, ketone or aromatics. If there is saliva or water on the OLED surface, please wipe it off immediately.
- (3) When handling OLED module, please be sure that the body and the tools are properly grounded. And do not touch I/O pins with bare hands or contaminate I/O pins, it will cause disconnection or defective insulation of terminals.
- (4) Do not attempt to disassemble or process the OLED module.
- (5) OLED module should be used under recommended operating conditions shown in the specification. Since the higher voltage leads to the shorter lifetime, be sure to use the specified operating voltage.
- (6) Foggy dew, moisture condensation or water droplets deposited on surface and contact terminals will cause polarizer stain or damage, the deteriorated display quality and electrochemical reaction then leads to shorter life time and permanent damage to the module probably. Please pay attention to the environmental temperature and humidity.
- (7) An afterimage is created by the difference in brightness between unused dot and the fixed dot, according to the decrease of brightness of the emitting time. Therefore, to avoid having an afterimage, the full set should be thoroughly used instead of using a fixed dot. When the fixed dot emits, an afterimage can be created.
- (8) Flicker could be come out at full on display. And it disappears when frame frequency increase, but brightness decreases too.

14.2 Soldering

- (1) Soldering should be performed only on the I/O terminals.
- (2) Use soldering irons with proper grounding and no leakage.
- (3) Iron: no higher than 300°C and 3~4 sec during soldering.

14.3 Precautions for Storage

- (1) Please store OLED module in a dark place. Avoid exposure to sunlight, the light of fluorescent lamp or any ultraviolet ray.
- (2) Keep the environment temperature between 10°C and 35°C and the relative humidity less than 60%. Avoid high temperature and high humidity.
- (3) Keep the OLED modules stored in the container when shipped from supplier before using them is recommended.
- (4) Do not leave any article on the OLED module surface for an extended period of time.

14.4 Warranty period

Visionox Display Co., Ltd. warrants for a period of 12 months from the shipping date when stored or used under normal condition.