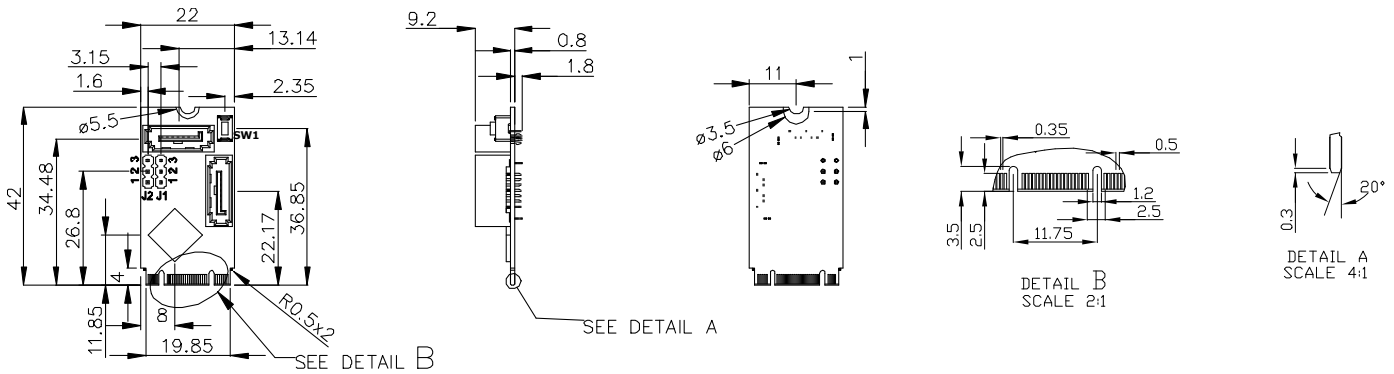


### Features

- Supports SATA to dual SATA III Port Multiplier.
- Supports H/W RAID 0/1 over SATA.
- 30μ golden finger, 3 years warranty.
- Industrial design, manufactured in innodisk Taiwan

### Mechanical Drawing



### Specifications

#### Headquarters (Taiwan)

9F., No.100, Sec. 1, Xintai 5th Rd., Xizhi Dist., New Taipei City, Taiwan (R.O.C.)  
Tel: +886-2-26963000  
Email: sales@innodisk.com

#### Branch Offices:

**USA**  
[usasales@innodisk.com](mailto:usasales@innodisk.com)  
+1-510-770-9421

**Europe**  
[eusales@innodisk.com](mailto:eusales@innodisk.com)  
+31-040-282-1818

**Japan**  
[jpsales@innodisk.com](mailto:jpsales@innodisk.com)  
+81-45-594-7581

**China**  
[sales\\_cn@innodisk.com](mailto:sales_cn@innodisk.com)  
+86-755-21673689

[www.innodisk.com](http://www.innodisk.com)

© 2014 Innodisk Corporation. All right reserved. Specifications are subject to change without prior notice.

April 28, 2014

Form-Factor	M.2 2242-B-M
Input I/F	SATA III
Output I/F	SATA III
Output Connector	SATA 7pin x 2
Bridge	JMS562
Max TDP	1.65W (3.3V x 498mA)
Dimension (WxLxH)	22 x 42 x 11mm, Weight: 5.5g
Temperature	Operation: STD: 0°C ~ +70°C Storage: -55°C ~ +95°C
Environment	Vibration: 5G @7~2000Hz, Shock: 50G @ 0.5ms
Notes	1. RAID Mode Setting: [J2:J1] RAID0: 23:23, RAID1: 23:12, PM: 12:12 2. Press tact switch SW1 for reset.