

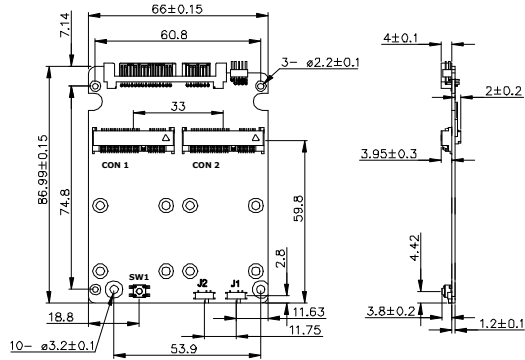
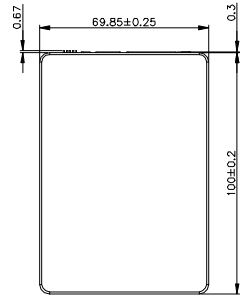
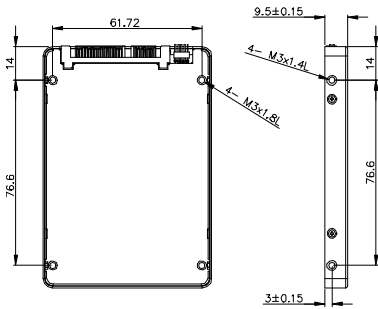
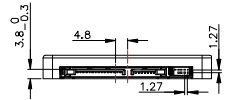
Pin header

mSATA

Features

- Supports SATA to dual SATA III Port Multiplier.
- Supports H/W RAID 0/1 over SATA.
- Supports USB 2.0 to dual SATA III.
- Pin header for LED connection.
- 3 years warranty.
- Industrial design, manufacture in innodisk Taiwan

Mechanical Drawing



	LED Pin Assignment	USB 2.0
1	GND	GND
2	CON 2 Error	D+
3	CON 2 Access	D-
4	CON 1 Error	5V
5	CON 1 Access	

Specifications

Headquarters (Taiwan)

9F., No.100, Sec. 1, Xintai 5th Rd., Xizhi Dist., New Taipei City, Taiwan (R.O.C.)
Tel: +886-2-26963000
Email: sales@innodisk.com

Branch Offices:

USA
usasales@innodisk.com
+1-510-770-9421

Europe
eusales@innodisk.com
+31-040-282-1818

Japan
jpsales@innodisk.com
+81-3-6661-9846

China
sales_cn@innodisk.com
+86-755-21673689

www.innodisk.com

© 2014 Innodisk Corporation.
All right reserved. Specifications are subject to change without prior notice.

July 3, 2014

Form-Factor	2.5" SSD
Input I/F	SATA III, USB 2.0
Output I/F	SATA III
Output Connector	mSATA x 2, Pin Header 9Pin x 1
Max TDP	2.45W (5V x 498mA)
Dimension (WxLxH)	69.85 x 100 x 9.5mm, Weight: 80g
Temperature	Operation: STD: 0°C ~ +70°C Storage: -55°C ~ +95°C
Environment	Vibration: 5G @7~2000Hz, Shock: 50G @ 0.5ms
Notes	1. RAID Mode Setting: [J1:J2] RAID0: 2:2, RAID1: 1:2, PM: 1:1 2. Press tact switch SW1 for reset.

Order information

E2SS-32R1-C1
2.5" to Dual SATA III RAID Module