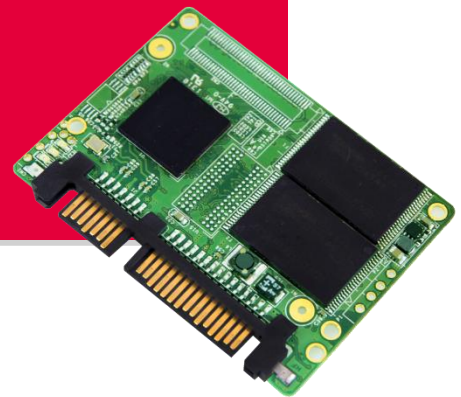


Datasheet

# SATA Slim

## 3ME series

- SATA III solution for industrial field
- iSMART disk health monitoring
- Intelligent error recovery system
- Excellent data transfer speed
- Zero mechanical interference
- Compliant with JEDEC MO-297 standard



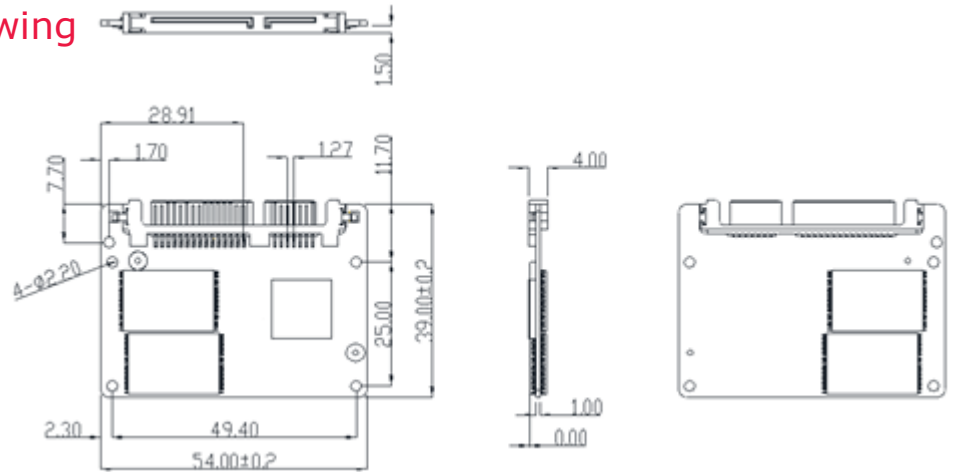
### Introduction

Innodisk SATA Slim 3ME is SATA III 6Gb/s Flash based disk, which designed with standard SATA interface (7+15 SATA connector), and compliant with JEDEC MO-297 standard. With its smaller dimension, SATA Slim 3ME is an alternative solution of 2.5" SSD for those embedded system that may have mechanical and space concerns. Innodisk SATA Slim 3ME operates under SATA III (6.0Gb/s) interface with excellent performance and reliability making it the ideal solution for a variety of applications, including embedded system, and industrial field.

# SATA Slim

## 3ME series

Drawing



Contact us for more information about the SATA Slim 3ME

Innodisk is a service-driven provider of industrial embedded flash and DRAM storage products and technologies, with a focus on the industrial/embedded, aerospace and defense, and cloud computing industries.

## Specifications

Interface	SATA III
Flash Type	MLC
Flash P/E Cycle Limit	3000
Capacity	8GB~128GB
Max. Channels	4
Sequential R/W (MB/sec, max.)	460 / 160 (DESLM-xxxD06Sx1xC) 370 / 65 (DESLM-xxxD06Tx1xC/ DESLM-xxxD07Tx1xC)
Max. Power Consumption	1.6W (5V x 310 mA)
Thermal Sensor	WT Only
External DRAM Buffer	-
H/W Write Protect	-
Pin7 Power	-
ATA Security	√
S.M.A.R.T.	√
Dimension (WxLxH)	54.0 X 39.0 X 4.0 mm
Environment	Vibration: 20G @7~2000Hz Shock: 1500G @ 0.5ms Storage Temperature: -55°C ~ +95°C MTBF: 3 million hours

### Headquarters (Taiwan)

9F., No.100, Sec. 1, Xintai 5th Rd.,  
Xizhi Dist., New Taipei City,  
Taiwan (R.O.C.)  
Tel: +886-2-26963000  
Email: sales@innodisk.com

### Branch Offices:

USA  
[usasales@innodisk.com](mailto:usasales@innodisk.com)  
+1-510-770-9421  
Europe  
[eusales@innodisk.com](mailto:eusales@innodisk.com)  
+31-040-282-1818  
Japan  
[jpsales@innodisk.com](mailto:jpsales@innodisk.com)  
+81-3-6661-9846  
China  
[sales\\_cn@innodisk.com](mailto:sales_cn@innodisk.com)  
+86-755-21673689  
[www.innodisk.com](http://www.innodisk.com)

© 2012 Innodisk Corporation.  
All right reserved. Specifications  
are subject to change without  
prior notice.

20131104

## Ordering Information

Operation Temp.	8GB	16GB	32GB	64GB	128GB
Standard Grade (0°C ~ +70°C)	DESLM-08GD06SC1SC DESLM-08GD07TC1SC	DESLM-16GD06SC1DC DESLM-16GD06TC1DC	DESLM-32GD06XC1QC	DESLM-64GD06XC1QC	DESLM-A28D06SC1QC
Industrial Grade (-40°C ~ +85°C)	DESLM-08GD06SW1SC DESLM-08GD07TW1SC	DESLM-16GD06SW1DC DESLM-16GD06TW1DC	DGSLM-32GD06XW1QC	DESLM-64GD06XW1QC	DESLM-A28D06SW1QC

X: S or T

innodisk

[www.innodisk.com](http://www.innodisk.com)