



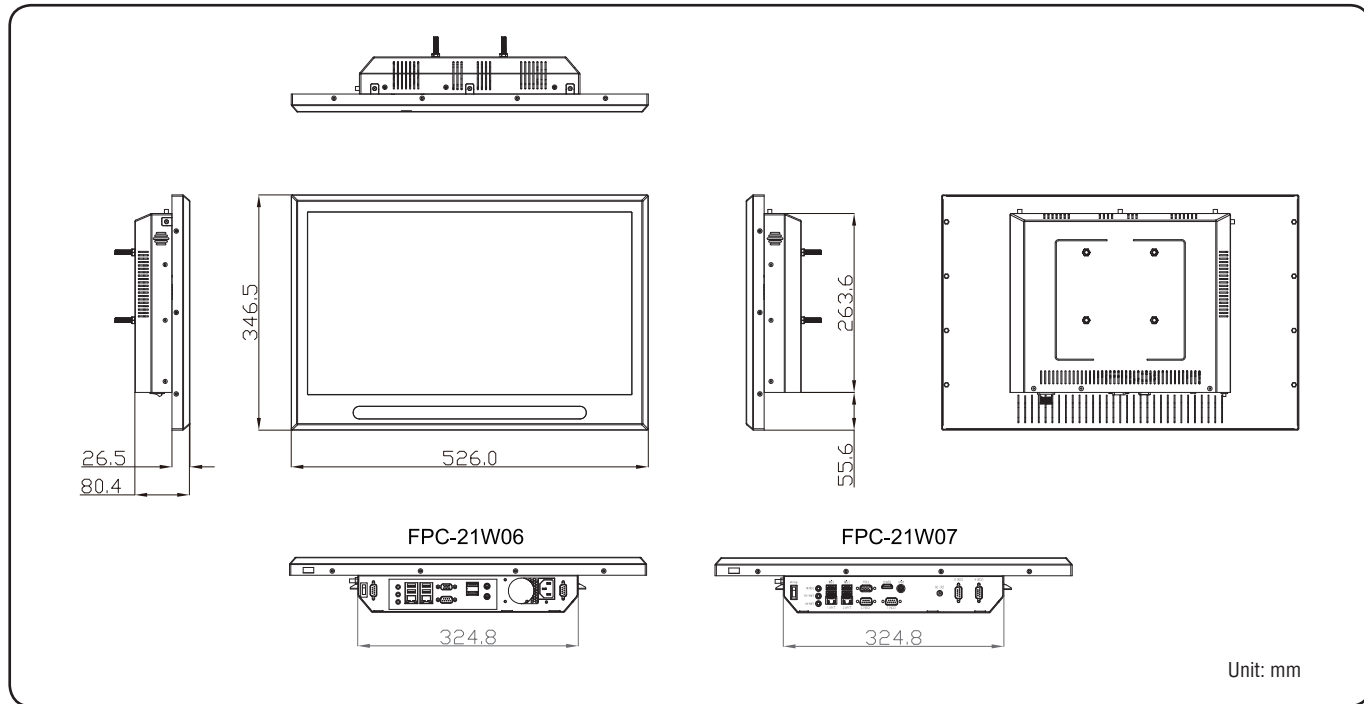
Features

- 21" Full HD TFT Touch Panel PC
- 5-wire Resistive Touch Screen
- FPC-21W06: Intel® Core™ i5-520E 2.4GHz CPU
FPC-21W07: Intel® Atom™ D2550 1.86GHz CPU
- VGA, HDMI, Audio, 2 x 2W Speakers
- Dual Gigabit Ethernet, WiFi Module
- 1 Mini PCIe, 5 USB
- 3 COM (FPC-21W06); 4 COM (FPC-21W07)
- Supports 2.5" SATA HDD
- IP-65 Compliant Front Panel
- VESA Compliance

Specifications

Model Name	FPC-21W06	FPC-21W07
• LCD Size	21", 16:9	21", 16:9
• Display Type	Full HD TFT	Full HD TFT
• Resolution, Color	1920 x 1080, 16.7M	1920 x 1080, 16.7M
• Pixel Pitch	0.248mm (H) x 0.248mm (V)	0.248mm (H) x 0.248mm (V)
• Luminance	250cd/m ²	250cd/m ²
• Contrast Ratio	1000	1000
• Viewing Angle	80 (U), 80 (D), 85 (L), 85 (R)	80 (U), 80 (D), 85 (L), 85 (R)
• Response Time	5ms	5ms
• Backlight	4 x CCFL	4 x CCFL
• Touch Screen	5-wire Resistive	5-wire Resistive
• Light Transmission	80%	80%
• Touch Interface	USB Touch Control Board EETI	USB Touch Control Board EETI
System		
• Board	EMX-QM57	EMX-CDV
• CPU	Onboard Intel® Core™ i5-520E 2.4GHz CPU	Onboard Intel® Atom™ D2550 1.86GHz CPU
• Cooling Method	Active CPU Cooler	Passive CPU Heatsink
• System Chipset	Intel® QM57	Intel® ICH10-R
• I/O Chip	Winbond W83667HG-A	ITE8783 + FINTEK F81214
• System Memory	Two 204-pin SODIMM Socket Supports Up to 8GB DDR3 800/ 1066MHz	Two 204-pin SODIMM Socket Supports Up to 4GB DDR3 800/ 1066MHz SDRAM
• HDD Drive Bay	1 x 2.5" SATA HDD	1 x 2.5" SATA HDD
• Expansion	1 x Mini PCIe	1 x Mini PCIe
Rear Panel I/O		
• Serial Port	3 x RS-232	4 x RS-232
• Ethernet	2 x RJ-45 (Intel® 82577-LM Gigabit Ethernet, 1 x Realtek RTL8111C Gigabit Ethernet)	2 x RJ-45 (Dual Realtek RTL8111E Gigabit Ethernet)
• WiFi	USB WiFi 802.11 b/g (Occupies One USB Port)	USB WiFi 802.11 b/g (Occupies One USB Port)
• VGA	1 x DB-15	1 x DB-15
• HDMI	1 x HDMI	1 x HDMI
• Display Port	1 x Display Port	N/A
• Audio	Line-out, Line-in, Mic-in	Line-out, Line-in, Mic-in
• USB	5 x USB 2.0	5 x USB 2.0
• Mouse & K/B	1 x PS/2 Keyboard/ Mouse Connector	1 x PS/2 Keyboard/ Mouse Connector
• Speaker	2 x 2W	2 x 2W

Diagram



Environment & Mechanical

• System Fan	1 x System Fan
• Color	Front Panel Black; Rear Panel Black
• Mounting	Wall/ Stand/ VESA 75mm x 75mm and 100mm x 100mm
• Power Supply (FPC-21W7)	System Power Requirements: +12V DC Power Input Power Adapter Input: 100 ~ 250Vdc/ 47 ~ 63Hz Power Adapter Output: 84W Adapter (12V @ 7A Adapter)
• Power Supply (FPC-21W6)	Power Input: 100 ~ 240VAC Power Output: 180W
• Operating Temperature	0°C ~ 40°C (32°F ~ 104°F)
• Storage Temperature	-10°C ~ 50°C (14°F ~ 122°F)
• Relative Humidity	10% to 95% @ 40°C, Non-condensing
• Dimensions (W x D x H)	526mm x 346.5mm x 80.4mm
• Weight	7.32Kgs

Ordering Information

- **FPC-21W06**
21" FHD TFT Touch Panel PC with Intel® QM57 Chipset, 5-wire Resistive Touch Panel
- **FPC-21W07**
21" FHD TFT Touch Panel PC with Intel® Atom™ D2550 1.86GHz CPU, 5-wire Resistive Touch Panel
- **ACC-WIFI-USB-11R**
USB 802.11b/g/n WiFi Module (1T1R)
- **ACC-FPC-WALLMT-03R**
Wall Mount Bracket Kit for FPC-17~21W B1
- **ACC-FPC-WALLMT-05R**
Openframe Bracket Kit for FPC-18~21W B1
- **ACC-ARM-D23R**
VESA Stand, 75 & 100mm

- 1 LPC Series
- 2 SPC Series
- 3 FPC Series
- 4 PPC Series
- 5 APC Series
- 6 BPC Series
- 7 UPC Series
- 8 MPC Series
- 9 OPM Series
- 10 AID Series
- 11 MTP Series
- 12 OPC Series
- 13 RISC
- 14 Accessories