

# PPC-17 Series

Fanless 17" SXGA TFT  
Multifunctional Plastic Panel PC



## Features

- 17" 5-wire Resistive SXGA TFT
- PPC-1703: Intel® Atom™ N270 1.6GHz CPU  
PPC-1705: Intel® Atom™ D525 Dual-Core 1.8GHz CPU
- VGA, Audio, 2W Amplifier
- Gigabit Ethernet
- Mini PCIe, 1 CF, 1 COM, 2 USB
- Supports 2.5" SATA HDD
- +12V Single Power Input (PPC-1703)  
Wide Voltage +12V ~ 28V, ErP Power (PPC-1705)
- Fanless Operation, VESA Compliance
- Programmable Function Key



## Specifications

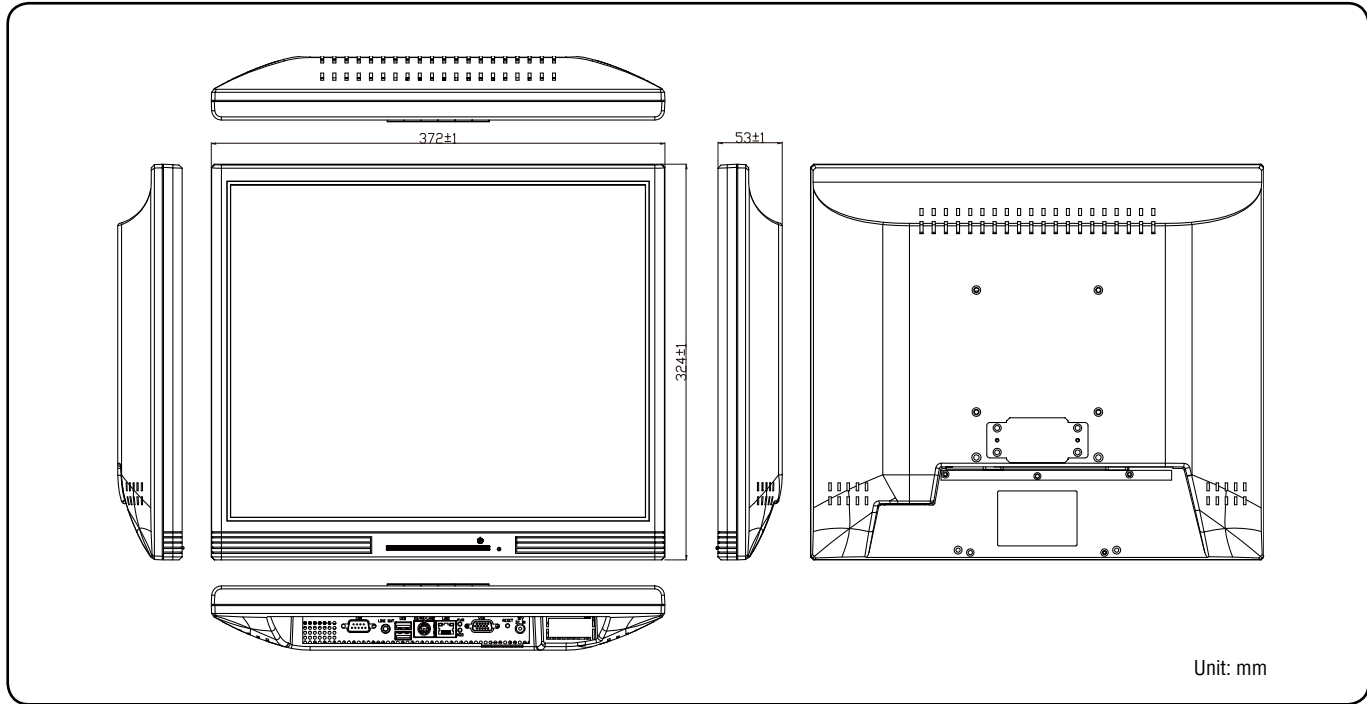
Model Name	PPC-1703	PPC-1705
• LCD Size	17", 4:3	17", 4:3
• Resolution, Color	1280 x 1024 SXGA, 16.7M	1280 x 1024 SXGA, 16.7M
• Pixel Pitch	0.264mm (H) x 0.264mm (V)	0.264mm (H) x 0.264mm (V)
• Luminance	380cd/m <sup>2</sup>	380cd/m <sup>2</sup>
• Contrast Ratio	1000	1000
• Viewing Angle	80 (U), 80 (D), 85 (L), 85 (R)	80 (U), 80 (D), 85 (L), 85 (R)
• Response Time	5ms	5ms
• Backlight	4 x CCFL	4 x CCFL
• Touch Screen	5-wire Resistive	5-wire Resistive
• Light Transmission	80%	80%
• Touch Interface	USB	USB
<b>System</b>		
• CPU	Onboard Intel® Atom™ N270 1.6GHz CPU	Onboard Intel® Atom™ D525 Dual-Core 1.8GHz CPU
• System Chipset	Intel® 945GSE/ ICH7-M	Intel® ICH8-M
• I/O Chip	ITE IT8712F/KX	Winbond W83627DHG
• System Memory	Onboard 1GB DDR2, One 200-pin DDR2 SODIMM Supports Up to 2GB 400/ 533 SDRAM (1GB Per Bank)	Onboard 1GB Up to 2GB & One 204-pin SODIMM Support Up to 4GB DDR3 800 SDRAM
• SSD	One CF Socket Supports Type I/II Compact Flash Card	One CF Socket Supports Type I/II Compact Flash Card
• Hard Drive Bay	One 2.5" SATA HDD/ SSD	One 2.5" SATA HDD/ SSD
• WiFi	Optional USB or Mini PCIe WiFi Module	Optional USB or Mini PCIe WiFi module
• Watchdog Timer	Reset: 1 ~ 65535 sec./min. and 1min./step	Reset: 1 ~ 255min. and 1sec. or 1min./step
• H/W Status Monitor	Monitoring System Temperature, Voltage, with Auto Throttling Control	Monitoring System Temperature, Voltage, with Auto Throttling Control
• Expansion	1 x Mini PCI, 1 x Mini PCIe Slot	1 x Mini PCIe Slot
<b>Rear Panel I/O</b>		
• Serial Port	1 x RS-232	1 x RS-232
• Ethernet	2 x RJ-45 ( Realtek RTL8111C Gigabit Ethernet )	1 x RJ-45 (Intel® 82574L Gigabit Ethernet, Optional Dual 82574L Gigabit Ethernet)
• VGA	1 x DB-15	1 x DB-15
• Audio	1 x Line-out (Realtek ALC655 Supports 5.1-CH Audio)	1 x Line-out (Realtek ALC888 supports 5.1-CH Audio)
• USB	2 x USB 2.0	2 x USB 2.0
• Mouse & K/B	n/a	1 x PS/2 KB & MS
• Speaker	2 x 2W	2 x 2W



# PPC-17 Series

Fanless 17" SXGA TFT  
Multifunctional Plastic Panel PC

## Diagram



### Environment & Mechanical

• <b>Color</b>	Front & Rear Panel Black (Plastics)
• <b>Mounting</b>	Wall/ Stand/ VESA 100mm X 100mm
• <b>Power Input</b>	100 ~ 250 Vdc/ 47 ~ 63Hz
• <b>Power Output</b>	+12Vdc/ 5A (60W)
• <b>Operating Temperature</b>	0 ~ 40°C (32 ~ 104°F)
• <b>Storage Temperature</b>	-10 ~ 50°C (14 ~ 122°F)
• <b>Relative Humidity</b>	0% ~ 90% Relative Humidity, Non-condensing
• <b>Dimension (W x D x H)</b>	372mm x 324mm x 53mm
• <b>Weight</b>	3.79Kgs

1  
LPC  
Series

2  
PPC  
Series

3  
FPC  
Series

4  
MPC  
Series

5  
SPC  
Series

6  
MTP  
Series

7  
OPC/  
LCD Kit

8  
RISC

9  
ACC

## Ordering Information

- **PPC-1703**  
17" SXGA TFT Plastic Panel PC with Intel® Atom™ N270 1.6GHz CPU
- **PPC-1705**  
17" SXGA TFT Plastic Panel PC with Intel® Atom™ D525 Dual Core 1.8GHz CPU
- **ACC-WIFI-USB-6R**  
VNT6656G6A40 USB Module w/ Antenna, Cable
- **ACC-WIFI-PCIE-8R**  
WM5201 802.11b/g/n Mini Card w/ Antenna for PPC Series
- **ACC-MSR-004R**  
MSR with Bracket Set for PPC-1501
- **ACC-ARM-D1R**  
VESA STAND, 75 & 100mm
- **ADD-ARM-D23R**  
L Type Stylish Table Stand VESA 75 & 100mm
- **ACC-CF-XX**  
CompactFlash Card Series (xx=Capacity, Capacity Option: 128, 256, 512MB, 1, 2, 4, 8GB)