



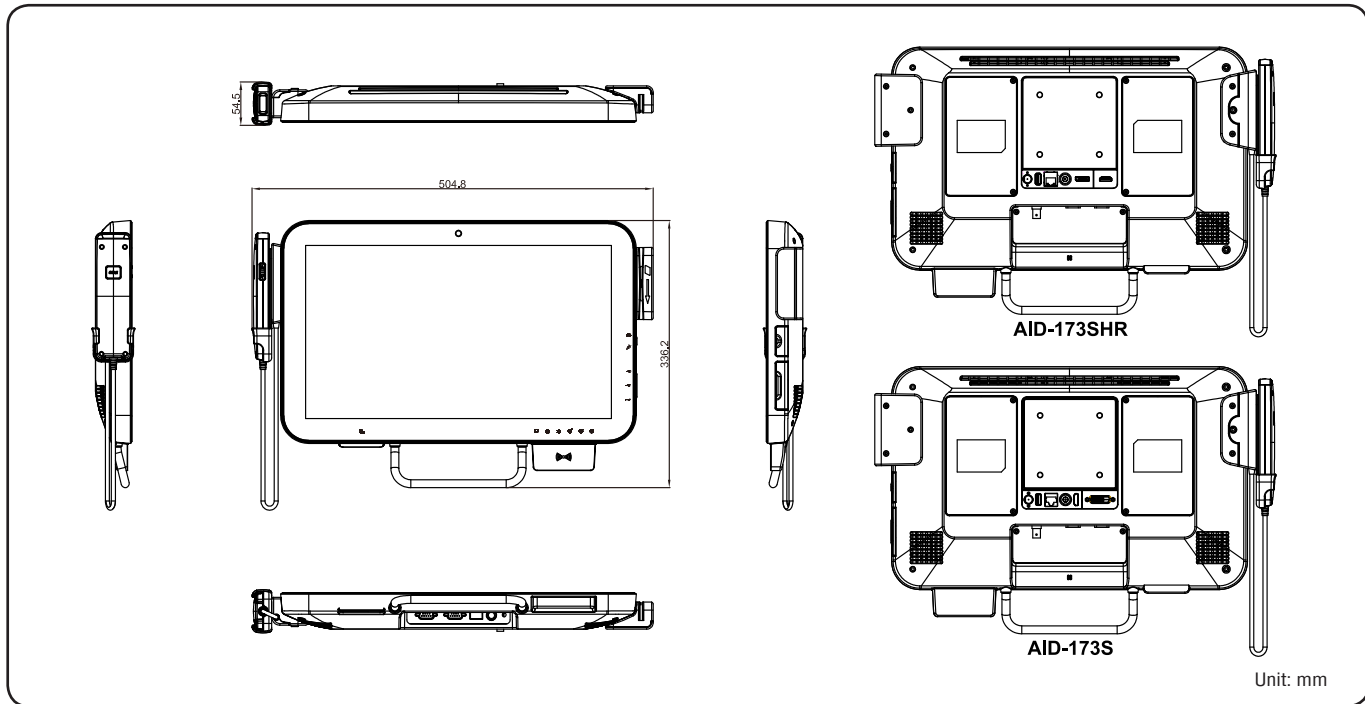
Features

- 17.3" 16:9 1080P Display and Touch Panel
- Intel® Core-i/ Celeron® / Atom™ Processors
- Advanced VOIP Handset with Barcode Scanner
- Medical Supporting Peripherals (MSR/ SCR/ RFID/ Barcode Scanner)
- Anti-Microbial Finish
- Fan-less and Low Noise for Quiet Environment
- Meet Hospital Safety
- Energy Saving

Specifications

| Model Name | AID-173SHR | AID-173S |
|------------------------|--|--|
| • LCD Size | 17.3", 16:9 | 17.3", 16:9 |
| • Resolution | 1920 x 1080 | 1920 x 1080 |
| • Backlight | LED | LED |
| • Touch Screen | 5-wire Resistive (Single Touch) | 5-wire Resistive (Single Touch) |
| • Water Proof | IP-65 on Front Panel | IP-65 on Front Panel |
| System | | |
| • Board | Customized Mainboard | Customized Mainboard |
| • CPU | Intel® Core™ i7-2610UE DC 1.5GHz Intel® Core™ i3-2340UE DC 1.3GHz Intel® Celeron® 847E DC 1.1GHz Intel® Celeron® 827E SC 1.4GHz | Intel® Atom™ N270 SC 1.6GHz CPU |
| • Cooling Method | Fanless | Fanless |
| • System Chipset | Intel® QM67 | Intel® 945GSE |
| • System Memory | 2GB DDR3 SODIMM (MAX 16GB) | 1GB DDR2 SODIMM (MAX 2GB) |
| • HDD Drive Bay | 2.5" SATA 320GB HDD (Optional) | 2.5" SATA 320GB HDD (Optional) |
| • Expansion | 3 x Mini PCIe | 3 x Mini PCIe |
| • Camera | 1.3M Pixel/ Optional 2.0M Pixel AF Camera | 1.3M Pixel/ Optional 2.0M Pixel AF Camera |
| • Card Readers | 1 x Smart Card Reader 1 x Magnetic Stripe Card Reader 1 x RFID Card Reader | 1 x Smart Card Reader 1 x Magnetic Stripe Card Reader 1 x RFID Card Reader |
| • WiFi | 802.11 b/g/n with Built-in Antenna (Optional) | 802.11 b/g/n with Built-in Antenna (Optional) |
| • Handset | Advanced Handset with Barcode Scanner | Advanced Handset with Barcode Scanner |
| • HD Acceleration | N/A | Broadcom CrystalHD (Optional) |
| • Speaker & Microphone | Built-in 2W Speakers and Microphone | Built-in 2W Speakers and Microphone |
| Rear Panel I/O | | |
| • Serial Port | 1 x RS-232 (DB9), 1 x RS-232/422/485 (DB9) | 1 x RS-232 (DB9), 1 x RS-232/422/485 (DB9) |
| • Ethernet | 1 x Gigabit Ethernet (RJ-45) | 1 x Gigabit Ethernet (RJ-45) |
| • HDMI | 1 x HDMI (Output) | 1 x HDMI (Output) |
| • Display Port | 1 x Display Port (Output) | N/A |
| • DVI | N/A | 1 x DVI (Output) |
| • Audio | 1 x Earphone (3.5mm Jack), 1 x Mic (3.5mm Jack) | 1 x Earphone (3.5mm Jack), 1 x Mic (3.5mm Jack) |
| • USB | 4 x USB 2.0 (Type-A) | 4 x USB 2.0 (Type-A) |

Diagram



Environment & Mechanical

| | |
|---------------------------------|---|
| • Service Doors | 2 x Service Doors |
| • Finishing | Anti-microbial |
| • Color | White |
| • Mounting | VESA 75mm x 75mm |
| • Power Input | DC 12V ~ 19V |
| • Power Type | AC-DC Adapter (19V @ 65W) |
| • Operating Temperature | 5 ~ 40°C (41 ~ 104°F) |
| • Storage Temperature | -20 ~ 65°C (-4 ~ 149°F) |
| • Relative Humidity | 20% ~ 80% Relative Humidity, Non-condensing |
| • OS Support | XP/ WIN7/ WIN8 |
| • Certification | UL 60601-1, CE/ FCC Class B |
| • Dimensions (W x D x H) | 505mm x 336mm x 54.5mm |
| • Weight | 4.7Kgs |

Ordering Information

- **AID-173SHR01-S01R**
Intel® Core™ i7-2610UE Processor/ 320GB Hard Drive/ 2GB DDR3 Memory/ 1.3M Cam/ MSR/ SCR/ RFID/ Handset/ 19V Adapter
- **AID-173SHR02-S01R**
Intel® Core™ i3-2340UE Processor/ 320GB Hard Drive/ 2GB DDR3 Memory/ 1.3M Cam/ MSR/ SCR/ RFID/ Handset/ 19V Adapter
- **AID-173SHR03-S01R**
Intel® Celeron® 827E Processor/ 320GB Hard Drive/ 2GB DDR3 Memory/ 1.3M Cam/ MSR/ SCR/ RFID/ Handset/ 19V Adapter
- **AID-173SHR04-S01R**
Intel® Celeron® 847E Processor/ 320GB Hard Drive/ 2GB DDR3 Memory/ 1.3M Cam/ MSR/ SCR/ RFID/ Handset/ 19V Adapter
- **AID-173SF004-S01R**
Intel® Atom™ N270 Processor/ 320GB Hard Drive/ 1GB DDR2 Memory/ 1.3M Cam/ MSR/ SCR/ RFID/ Handset/ 19V Adapter

- 1 LPC Series
- 2 SPC Series
- 3 FPC Series
- 4 PPC Series
- 5 APC Series
- 6 BPC Series
- 7 UPC Series
- 8 MPC Series
- 9 OPM Series
- 10 AID Series
- 11 MTP Series
- 12 OPC Series
- 13 RISC
- 14 Accessories