



### Features

- 12.1" TFT LCD Display, Shatterproof Touch Screen
- Onboard Intel® Atom™ D525 Dual-Core 1.8GHz CPU
- Gigabit Ethernet, 2 x 2W Speakers
- 2 Mini PCIe, 1 CF, 1 COM, 2 USB
- Optional 2M Camera, MSR, VoIP & Barcode Scanner
- +12V ~ 28V Wide Voltage Input
- IP-65 Compliant Front Panel & IPX1 Top Side
- Anti-Bacteria Plastic Material
- EN60601-1/ CE/ FCC Class B/ RoHS Compliant
- Fanless Operation



### Panel

• LCD Size	12.1", 4:3
• Display Type	XGA
• Resolution	1024 x 768
• Pixel Pitch	0.24mm (H) x 0.24mm (V)
• Luminance	600cd/m <sup>2</sup>
• Contrast Ratio	700
• Viewing Angle	70 (U), 70 (D), 80 (L), 80 (R)
• Response Time	25ms
• Backlight	LED
• Touch Type	5-wire Resistive
• Touch Light Transmission	80%
• Touch Interface	USB

### System

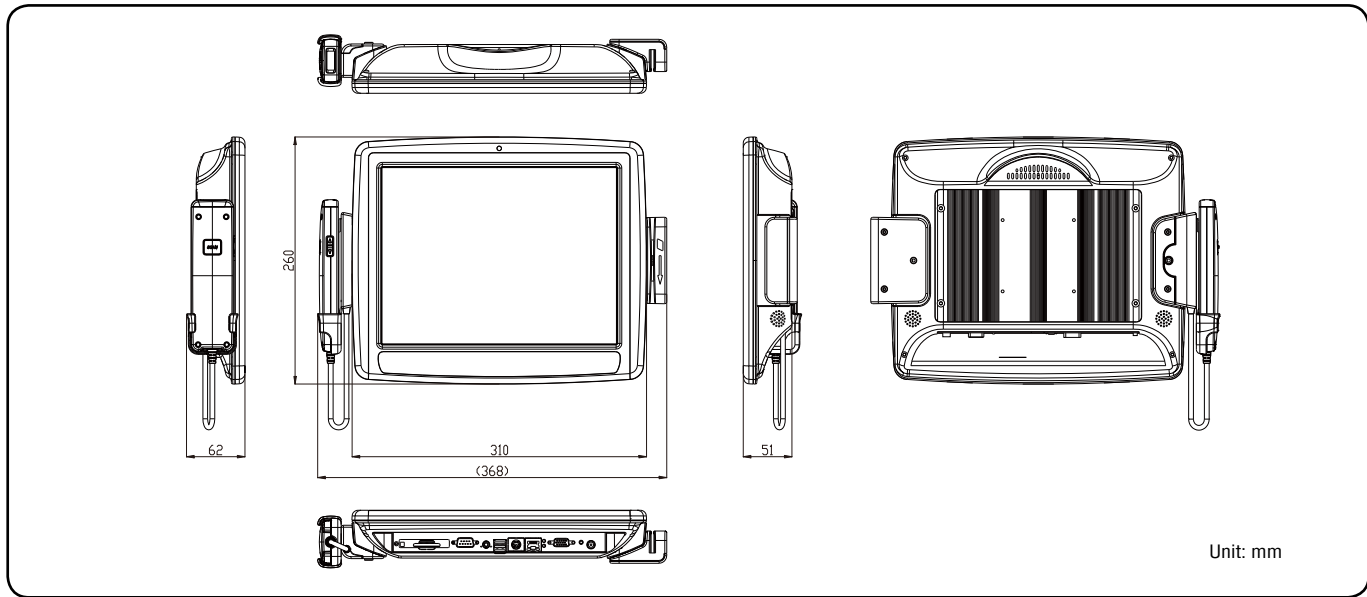
• CPU	Intel® Atom™ D525 Dual-Core 1.8GHz CPU
• BIOS	AMI 8Mbit Flash BIOS
• System Chipset	Intel® ICH8-M
• I/O Chip	Winbond W83627DHG
• System Memory	Onboard 1GB SDRAM and One SODIMM Supports Up to 3GB
• SSD	One Type I/II Compact Flash
• Hard Drive Bay	Optional One 2.5" HDD
• Watchdog Timer	Reset: 1sec. ~ 255min. and 1sec. or 1min./step
• H/W Status Monitor	Monitoring System Temperature, Voltage, Auto Throttling Control when CPU Overheats
• Expansion	2 x Mini PCIe



# MTP-1205

## Fanless 12.1" TFT Multifunctional Touch Panel PC

### Diagram



Unit: mm

#### Rear I/O

- **Serial Port** 1 x RS-232/422/485
- **Ethernet** 1 x RJ-45
- **VGA** 1 x DB-15
- **USB** 2 x USB 2.0
- **PS/2** 1 x PS/2 KB & MS

#### Display

- **Chipset** Intel® ICH8-M
- **Resolution** CRT Resolution: Up to 2048 x 1536  
LVDS Resolution: Up to UXGA (1600 x 1200)

#### Audio

- **AC97 Codec** Realtek ALC888, 5.1-CH HD Audio
- **Audio Port** 2 x 2W Speaker, 1 x Line-out

#### Ethernet

- **LAN Chip** Intel® 82574L Gigabit Ethernet
- **Ethernet Interface** 10/100/1000 Base-Tx Fast Ethernet Compatible

#### Mechanical & Environmental

- **Color** Front & Rear Panel White (Plastic)
- **Mounting** Wall/ Stand/ VESA 75mm X 75mm
- **Power Input** 100 ~ 250Vdc/ 47 ~ 63Hz
- **Power Output** +12V ~ 28V
- **Power Type** AT/ ATX
- **Operating Temp.** 32 ~ 104°F (0 ~ 40°C)
- **Operating Humidity** 0% ~ 90% Relative Humidity, Non-condensing
- **Dimensions** 310mm x 260mm x 51mm
- **Weight** 2.3Kgs

### Ordering Information

- **MTP-1205-D525**  
Fanless 12.1" XGA TFT Multifunctional Touch Panel PC with Intel® Atom™ D525 Dual-Core 1.8GHz CPU
- **ACC-ARM-D26R**  
VESA Stand, 75mm x 75mm

- 1 LPC Series
- 2 PPC Series
- 3 FPC Series
- 4 MPC Series
- 5 SPC Series
- 6 MTP Series
- 7 OPC/LCD Kit
- 8 RISC
- 9 ACC