

DATA SHEET

Capacitor for Power Electronics

TYPE : PVAJP 24 - 1,2/200

Standard acc. to IEC 61071
acc. to EN 61881

CHARACTERISTICS

Rated DC voltage	VDC	1 200
Voltage AC rms		
Capacitance	μF	200
C_N tolerance	%	- 10/+10
Current	A	30
u_{max} periodic	V	1 500
u_s non-periodic	V	1 800
i_{max} periodic	kA	2,5
Series resistance	mOhm	1,4
Self inductance	nH	< 50

THERMAL CONDITIONS

Dielectric losses	W/kvar	0,2
Case temperature	°C	-40/+70
Storage temperature	°C	-40/+70

SERVIS LIFE

Life expectancy	h	120 000
at hot spot	°C	55
Failure rate	FIT	300

DIMENSION

∅D	mm	85
H	mm	135
Spacing	mm	32
Terminal	M	M6x10
Torque for M6	Nm	5
Creep distance	mm	36
Strike distance	mm	20
Torque for M12 - bolt	Nm	5

TEST DATA (routine test)

Test voltage U_{T/T}	VDC	1 800
Test time	sec	10
Test voltage U_{T/C}	VAC	5 000
Test time	sec	10

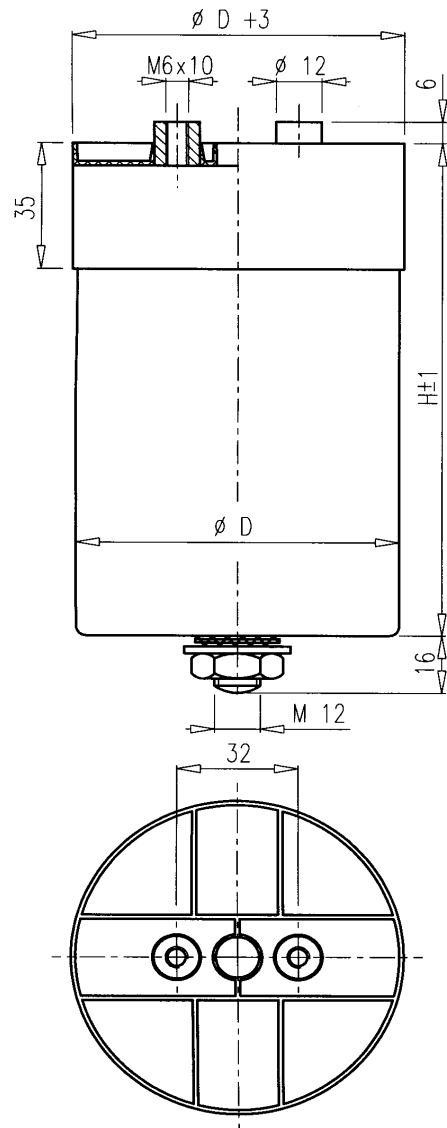
DESIGN

Design MKP metallized polypropylene capacitors encapsulated in Al case by polyurethan resin UL-94,V0, PCB and halogen free

Safety devices No fuse Without interrupter

Combustion load MJ 32

Weight kg 0,94



		DRAWN : Fal.
TYPE : see above	DRW. No. 3BP1222	APPVD :
		Date : 21.6.2008
	ZEZ-SILKO s.r.o. Pod Černým lesem CZ 564 22 ŽAMBERK Czech Republic	tel : +420 465 673 311 fax :+420 465 612 319 e-mail: zez@zez-silko.cz http://www.zez-silko.cz