

DATA SHEET

Capacitor for Power Electronics

TYPE : PVAJP 24 - 0,92/450 R45

Standard acc. to IEC 61071
acc. to EN 61881

CHARACTERISTICS

Rated DC voltage	VDC	920
Voltage AC rms		
Capacitance	μF	450
C _N tolerance	%	- 10/+10
Current	A	50
u _{max} periodic	V	1 150
u _s non-periodic	V	1 380
i _{max} periodic	kA	3,3
Series resistance	mOhm	1,2
Self inductance	nH	< 50

THERMAL CONDITIONS

Dielectric losses	W/kvar	0,2
Case temperature	°C	-40/+70
Storage temperature	°C	-40/+70

SERVIS LIFE

Life expectancy	h	120 000
at hot spot	°C	55
Failure rate	FIT	300

DIMENSION

∅D	mm	85
H	mm	135
t	mm	9
Spacing a	mm	45
Terminal T2 - T4	M	M8x13
Torque for M8	Nm	6
Creep distance	mm	31
Strike distance	mm	29
Torque for M12 - bolt	Nm	5

TEST DATA (routine test)

Test voltage U _{T/T}	VDC	1 380
Test time	sec	10
Test voltage U _{T/C}	VAC	5 000
Test time	sec	10

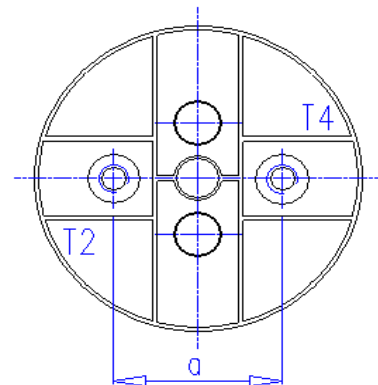
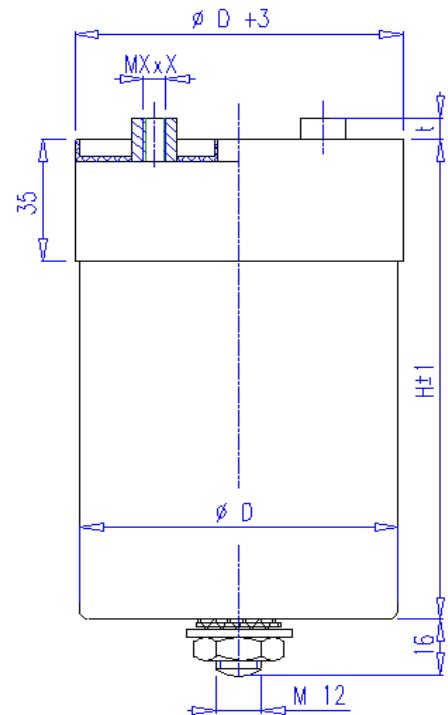
DESIGN

Design MKP metallized polypropylene capacitors encapsulated in Al case by polyurethan resin UL-94,V0, PCB and halogen free

Safety devices No fuse Without interrupter

Combustion load MJ 34

Weight kg 0,94



TYPE : see above		DRW. No. 3BP1220	DRAWN : Fal.
			APPVD :
			Date : 17.6.2008
	ZEZ-SILKO s.r.o.	tel : +420 465 673 311	
	Pod Černým lesem CZ 564 22 ŽAMBERK Czech Republic	fax :+420 465 612 319 e-mail: zez@zez-silko.cz http://www.zez-silko.cz	