

# DATA SHEET

## Filtering capacitor

**TYPE :** PVAJP 24 - 0,9/200

**Standard** acc. to IEC 61071  
acc. to EN 61881

### CHARACTERISTICS

Rated DC voltage	VDC	900
Voltage AC rms		
Capacitance	μF	200
C <sub>N</sub> tolerance	%	- 10/+10
Current	A	25

u <sub>max</sub> periodic	V	1 150
i <sub>max</sub> periodic	kA	2,5

Series resistance	mOhm	1
Self inductance	nH	< 50

### THERMAL CONDITIONS

Dielectric losses	W/kvar	0,2
Service temperature	°C	-25/+70
Storage temperature	°C	-40/+70

### SERVIS LIFE

Life expectancy	h	120 000
at hot spot	°C	55
Failure rate	FIT	300

### DIMENSION

ØD	mm	85
H	mm	100
Terminal	M	M6x10
Torque for M6	Nm	4
Creep distance	mm	38
Strike distance	mm	20
Torque for M12 - bolt	Nm	5

### TEST DATA

Test voltage U <sub>T/T</sub>	VDC	1 350
Test time	sec	10
Test voltage U <sub>T/C</sub>	VAC	3 000
Test time	sec	10

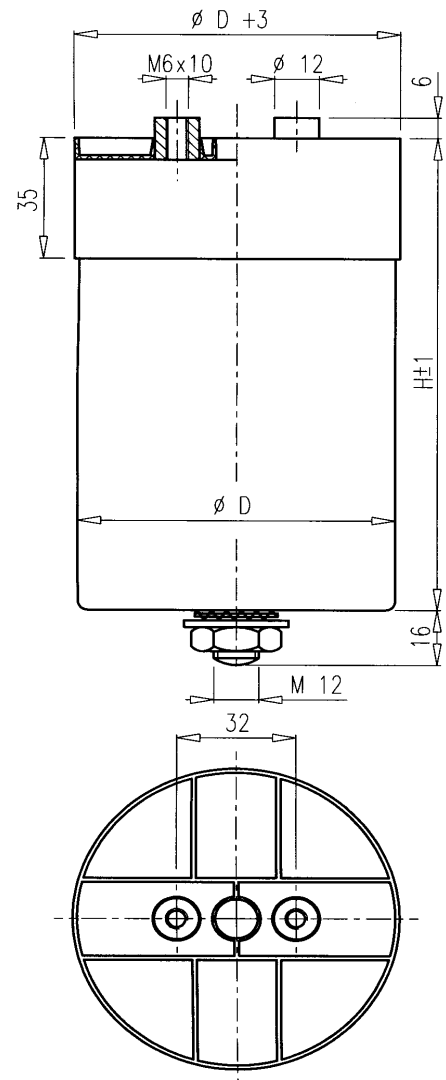
### DESIGN


**Design** MKP metallized polypropylene capacitors encapsulated in Al case by polyurethan resin UL-94,V0, PCB and halogen free

<b>Safety devices</b>	No fuse	Without interrupter
<b>Combustion load</b>	MJ	25

<b>Weight</b>	kg	0,7
---------------	----	-----

**Outline drawing**



TYPE : see above		DRW. No. 4J7445A	DRAWN : Michalovičová
			APPVD : Falta
			Date : 3.11.2006
	ZEZ-SILKO s.r.o.	tel : +420 465 673 301	
	Pod Černým lesem CZ 564 22 ŽAMBERK Czech Republic	fax : +420 465 612 319 e-mail : obchod@zez-silko.cz http://www.zez-silko.cz	