

DATA SHEET

Capacitor for Power Electronics

TYPE : PVAJP 24 - 0,8/500 R45

Standard acc. to IEC 61071
acc. to EN 61881

CHARACTERISTICS

Rated DC voltage	VDC	800
Voltage AC rms		
Capacitance	μF	500
C _N tolerance	%	- 10/+10
Current	A	50
u _{max} periodic	V	1 000
u _s non-periodic	V	1 200
i _{max} periodic	kA	3,4
Series resistance	mOhm	1,3
Self inductance	nH	< 50

THERMAL CONDITIONS

Dielectric losses	W/kvar	0,2
Service temperature	°C	-40/+70
Storage temperature	°C	-40/+70

SERVIS LIFE

Life expectancy	h	120 000
at hot spot	°C	55
Failure rate	FIT	300

DIMENSION

∅D	mm	85
H	mm	135
t	mm	9
Spacing a	mm	45
Terminal T2 - T4	M	M8x13
Torque for M8	Nm	6
Creep distance	mm	31
Strike distance	mm	29
Torque for M12 - bolt	Nm	5

TEST DATA (type test)

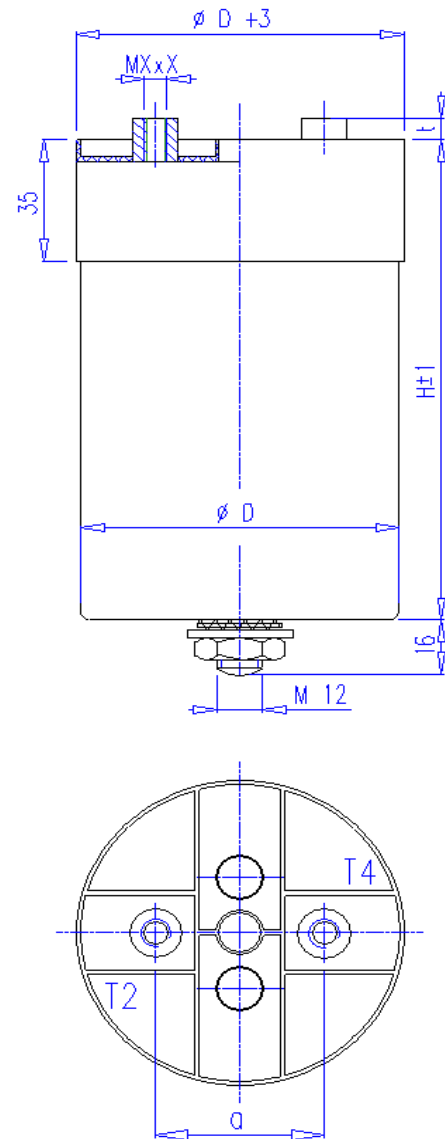
Test voltage U _{T/T}	VDC	1 200
Test time	sec	60
Test voltage U _{T/C}	VAC	4 000
Test time	sec	60

DESIGN

Design MKP metallized polypropylene capacitors encapsulated in Al case by polyurethan resin UL-94,V0, PCB and halogen free

Safety devices	No fuse	Without interrupter
Combustion load	MJ	34
Weight	kg	0,94

Outline drawing



		DRAWN : Fal.
TYPE : see above	DRW. No. 3BP1237	APPVD :
		Date : 22.1.2009
	ZEZ-SILKO s.r.o. Pod Černým lesem CZ 564 22 ŽAMBERK Czech Republic	tel : +420 465 673 111 fax : +420 465 612 319 e-mail : zez@zez-silko.cz http://www.zez-silko.cz