

DATA SHEET

Filtering capacitor

TYPE : PVAJP 24 - 0,8/500

Standard acc. to IEC 61071
acc. to EN 61881

CHARACTERISTICS

Rated DC voltage	VDC	800
Voltage AC rms		
Capacitance	μF	500
C _N tolerance	%	- 10/+10
Current	A	50
u _{max} periodic	V	1000
u _s non-periodic	V	1 200
i _{max} periodic	kA	3,4
Series resistance	mOhm	1,3
Self inductance	nH	< 50

THERMAL CONDITIONS

Dielectric losses	W/kvar	0,2
Service temperature	°C	-25/+70
Storage temperature	°C	-40/+70

SERVIS LIFE

Life expectancy	h	120 000
at hot spot	°C	55
Failure rate	FIT	300

DIMENSION

ØD	mm	85
H	mm	135
Terminal	M	M6x10
Torque for M6	Nm	4
Creep distance	mm	38
Strike distance	mm	20
Torque for M12 - bolt	Nm	5

TEST DATA

Test voltage U _{TT}	VDC	1 200
Test time	sec	10
Test voltage U _{TC}	VAC	4 000
Test time	sec	10

DESIGN

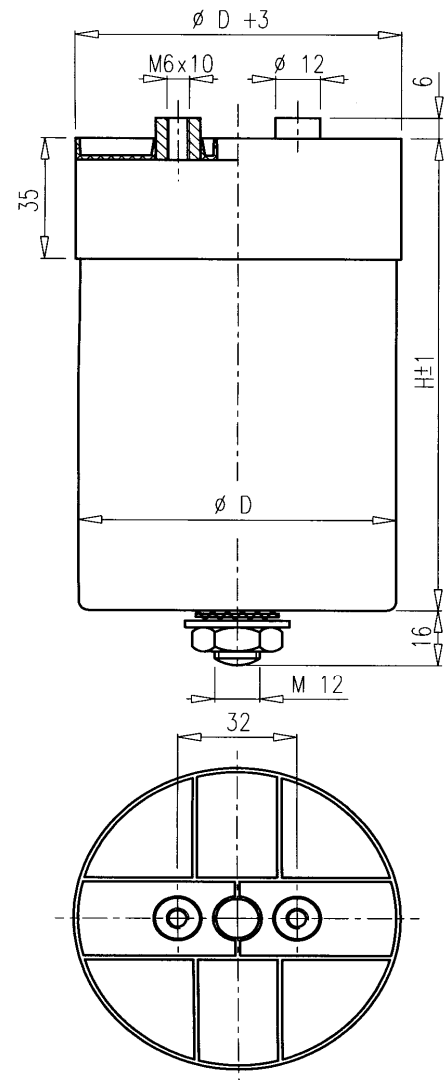
Design MKP metallized polypropylene capacitors encapsulated in Al case by polyurethan resin UL-94,V0, PCB and halogen free


Safety devices No fuse Without interrupter

Combustion load MJ 34

Weight kg 0,9

Outline drawing



TYPE : see above		DRW. No. 4J6880B	DRAWN : Fal.
			APPVD :
			Date : 12.4.2008
	ZEZ-SILKO s.r.o.	tel : +420 465 673 111	
	Pod Černým lesem CZ 564 22 ŽAMBERK Czech Republic	fax : +420 465 612 319 e-mail : zez@zez-silko.cz http://www.zez-silko.cz	