

DATA SHEET

Capacitor for Power Electronics

TYPE : PVAJP 24 - 1,1/450 R45

Standard unless otherwise stated acc. to IEC 61071
acc. to EN 61881

CHARACTERISTICS

Rated DC voltage	VDC	1 100
Capacitance	μF	450
C_N tolerance	%	- 15/+5
Current	A	60
u_{max} periodic	V	1 150
u_s non-periodic	V	1 650
i_{max} periodic	kA	3,5
Series resistance	mOhm	1,5
Self inductance	nH	< 25

THERMAL CONDITIONS

Dielectric losses	W/kvar	0,2
Service temperature	°C	-40/+70
Storage temperature	°C	-40/+70

SERVIS LIFE

Life expectancy	h	100 000
at hot spot	°C	55
Failure rate	FIT	100

DIMENSION

∅D	mm	85
H - case	mm	138
t - terminals	mm	6
Total height (H + t)	mm	144
Spacing a	mm	45
Terminal T2 - T4	M	M8 x 10
Torque for M8	Nm	6
Torque for M12 - bolt	Nm	5
Creep distance	mm	31
Strike distance	mm	29

TEST DATA (routine test)

Test voltage U_{T/T}	VDC	1 650
Test time	sec	10
Test voltage U_{T/C}	VAC	5 000
Test time	sec	10

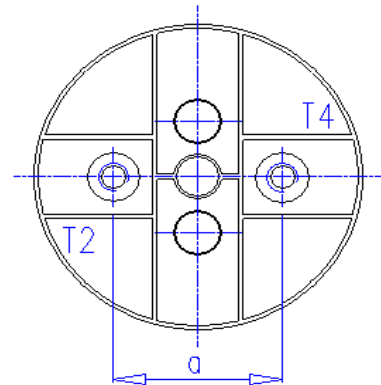
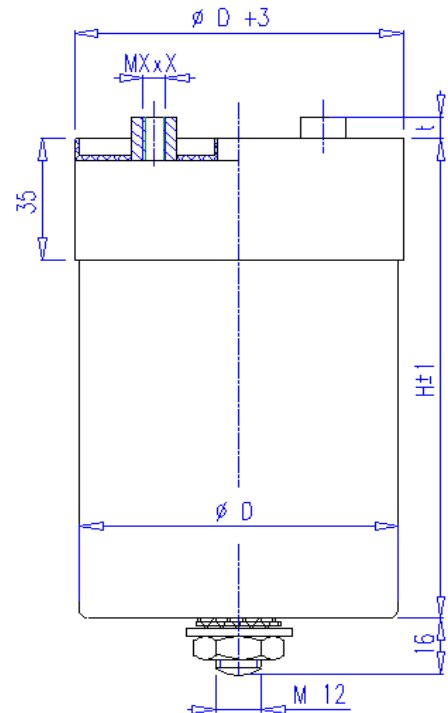
DESIGN


Design MKP metallized polypropylene capacitors encapsulated in Al case by polyurethan resin UL-94,V0, PCB and halogen free

Safety devices No fuse Without interrupter

Combustion load MJ 38

Weight kg 0,94



		DRAWN :	Fal.
TYPE :	see above	DRW. No.	3BP 1355
		APPVD :	
		Date :	22.4.2011
	ZEZ-SILKO s.r.o. Pod Černým lesem CZ 564 22 ŽAMBERK Czech Republic	tel : +420 465 673 111 fax :+420 465 612 319 e-mail : zez@zez-silko.cz http://www.zez-silko.cz	