

DATA SHEET

DC Filter Capacitor

for Power Electronics

TYPE : PVAJP 24 - 1,1/680

Standard acc. to IEC 61071

Rated DC voltage	VDC	1 100
AC voltage max	Vrms	250
Capacitance	µF	680
C_N tolerance	%	- 5/+ 5
U surge	V	1650
U peak/periodic	VDC	1100
I max / 60 C	A	60
I peak/periodic	kA	3,7
I peak	kA	18
Series resistance	mOhm	1,5
Self inductance	nH	55

Dielectric losses	W/kvar	0,15
Therm.resist.Rth.	K/W	2,2*)
*) No heating via terminals		
Climatic category	°C	25/70/21
Storage temp.	°C	- 40/+ 85

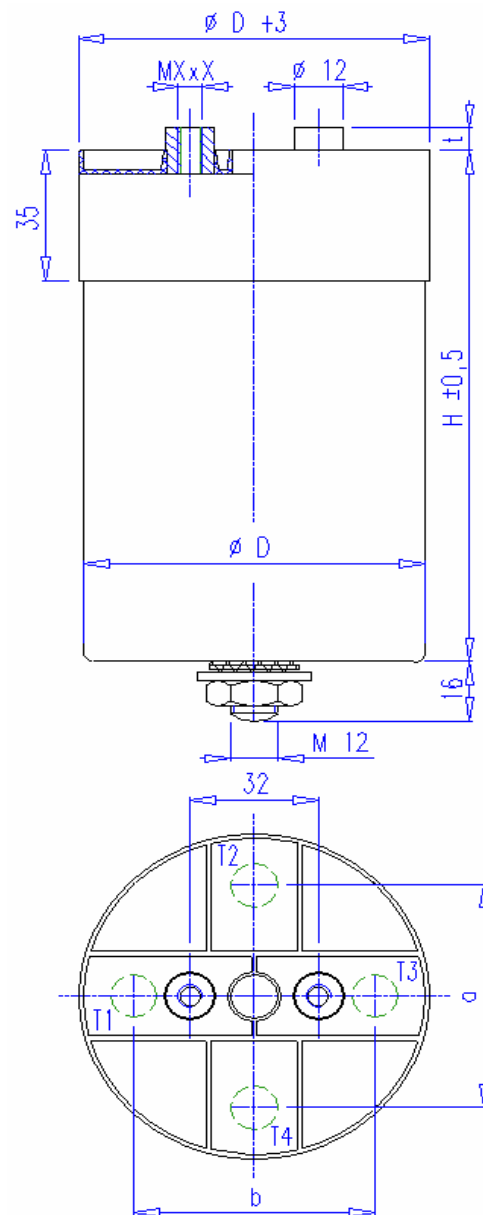
Life expectancy at hot spot	h	200 000
Failure rate	FIT	300

ØD	mm	85
H	mm	234
t	mm	4
Spacing	mm	32
Terminal	M	M6 x 10
Torque for M6	Nm	5
Torque for M12 - bolt	Nm	7
Creep distance	mm	36
Strike distance	mm	20

Test voltage U_{T/T}	VDC	1650/10s
Test voltage U_{T/C}	VAC	4000/2s

Fire load	MJ	48
Weight	kg	1,55

Outline drawing



Design MKP metallized polypropylene capacitors encapsulated in Al/plastic case by polyurethan resin UL-94,V0,dry PCB and halogen free No liquid filling

Safety devices No fuse Without interrupter
Selfhealing VDC max.2000

TYPE : see above		DRW. No. 4J 6991 A	DRAWN : R.H.
			APPVD :
			Date : 29.11.2005
	ZEZ-SILKO s.r.o.	tel : +420 465 673 301	
	Pod Černým lesem CZ 564 22 ŽAMBERK Czech Republic	fax : +420 465 612 319 e-mail : obchod@zez-silko.cz http://www.zez-silko.cz	