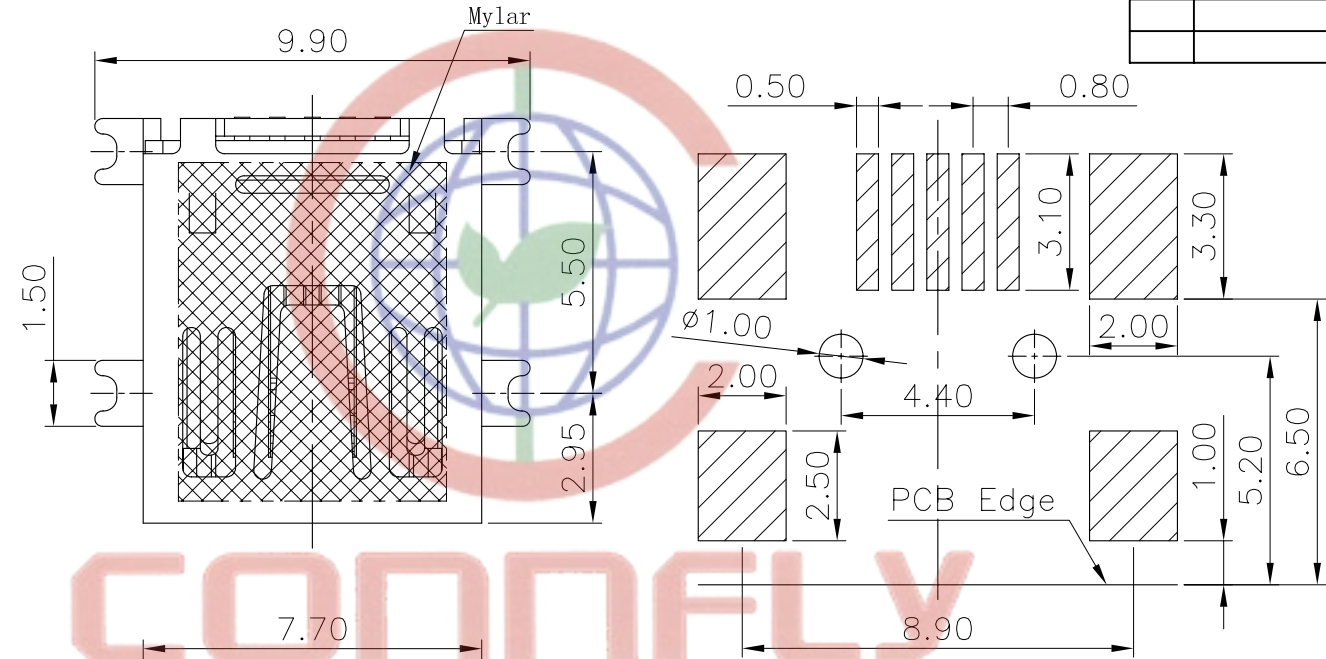
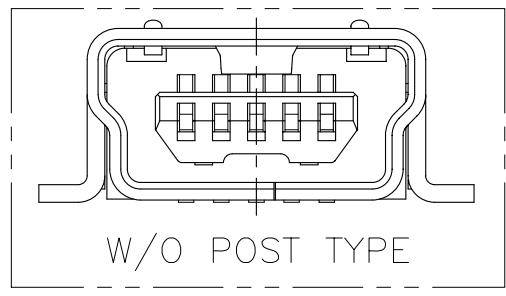
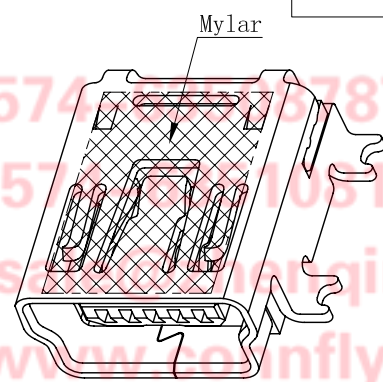
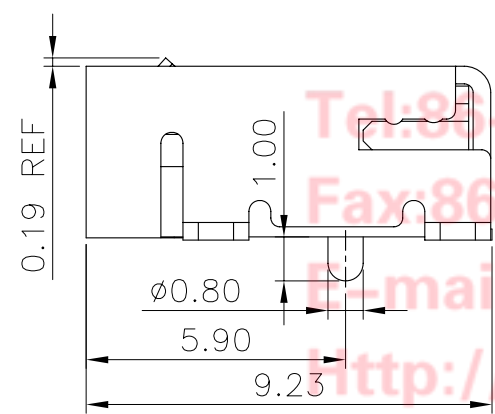
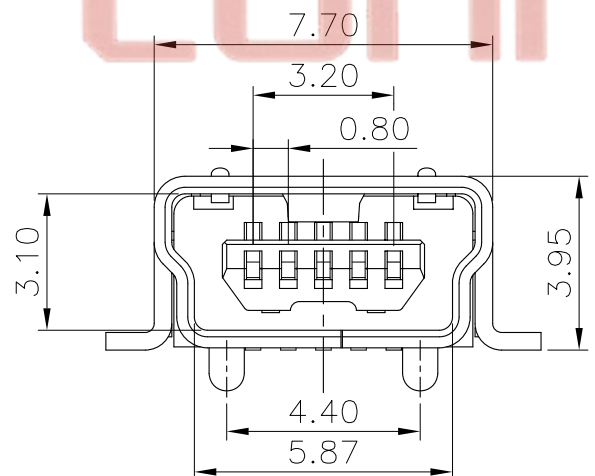


REV.	DESCRIPTION	DRAWN	CHECKED	APPROVED
A	NEW RELEASE	YCH 10/21/08'	~	



- NOTES:
- SPECIFICATIONS
 - CONTACT RESISTANCE: 50mΩ Max.
 - INSULATOR RESISTANCE: 100MΩ Min.
 - DIELECTRIC STRENGTH: 100VAC FOR 1 Minute.
 - DURABILITY: 5000 CYCLES.
 - PRODUCT NUMBER CODE:
 DS1104 - X X X X X X
 X: POST SUPPORT
 S: W/ POST
 X: W/O POST
 R: TAPE ON REEL
 B: TUBE
 MYLAR SUPPORT
 S: W/ MYLAR
 X: W/O MYLAR
 CONTACT PLATING
 0: SELECTIVE GOLD FLASH
 C: SELECTIVE 3u" GOLD
 SHELL PLATING
 N: FULL NICKEL
 6: FULL MATT TIN (RECOMMENDED)
 8: FULL GOLD
 COLOR OF HOUSING
 B: BLACK

RECOMMEND PCB LAYOUT (TOLERANCE = ±0.05)



GENERAL TOLERANCE		ANGLE TOLERANCE		PROJECTION	UNIT	TITLE
X.	±0.60	X.	±5°	⊕	mm	MINI USB B TYPE 5 pos. RECEPTACLE SMT TYPE
.X	±0.38	.X	±3°			
.XX	±0.25	.XX	±2°			
DRAWING TYPE		CUSTOMER		SHEET SIZE	A4	SERIES DS1104 SERIES
SCALE		1:1	SHEET	1 OF 1		
DRAWING NO.		C-DS1104-XXXXXX				


晨翔电子有限公司
CONNFLY CONNFLY ELECTRONIC CO. LTD