

REV.	DESCRIPTION	DRAWN	CHECKED	APPROVED
A	NEW RELEASE	YCH 09/04/08'	~	

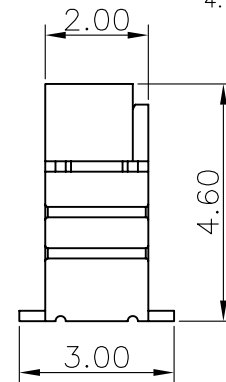
NOTES:

- MATERIAL
 - INSULATOR:THERMOPLASTIC(UL 94V-0).
 - CONTACT: COPPER ALLOY.
- SPECIFICATION
 - TEMPERATURE:-45~+110°C.
 - CONTACT RESISTANCE:30mΩ max.
 - INSULATION RESISTANCE:100MΩ min.
 - DIELECTRIC WITHSTANDING VOLTAGE:AC 100V PER MINUTE.

3. PART NUMBER: DS1020-08

4. PRODUCT NUMBER CODE:

DS1020-08- X X X X

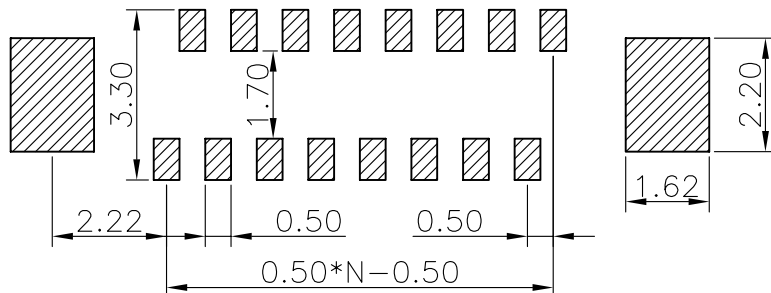
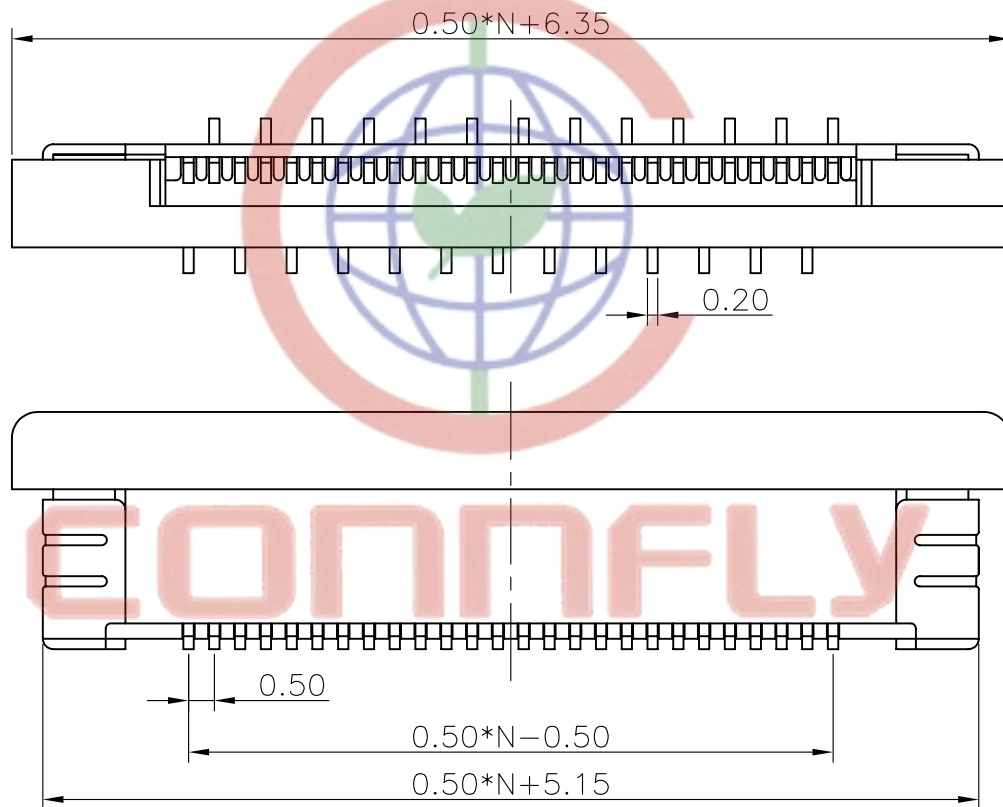


CONTACT PLATING
T1: TIN

COVER COLOR
B:BLACK

HOUSING COLOR
V:IVORY

No. OF CONTACTS
04~39



RECOMMEND PCB LAYOUT(TOLERANCE=±0.05)

Tel: 86-574-63508787


Fax: 86-574-63510817

E-mail: sale@zhenqin.com.cn

GENERAL TOLERANCE		ANGLE TOLERANCE	
X.	±0.60	X.	±5°
.X	±0.38	.X	±3°
.XX	±0.25	.XX	±2°

DRAWING TYPE	CUSTOMER
SCALE	1:1
DRAWING NO.	C-DS1020-08-XXXX

PROJECTION	TITLE
UNITS	0.50mm FPC CONNECTOR
SHEET SIZE	ZIF V/T SMT TYPE
	SERIES DS1020-08 SERIES


晨翔电子有限公司
CONNFLY CONNFLY ELECTRONIC CO. LTD