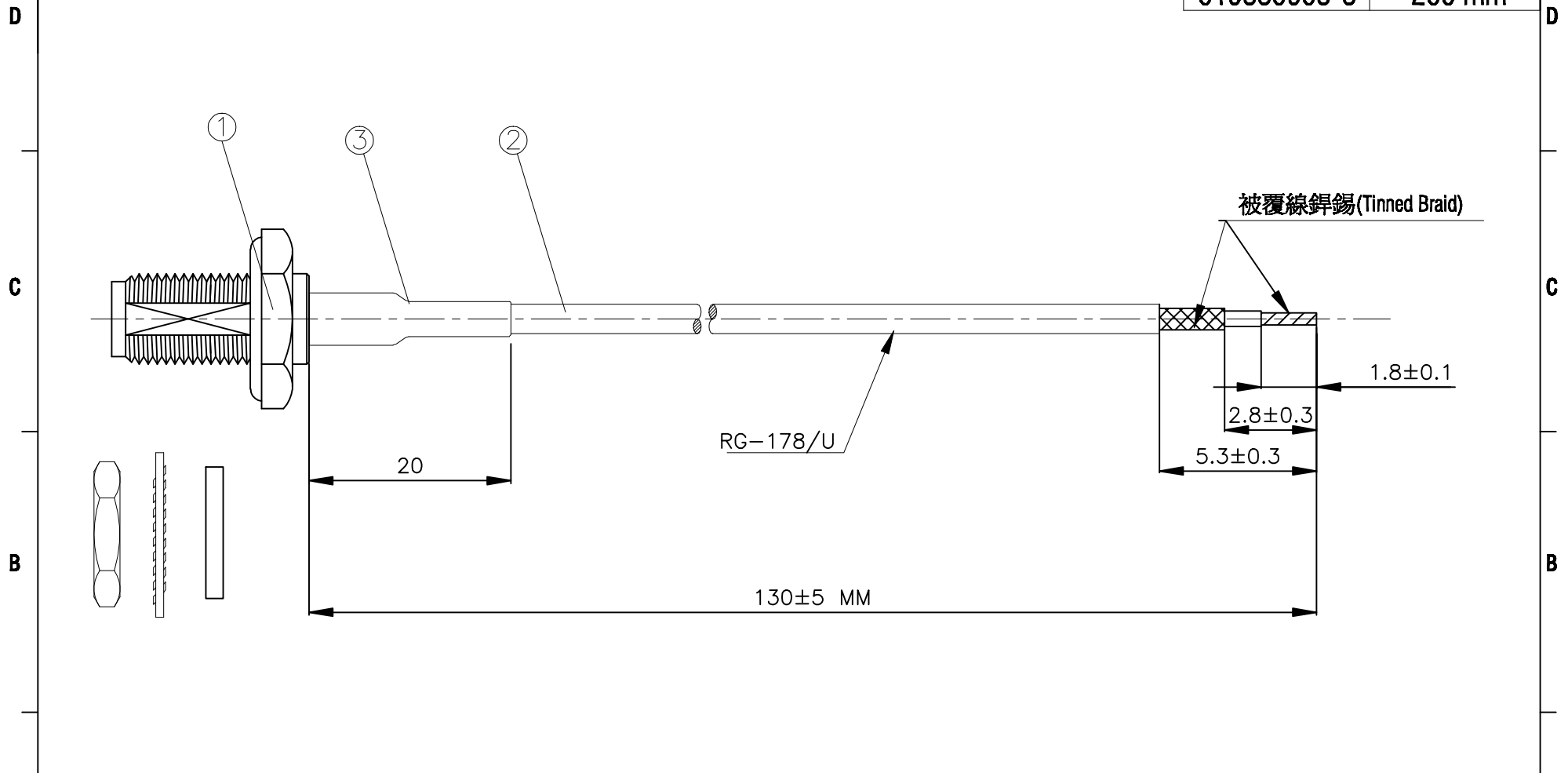
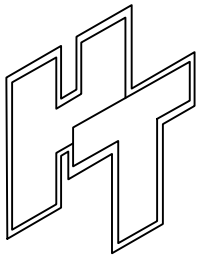


NO	DESCRIPTION	Q'TY	FINISH	PART NUMBER	REMARK
1	CONNECTOR	1	GOLD	SMA-05M-TGG	
2	CABLE	5	BLACK	RG-178/U	
3	SHRINKING TUBE	1	BLACK	RU-0033	
4	ASSEMBLY	1		L-019330903	

Nounber	Length
019330903-1	150mm
019330903-2	180mm
019330903-3	200 mm



	HUS-TSAN GROUP CO., LTD. P.O.BOX 40-76.TAINAN.TAIWAN,R.O.C.		DRAWN 蘇姿潔 DATE 101.11.09	DIMENSIONS ARE IN MILLIMETERS UNLESS OTHERWISE SPECIFIED TOLERANCE 0.5-5=±0.2 120-315=±1 5-30=±0.4 315-1000=±1.6 30-120=±0.6 1000-2000=±2.4 SCALE 4:1 SIZE A	REVISION	
	TITLE SMA JACK- STRIPPING RG-178/U		CHECKED 蘇志欣 DATE 101.11.09		DESCRIPTION	ENGINEER
	PART NO. TBA-019330903		Q.A. 林妙禪 DATE			
	DRAWING NO. TBA-019330903		APPROVAL 徐慶霖 DATE			
			REVISION DATE			

4 3 2 1