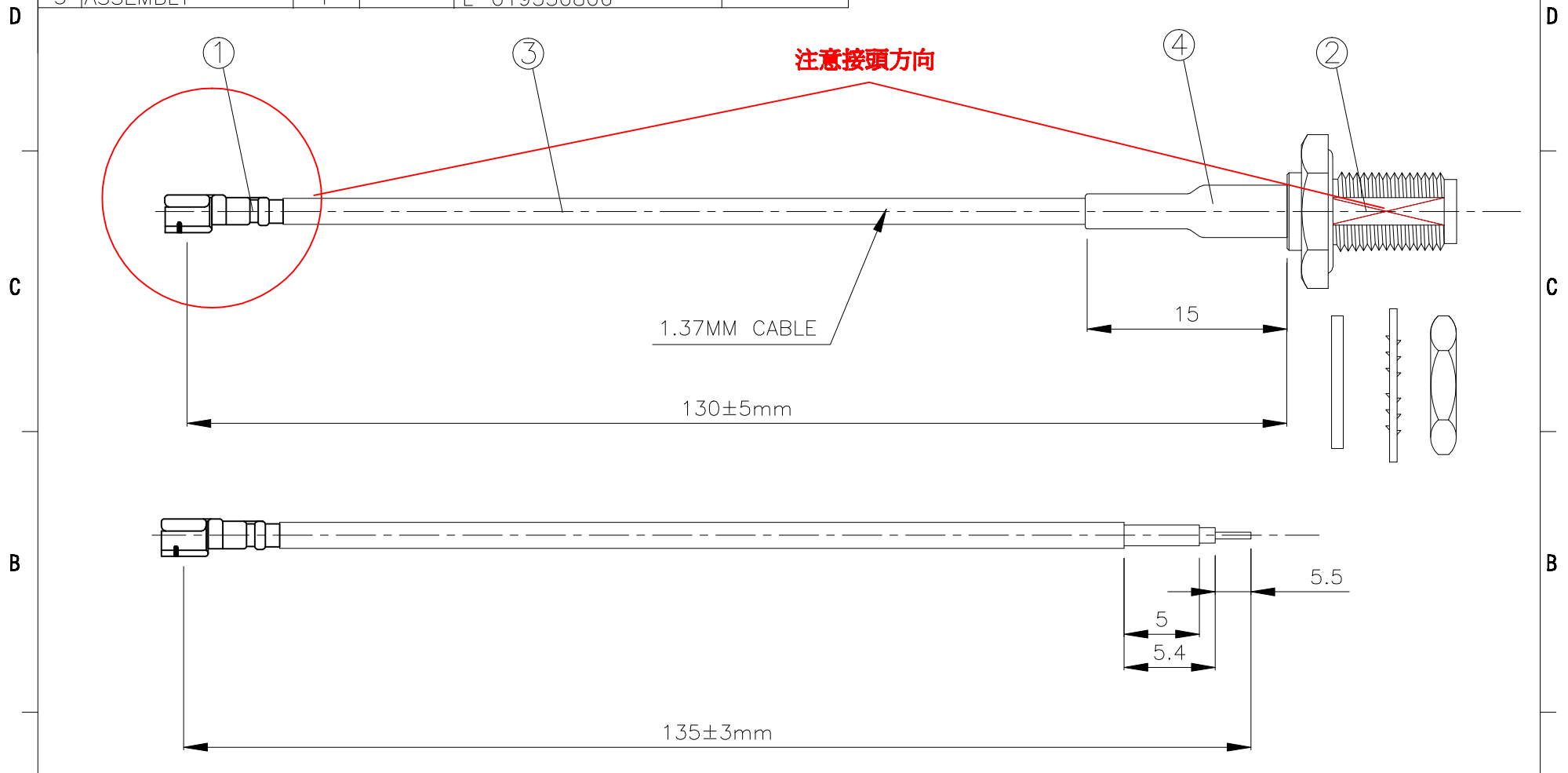
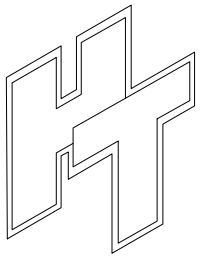


NO	DESCRIPTION	Q'TY	FINISH	PART NUMBER	REMARK
1	CONNECTOR	1	GOLD	IPEX -1.37	
2	CABLE	0.2		1.37MM MICRO CABLE	
3	CONNECTOR	1	GOLD	SMA-05U3-TGG	
4	SHRINKING TUBE	0.02	BLACK	RU-0034	
5	ASSEMBLY	1		L-019330806	



A		<b>HUS-TSAN GROUP CO., LTD.</b> P.O.BOX 40-76.TAINAN.TAIWAN,R.O.C.		DRAWN <b>蘇志欣</b> DATE <b>100.11.17</b>	DIMENSIONS ARE IN MILLIMETERS			REVISION	
		TITLE <b>MHF I PLUG - SMA JACK 1.37MM CABLE</b>		CHECKED <b>蘇姿潔</b> DATE	UNLESS OTHERWISE SPECIFIED TOLERANCE			DESCRIPTION	ENGINEER
		PART NO. <b>019330806</b>		Q.A. <b>林妙樺</b> DATE	0.5-5 = $\pm 0.2$ 120-315 = $\pm 1$				
		DRAWING NO. <b>019330806</b>		APPROVAL <b>徐燦霖</b> DATE	5-30 = $\pm 0.4$ 315-1000 = $\pm 1.6$				
				REVISION DATE	30-120 = $\pm 0.6$ 1000-2000 = $\pm 2.4$				
			SCALE <b>4:1</b>	SIZE <b>A</b>					