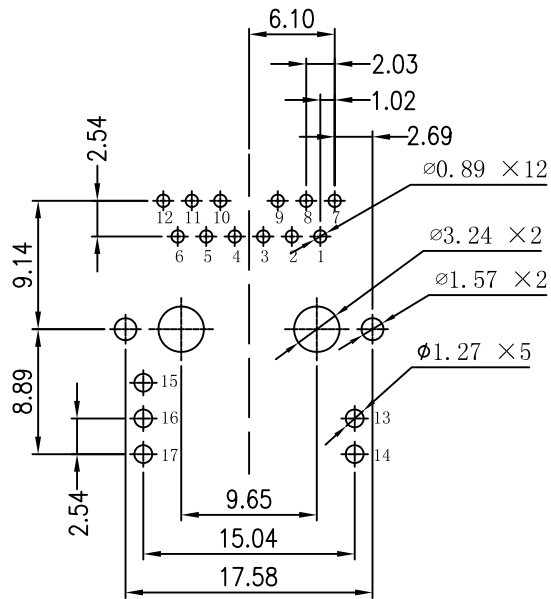
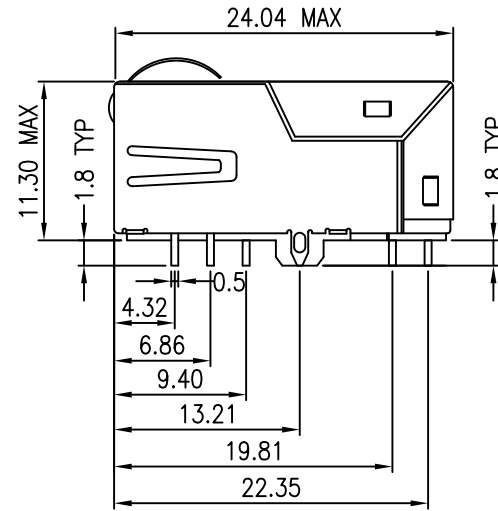
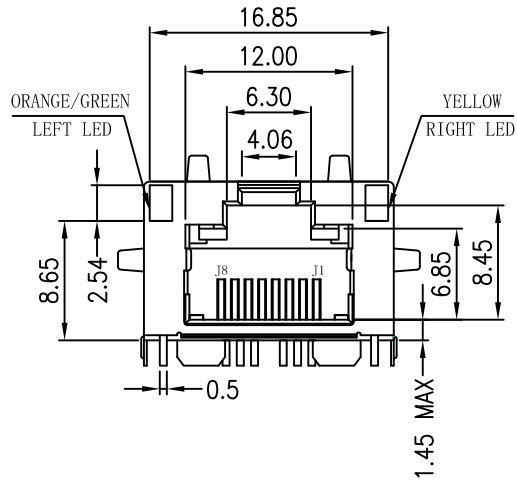
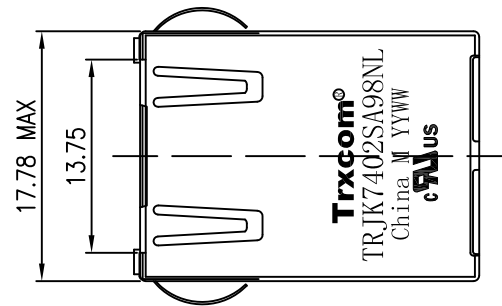


# Mechanical:



SUGGESTED PCB LAYOUT(TOP VIEW)



REV.	ECN NO.	DESCRIPTION	DATE	APPD
A	REL		2014/12/04	

## NOTES:

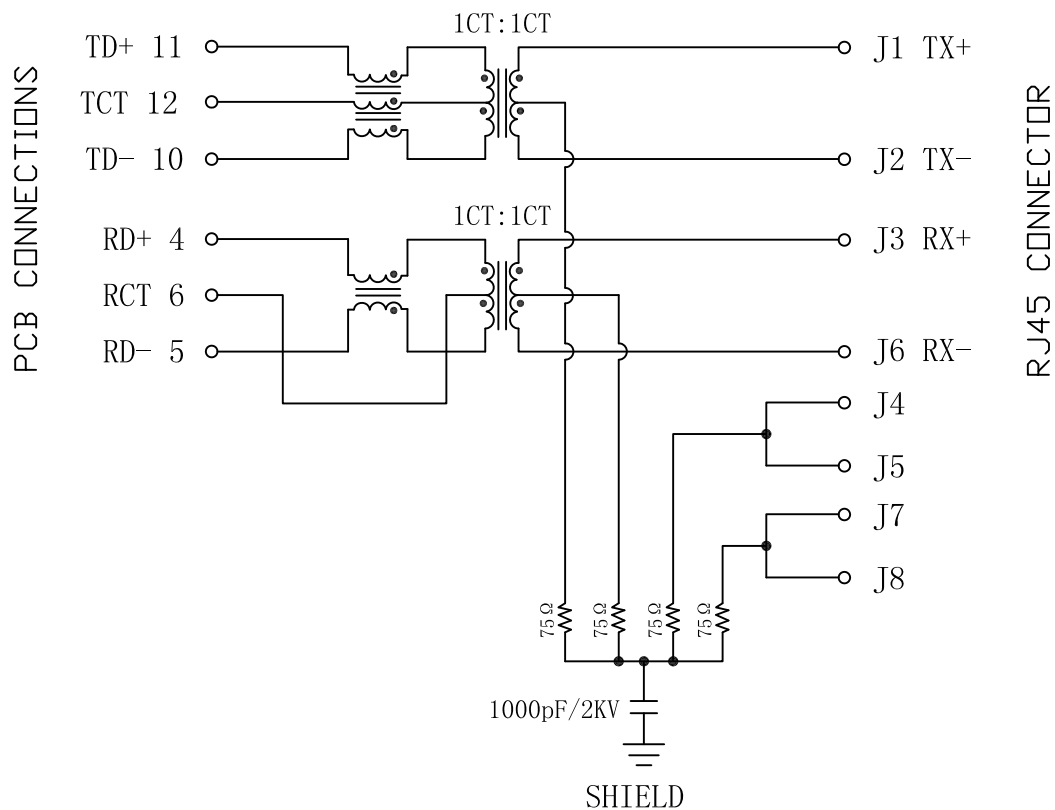
1. Designed to support application, such as SOHO (ADSL modems), LAN-on-Motherboard (LOM), hub and Switches.
2. Meets IEEE 802.3 specification
3. Connector Materials:  
Housing: Thermoplastic UL94V-0  
Contact/Shield: Copper alloy  
Shield plating: Nickel  
Contact plating: Gold 6 micro-inches min. In contact area.
4. Wave peak temperature: 260°C, 5Sec.
5. Operating Voltage: 3.3V-5V. Current: 350mA.
6. UL Certification: File Number E321120.



X:X	±0.30	APPD:	Trxcom	
X:XX	±0.25	CHKD:	ShenZhen Trxcom Electronics Co., ltd	
X:XXX	±0.05	DR: C.H.Y	TITLE: RJ45 Connector With 10/100 Base-TX Integrated Magnetic	
ANGLES	±1°	UNIT: mm	PART NO.: TRJK7402SA98NL	
	SCALE: 2/1	SHEET: 1/2	REV: A	DWG: TRC14120401

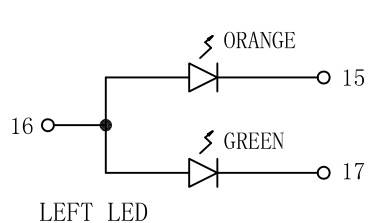
# Schematic:

REV.	ECN NO.	DESCRIPTION	DATE	APPD
A	REL		2014/12/04	

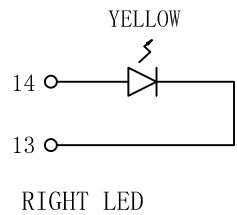


## Electrical Specifications @25°C

- Turns Ratio ( $\pm 3\%$ ):  
TX=1CT : 1CT      RX=1CT : 1CT
- OCL: 350uH MIN  
@100KHz, 100mV, 8mA bias current.
- Insertion Loss:  
1-100MHz: -1.0dB MAX
- Return Loss (@100Ω  $\pm 15\Omega$ ):  
1-10MHz: -18dB TYP  
30MHz: -18dB TYP  
60-80MHz: -12dB TYP  
80-100MHz: -10dB TYP
- Crosstalk (dB TYP):  
1-10MHz: -40  
32-65MHz: -35  
65-100MHz: -30
- Common Mode Rejection (dB MIN):  
1-125MHz: -30
- Hipot: 1500Vrms MIN
- Operating Temperature: -40°C ~ +85°C.



LED POLARITY			COLOR
PIN 15	PIN 16	PIN 17	
-	+	/	ORANGE
/	+	-	GREEN



LED POLARITY		COLOR
PIN 13	PIN 14	
-	+	YELLOW



Emitting Color	$\lambda$ p(nm)	VF@IF=20mA	IR @VR=5V
Orange/Green	610/570	1.8~2.6V	10 $\mu$ A max
Yellow	585	1.8~2.6V	10 $\mu$ A max

X:X	$\pm 0.30$	APPD:	Trxcom ShenZhen Trxcom Electronics Co., ltd
X:XX	$\pm 0.25$	CHKD:	
X:XXX	$\pm 0.05$	DR: C.H.Y	TITLE: RJ45 Connector With 10/100 Base-TX Integrated Magnetic
ANGLES	$\pm 1^\circ$	UNIT: mm	PART NO.: TRJK7402SA98NL
	SCALE: 2/1	SHEET: 2/2	REV: A      DWG: TRC14120401