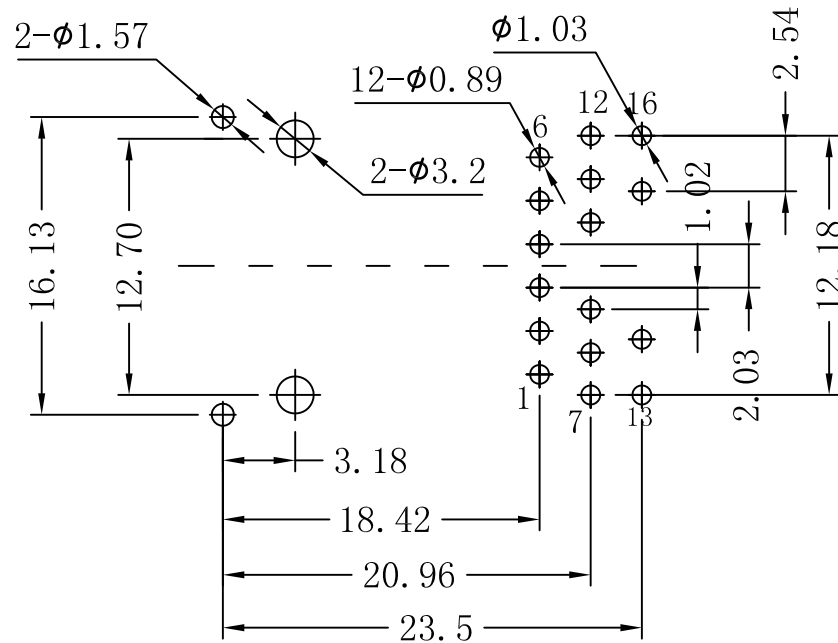
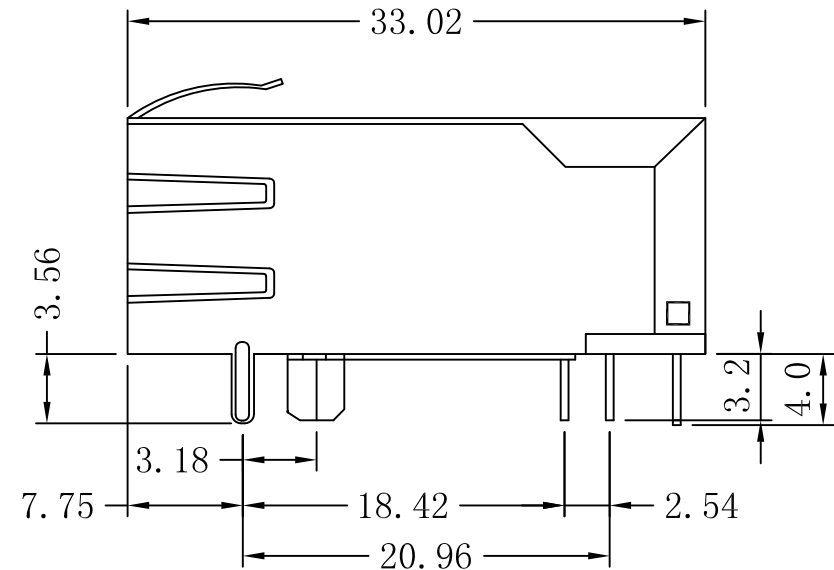
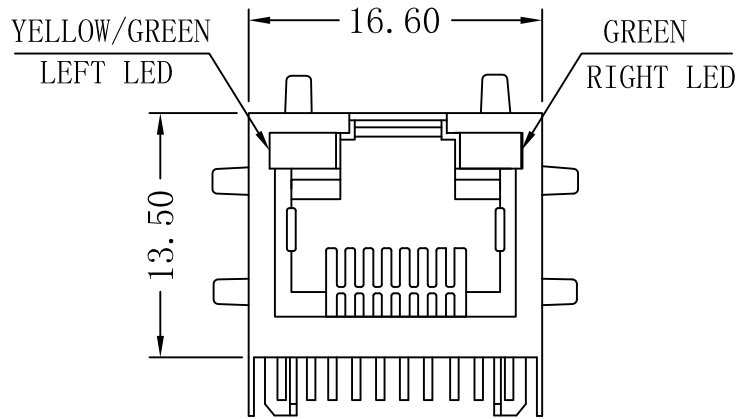


Mechanical:

REV.	ECN NO.	DESCRIPTION	DATE	APPD
A	REL		2013/11/25	



SUGGESTED PCB LAYOUT

NOTES:

1. Designed to support application, such as SOHO (ADSL modems), LAN-on-Motherboard (LOM), hub and Switches.
2. Meets IEEE 802.3 specification
3. Connector Materials:
 Housing: Thermoplastic UL94V-0
 Contact/Shield: Copper alloy
 Shield plating: Nickel
 Contact plating: Gold 6 micro-inches min. In contact area.
4. Wave solder tip temperature: 265°C Max
 Wave solder tip temperature time: 5 Sec Max
5. UL Certification: File Number E321120

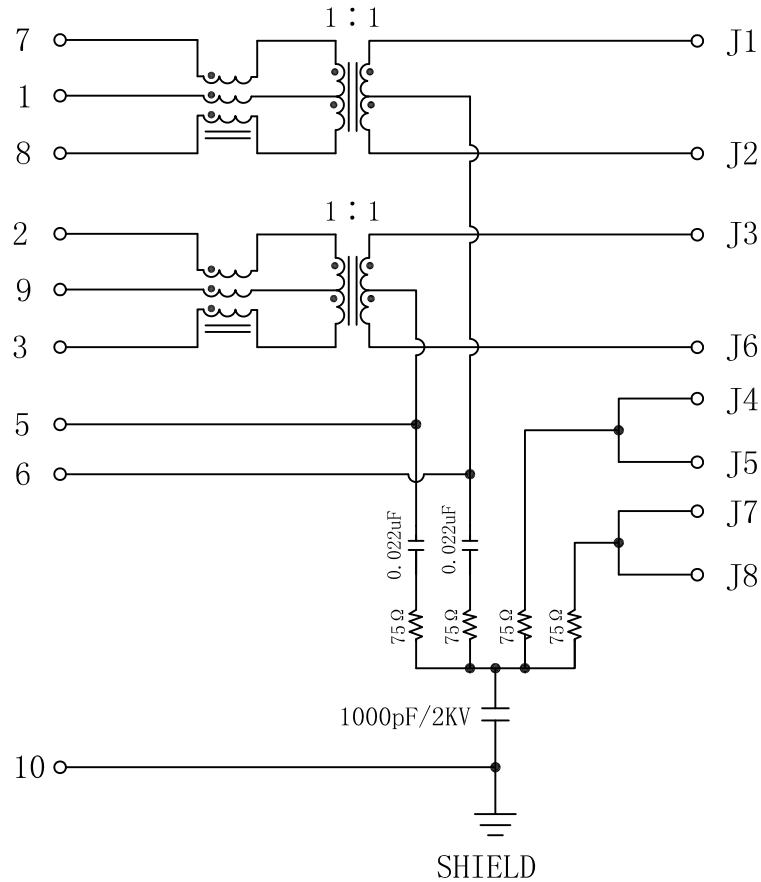


X:X	±0.20	APPD:	Trxcom
X:XX	±0.10	CHKD:	ShenZhen Trxcom Electronics Co., ltd
X:XXX	±0.05	DR: C. H. Y	TITLE: RJ45 Connector with 10/100 Base-TX Integrated Magnetic
ANGLES	±1°	UNIT: mm	PART NO.: TRJK0017AINL
	SCALE: 2/1	SHEET: 1/2	REV: A DWG NO.: TRC13112502

Schematic:

REV.	ECN NO.	DESCRIPTION	DATE	APPD
A	REL		2013/11/25	

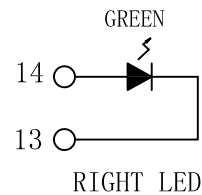
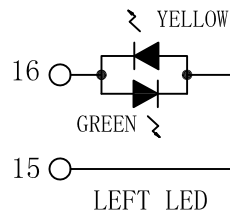
PCB CONNECTIONS



RJ45 CONNECTOR

Electrical Specifications @25°C

1. OCL: 350uH MIN
@100KHz, 100mV, 8mA bias current.
2. Turns Ratio(±2%): 1 : 1
3. Insertion Loss:
100kHz:-1.2dB MAX
1-125MHz:-1.0dB MAX
4. Return Loss(@100Ω ±15Ω):
0.1-30MHz:-16dB MIN
30-60MHz:-13dB MIN
60-80MHz:-10dB MIN
5. Crosstalk:
1MHz:-50dB MIN
10-100MHz:-30dB MIN
6. CMRR:
2MHz:-50dB MIN
30-200MHz:-18dB MIN
7. Hipot: 1500Vrms MIN
8. Operating Temperature: 0°C ~+70°C.



X:X	±0.20	APPD:	Trxcom	
X:XX	±0.10	CHKD:	ShenZhen Trxcom Electronics Co., ltd	
X:XXX	±0.05	DR: C.H.Y	TITLE: RJ45 Connector with 10/100 Base-TX Integrated Magnetic	
ANGLES	±1°	UNIT: mm	PART NO.: TRJK0017AINL	
	SCALE: 2/1	SHEET: 2/2	REV: A	DWG NO.: TRC13112502