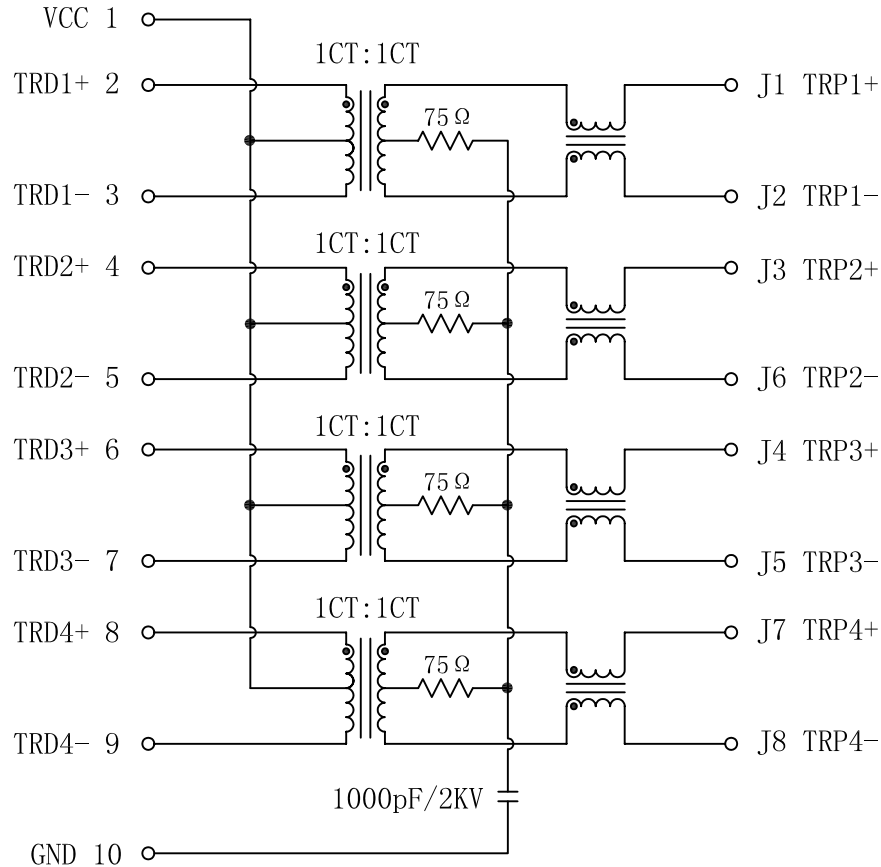


Schematic:

REV.	ECN NO.	DESCRIPTION	DATE	APPD
A	REL		2011/02/15	

PCB CONNECTIONS

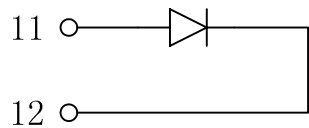


RJ45 CONNECTOR

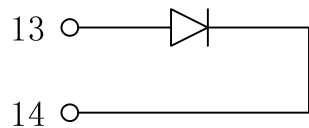
ELECTRICAL SPECIFICATIONS @25°C

- Turn Ratio ($\pm 5\%$):
TX=1CT:1CT RX=1CT:1CT
- Inductance OCL:
350uH MIN @100KHz/0.1V, 8mA DC Bias
- Insertion Loss:
-1.0dB MAX @ 1-100MHz
- Return Loss:
-18dB MIN @ 1-30MHz
-16dB MIN @ 30-60MHz
-12dB MIN @ 60-80MHz
-10dB MIN @ 80-100MHz
- Cross talk:
-30dB MIN @ 1-100MHz
- Common Mode Rejection:
-43dB MIN @ 30MHz
-37dB MIN @ 80MHz
-33dB MIN @ 100MHz
- CMRR: -30dB Min @1-100MHz
- Hipot Test: 1500Vrms MIN
- Operating Temperature Range: 0°C TO 70°C

GREEN/LEFT LED



YELLOW/RIGHT LED



X:X ±0.30	APPD:	Trxcom		
X:XX ±0.20	CHKD:	ShenZhen Trxcom Electronics Co., ltd		
X:XXX ±0.05	DR: C. H. Y	TITLE: RJ45 Connector with 1000 BASE-TX Integrated Magnetic		
ANGLES $\pm 1^\circ$	UNIT: mm	PART NO.: TRJG26820BENL		
	SCALE: 2/1	SHEET: 2/2	REV: A	DWG NO.: TRC11021504