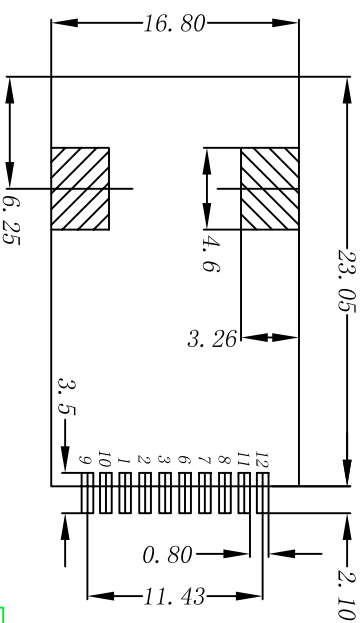
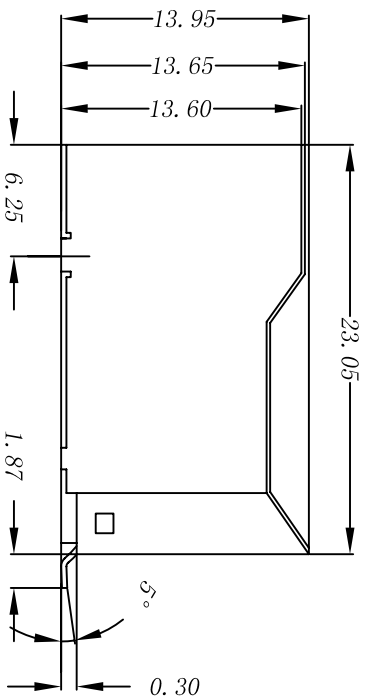
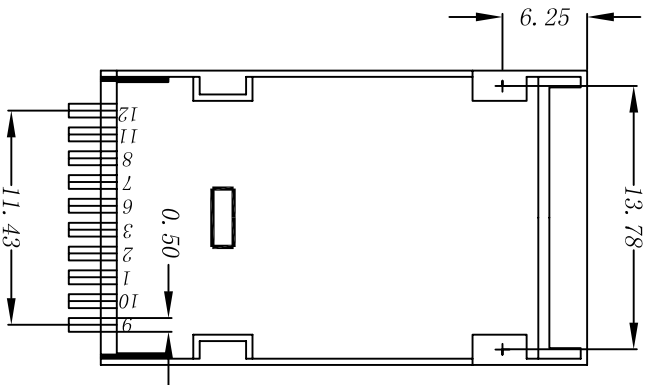
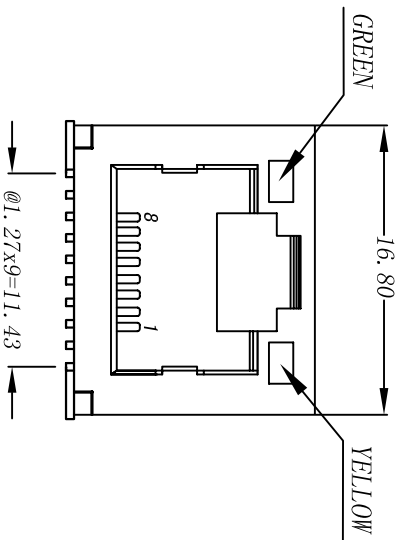


# Mechanical :



SUGGESTED PCB LAYOUT (TOP VIEW)

## NOTES:

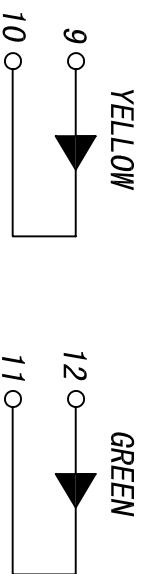
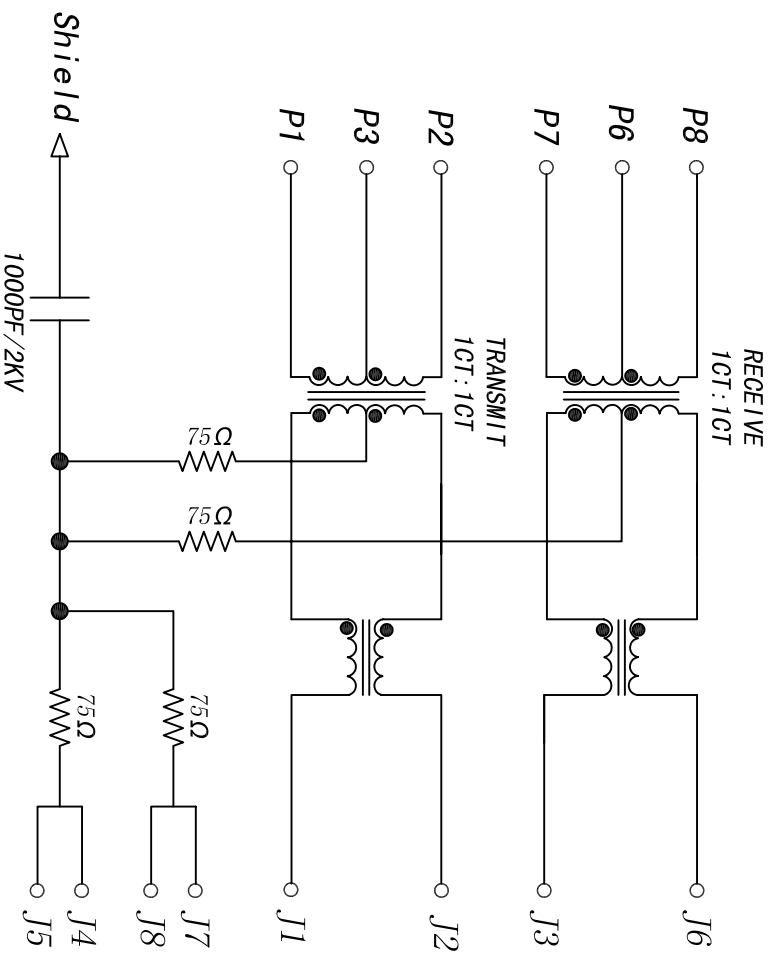
1. Designed to support VoIP application
2. Meets IEEE 802.3 specification
3. Connector Materials:  
Housing: Thermoplastic LCP+30%G. F UL94V-0  
Contact/Shield: Copper alloy  
Shield plating: Nickel  
Contact plating: Gold 6 micro-inches min. In contact area.



X: X	±0.20	APPD:	<b>Trxcom</b>	
X: XX	±0.10	CHKD: miles	Shenzhen Trxcom Electronics Co., Ltd	
X: XXX	±0.05	DR:	TITLE: Surface Mount IXL Tab-Up Jack With 10/100 Magnetic SMT	
ANGLES	±1°	UNIT: mm	PART NO. : TRJ19201BRNL	
	SCALE: 2/1	SHEET: 1/2	REV: A	DWG NO. :

REV.	ECN NO.	DESCRIPTION	DATE	APPD
A	REL		04/09/2007	

# Schematic:



REV.	ECN NO.	DESCRIPTION	DATE	APPD
A	REL		04/09/2007	

- Electrical Specifications@25°C:
- Turns Ratio ( $\pm 2\%$ ) :  
TX=1CT:1CT RX=1CT:1CT
  - Inductance OCL:  
350uH MIN@100KHz/0.1V, 8mA DC Bias
  - Return Loss (Min) :  
1-60MHZ:-14dB  
60-100MHZ:-10dB
  - Crosstalk (Min) :  
1-80MHZ:-35dB
  - Insertion Loss (Max) :  
1-80MHZ:-1.0dB  
100MHZ:-1.2dB
  - Isolation Voltage:1500V
  - IR Reflow peak temperature:260degC
  - Operating Temperature:0~70°C



X:X	±0.20	APPD:	<b>Trxcom</b>	
X:XX	±0.10	CHKD: miles	ShenZhen Trxcom Electronics Co., Ltd	
X:XXX	±0.05	DR:	TITLE: Surface Mount IXL Tab-Up Jack	
ANGLES	±1°	UNIT: mm	PART NO.: TRJ19201BBVL	
	SCALE: 2/1	SHEET: 2/2	REV: A	DWG NO.: