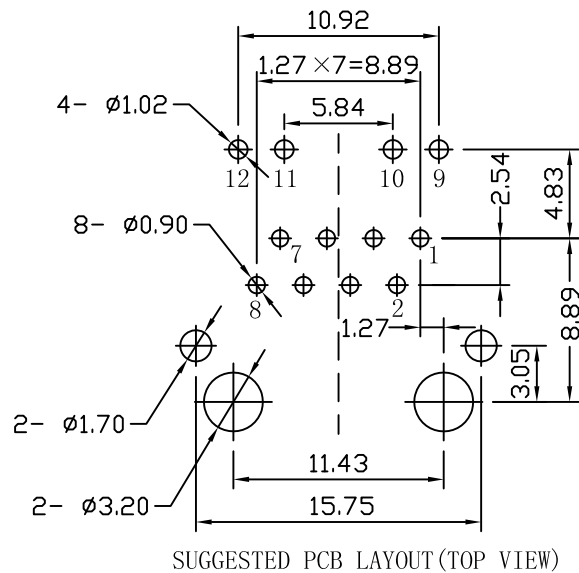
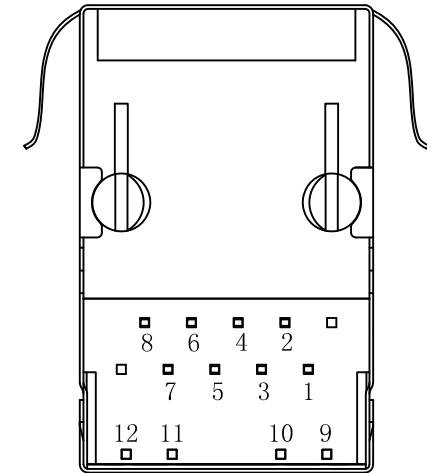
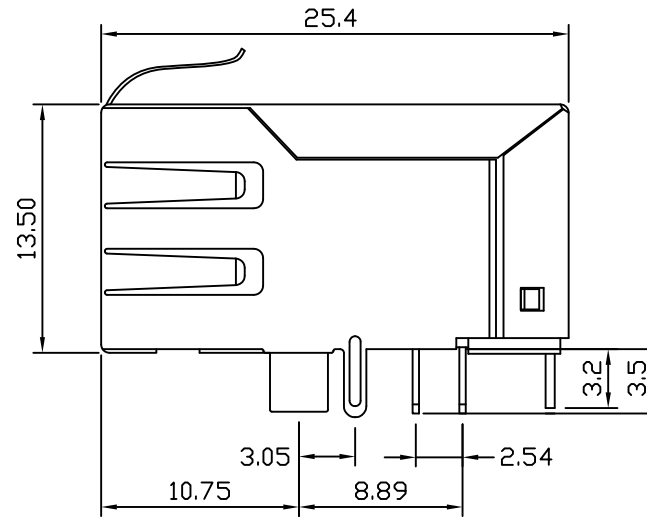
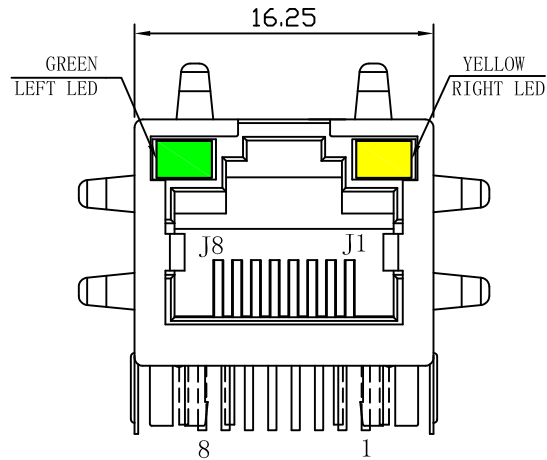


# Mechanical:

REV.	ECN NO.	DESCRIPTION	DATE	APPD
A	REL		2009/11/13	



## NOTES:

1. Designed to support application, such as SOHO (ADSL modems), LAN-on-Motherboard (LOM), hub and Switches.
2. Meets IEEE 802.3 specification
3. Connector Materials:  
Housing: Thermoplastic UL94V-0  
Contact/Shield: Copper alloy  
Shield plating: Nickel  
Contact plating: Gold 6 micro-inches min. In contact area.
4. Wave solder tip temperature: 260°C  
Wave solder tip temperature time: 5 Sec Max
5. UL Certification: File Number E321120

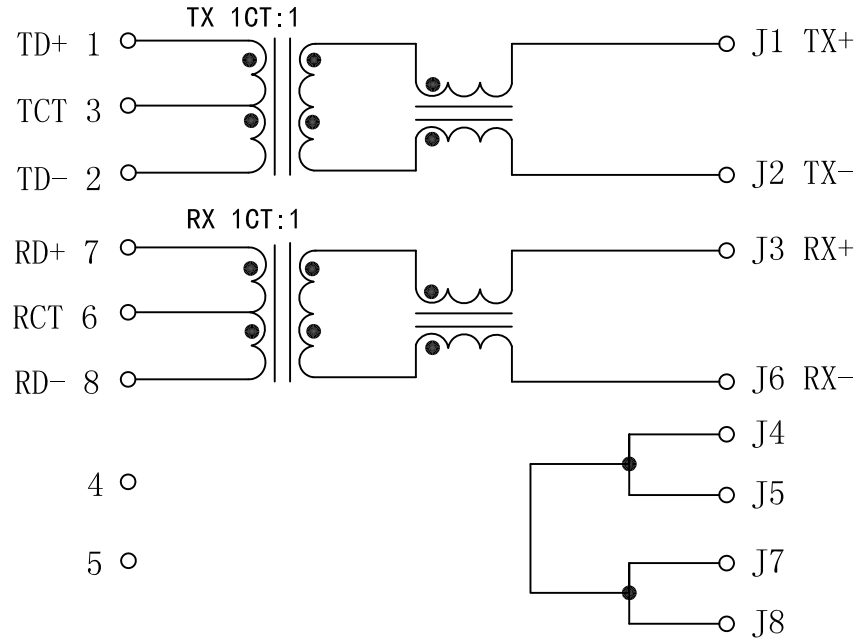


X:X	$\pm 0.25$	APPD:	Trxcom	
X:XX	$\pm 0.20$	CHKD:	ShenZhen Trxcom Electronics Co., ltd	
X:XXX	$\pm 0.05$	DR: C. H. Y	TITLE: RJ45 Connector with 10/100 Base-T Integrated Magnetics	
ANGLES	$\pm 1^\circ$	UNIT: mm	PART NO.: TRJ1006ABNL	
	SCALE: 2/1	SHEET: 1/2	REV: A	DWG NO.: TRC09111326

# Schematic:

REV.	ECN NO.	DESCRIPTION	DATE	APPD
A	REL		2009/11/13	

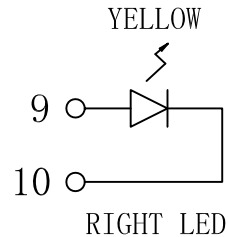
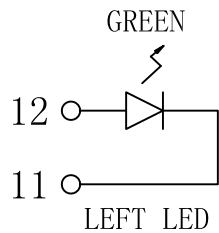
PC BOARD CONNECTIONS



RJ45 CONNECTOR

### Electrical Specification @25°C

- OCL: 350uH MIN  
@100KHz, 0.1Vrms, 8mADC BIAS
- Turns Ratio ( $\pm 2\%$ ):  
TX=1CT:1      RX=1CT:1
- Insertion Loss:  
1-65MHz: -1.2dB Max
- Return Loss(dB Min):  
1-10MHz:-20      10-30MHz:-16  
30-60MHz:-12      60-80MHz:-10
- Crosstalk(dB Min):  
1-30MHz:-40      30-60MHz:-35  
60-100MHz:-30dB
- CMR(dB Min):  
1-50MHz:-30      50-150MHz:-20
- Isolation Voltage: 1500Vrms Min
- Operating Temperature: 0°C ~ 70°C.



X:X	$\pm 0.25$	APPD:	Trxcom	
X:XX	$\pm 0.20$	CHKD:	ShenZhen Trxcom Electronics Co., ltd	
X:XXX	$\pm 0.05$	DR: C. H. Y	TITLE: RJ45 Connector with 10/100 Base-T Integrated Magnetics	
ANGLES	$\pm 1^\circ$	UNIT: mm	PART NO.: TRJ1006ABNL	
	SCALE: 2/1	SHEET: 2/2	REV: A	DWG NO.: TRC09111326

TRXCOM

Part NO: TRJ1006ABNL

PART NAME: Lan filter in DIP connector

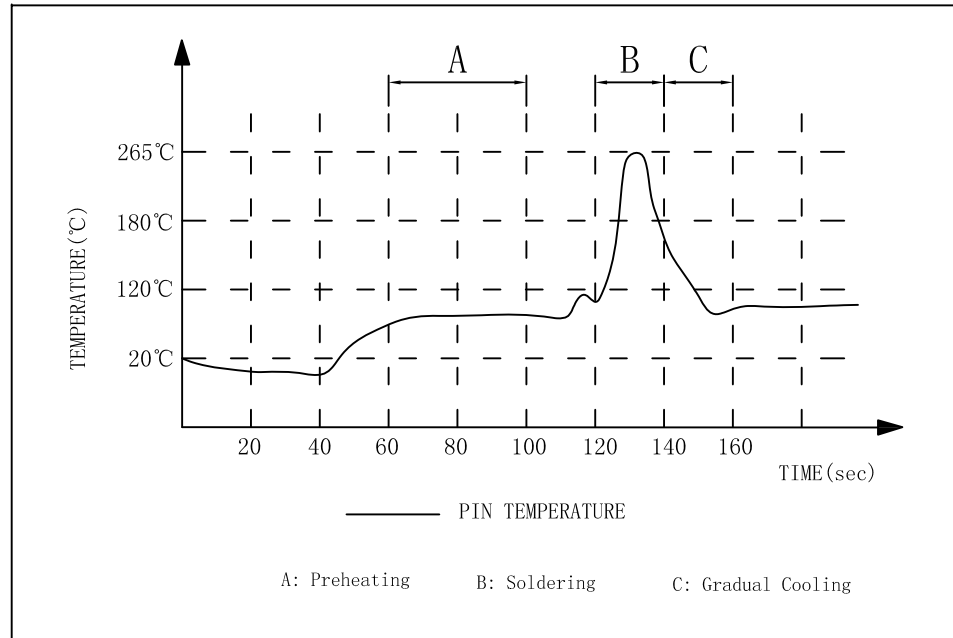


REV: A

TEMP (°C): 25

HUM (%): 65 RH

SUGGESTED PROFILE OF WAVE SOLDER FOR ROHS PRODUCT



(1) Tip Temperature: 265°C max

(2) Tip Temperature time: 5sec max

Note: The melting point of Tin: 219°C

# TRXCOM

## PACKAGING

Part number: TRJ1006ABNL

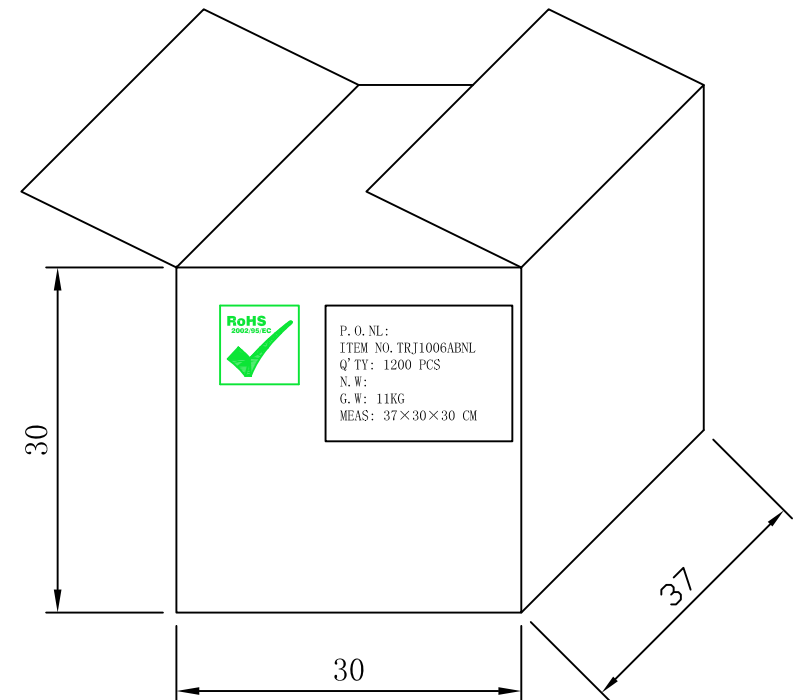
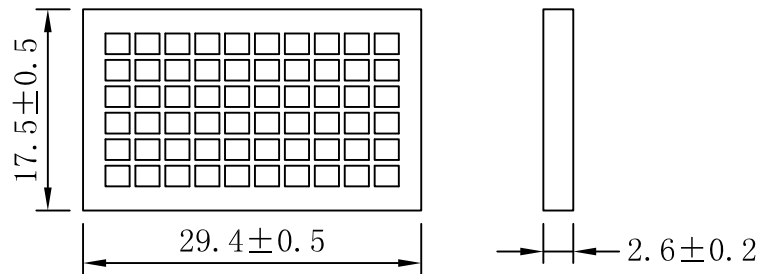
1. Packaging unit: 60PCS/tray

2. Packaging material: PVC

3. Packaging shape: [Unit=cm]

4. Outer carton

Unit: 20Trays with plastic bag / outer carton (1200PCS) (G.W.: 11Kg)



ORDER INFORMATION:  
MOQ 4800PCS IN FOUR CTNS