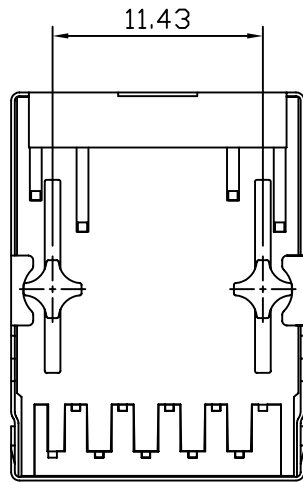
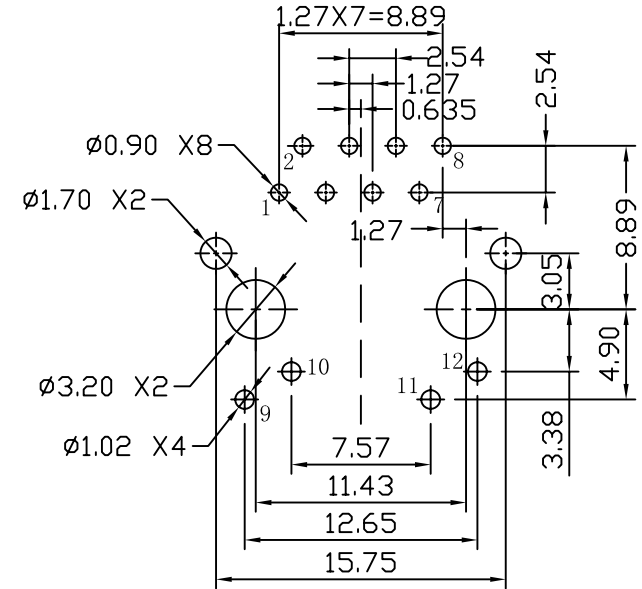
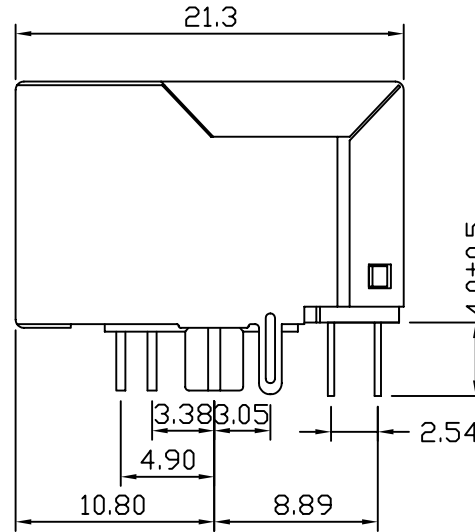
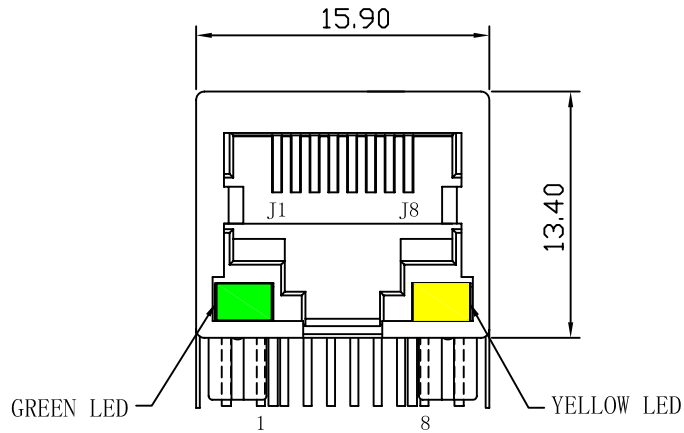


# Mechanical:

REV.	ECN NO.	DESCRIPTION	DATE	APPD
A	REL		26/11/2007	



## NOTES:

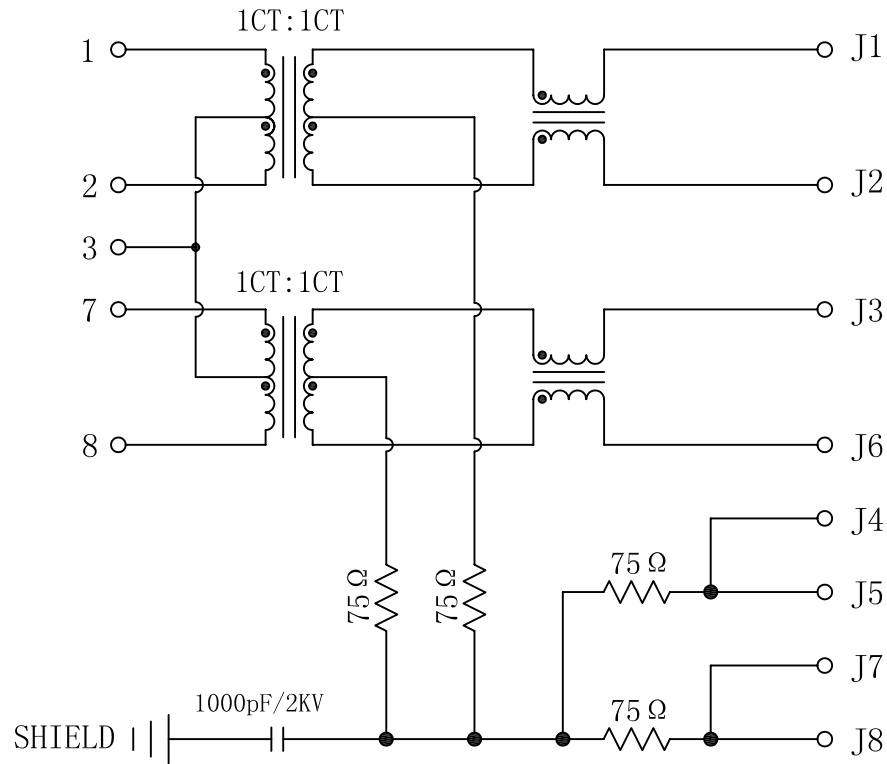
1. Designed to support application, such as SOHO (ADSL modems), LAN-on-Motherboard (LOM), hub and Switches.
2. Meets IEEE 802.3 specification
3. Connector Materials:  
 Housing: Thermoplastic UL94V-0  
 Contact/Shield: Copper alloy  
 Shield plating: Nickel  
 Contact plating: Gold 6 micro-inches min. In contact area.
4. Wave solder tip temperature: 265°C Max  
 Wave solder tip temperature time: 5 Sec Max
5. UL Certification: File Number E321120.

X:X ±0.30	APPD:	Trxcom ShenZhen Trxcom Electronics Co., ltd
X:XX ±0.20	CHKD:	
X:XXX ±0.05	DR: C. H. Y	TITLE: RJ45 Connector With 10/100 Base-T Integrated Magnetics
ANGLES ±1°	UNIT: mm	PART NO.: TRJ0013BBNL
	SCALE: 2/1	SHEET: 1/2
	REV: A	DWG NO.: TRC07112605

Schematic:

REV.	ECN NO.	DESCRIPTION	DATE	APPD
A	REL		26/11/2007	

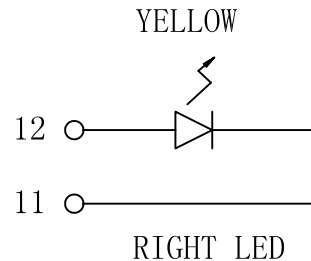
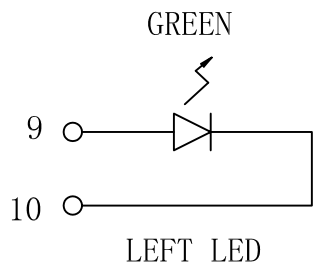
PCB SIDE TO PHY



RJ45 SIDE

ELECTRICAL SPECIFICATIONS @25°C

- Turn Ratio( $\pm 2\%$ ):  
TX=1CT:1CT      RX=1CT:1CT
- Inductance OCL: 350uH MIN  
@100KHz/0.1V, 8mA DC Bias
- Insertion Loss:  
-1.0dB MAX @1-100MHz
- Return Loss:  
-16dB MIN @1-30MHz  
-14dB MIN @30-60MHz  
-10dB MIN @60-80MHz
- Cross talk:  
-30dB MIN @1-100MHz
- Common Mode Rejection:  
-30dB MIN @1-100MHz
- Hipot Test: 1500Vrms MIN
- Operating Temperature Range: 0°C TO 70°C



X:X	$\pm 0.30$	APPD:	Trxcom ShenZhen Trxcom Electronics Co., ltd
X:XX	$\pm 0.20$	CHKD:	
X:XXX	$\pm 0.05$	DR: C. H. Y	TITLE: RJ45 Connector With 10/100 Base-T Integrated Magnetics
ANGLES	$\pm 1^\circ$	UNIT: mm	PART NO.: TRJ0013BBNL
	SCALE: 2/1	SHEET: 2/2	REV: A      DWG NO.: TRC07112605