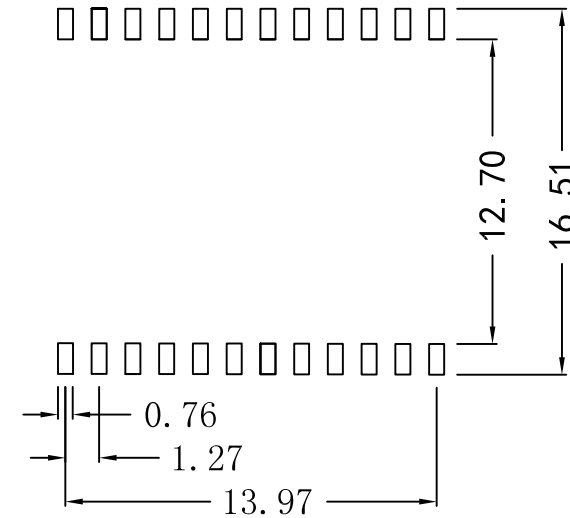
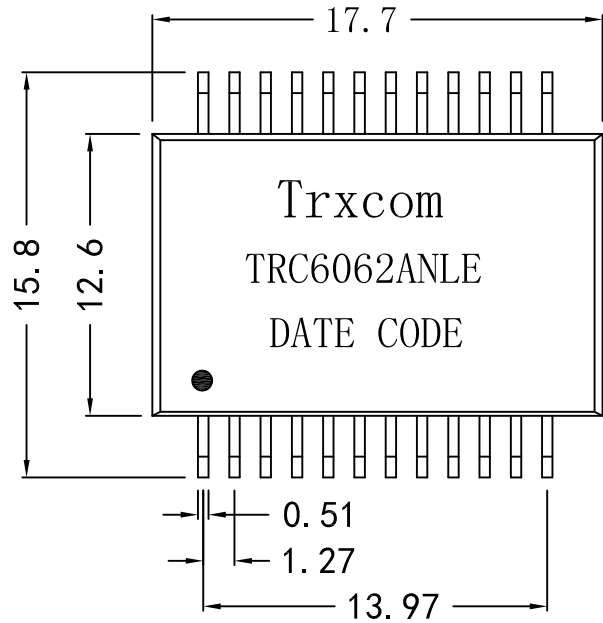
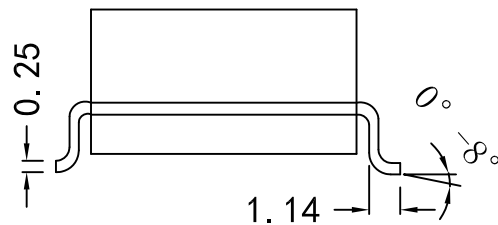
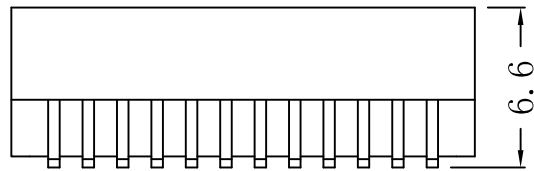


**Mechanical:**

REV.	ECN NO.	DESCRIPTION	DATE	APPD
A	REL		2011/02/17	



SUGGESTED PAD LAYOUT



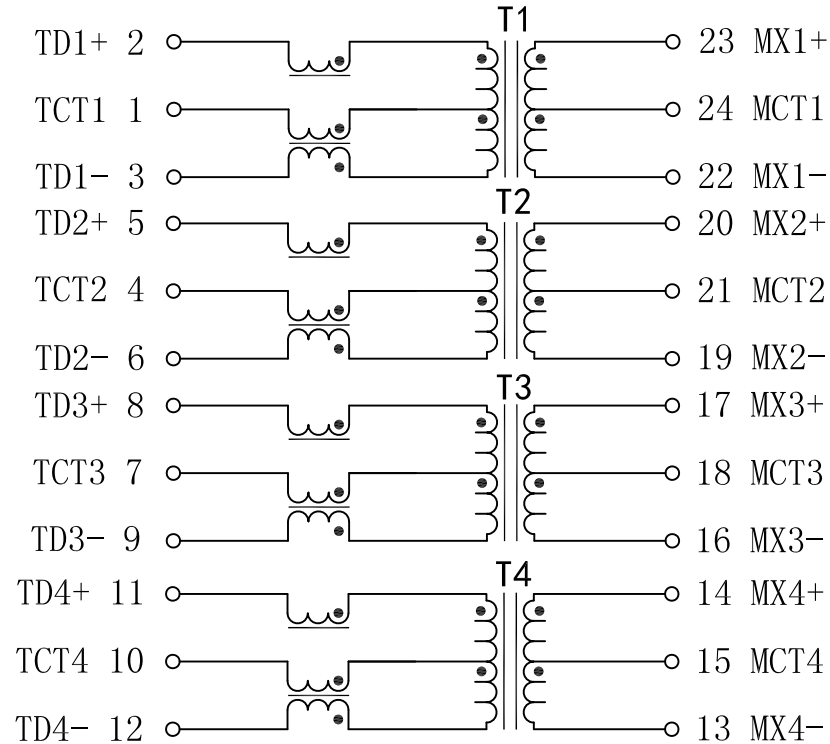
NOTES:

1. Gigabit Transformer Modules With Power Over Ethernet Option
2. Meets IEEE 802.3 specification
3. For RoHS part add suffix NL
4. RoHS "NLE" peak solder rating 235°C.
5. UL Certification: File Number E321120.



X:X	±0.25	APPD:	Trxcom
X:XX	±0.20	CHKD:	ShenZhen Trxcom Electronics Co., ltd
X:XXX	±0.05	DR: C. H. Y	TITLE: 1000Base-T Magnetic Modules For PoE Application
ANGLES	±1°	UNIT: mm	PART NO.: TRC6062ANLE
	SCALE: 2/1	SHEET: 1/2	REV: A DWG NO.: TRC11021725

# Schematic:



REV.	ECN NO.	DESCRIPTION	DATE	APPD
A	REL		2011/02/17	

## Electrical Specification @25°C

- Insertion Loss(dB Max):
  - 0.3-1MHz: -1.1      1-65MHz: -0.8
  - 65-100MHz: -1.0    100-125MHz: -1.2
- Return Loss(dB Min @100 OHM):
  - 0.5-40MHz: -18
  - 40-100MHz: -12-20LOG(f/80MHz)
- Crosstalk(dB Min):
  - 0.3-100MHz: -33-20LOG(f/100MHz)
- CM TO CM REJ:
  - 0.3-100MHz: -30dB Min
- CM TO DM REJ:
  - 0.3-100MHz: -35dB Min
- Turns Ratio:
  - PRI:SEC= 1CT:1CT ±2%
- Inductance(100KHz/0.1V@11mA):350uH Min
- Balanced DC Line Current:
  - 720mA Max @ 57VDC Continuous
  - 1.2A Max @ 57VDC For 200mS
- Hipot: 1500Vrms/0.5mA
- Operating Temperature: -40°C ~+85°C.



X:X	±0.25	APPD:	Trxcom	
X:XX	±0.20	CHKD:	ShenZhen Trxcom Electronics Co.,ltd	
X:XXX	±0.05	DR: C. H. Y	TITLE: 1000Base-T Magnetic Modules For PoE Application	
ANGLES	±1°	UNIT: mm	PART NO.: TRC6062ANLE	
	SCALE: 2/1	SHEET: 2/2	REV: A	DWG NO.: TRC11021725