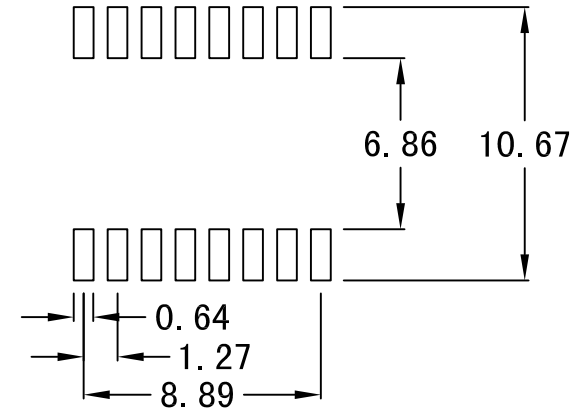
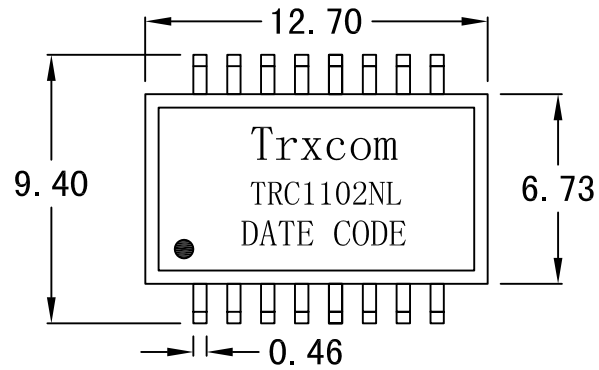
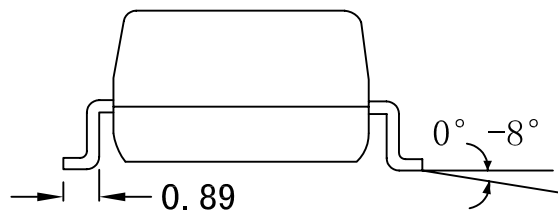
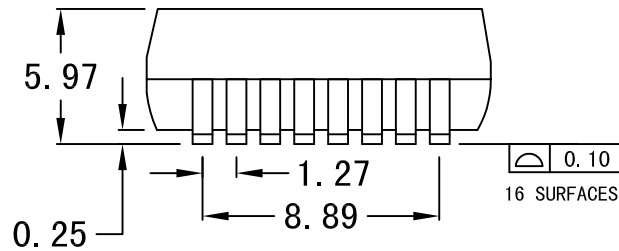


# Mechanical :

REV.	ECN NO.	DESCRIPTION	DATE	APPD
A	REL		19/12/2007	



SUGGESTED PAD LAYOUT



## NOTES:

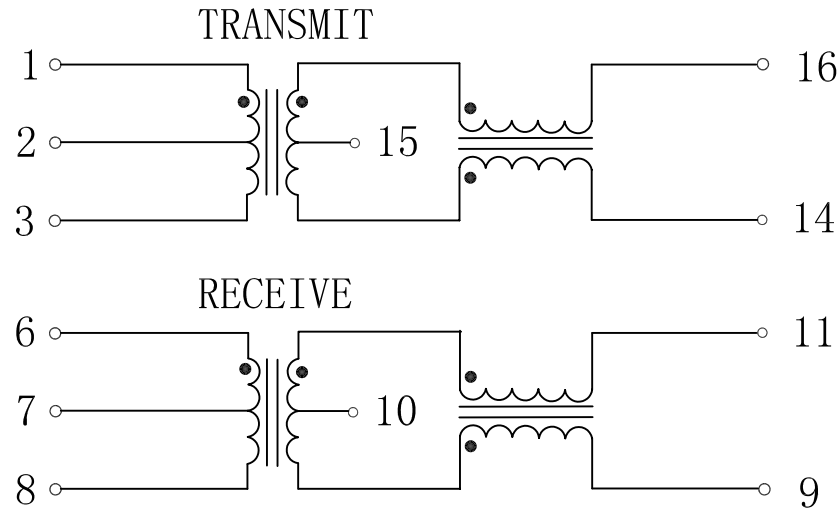
1. Designed to support application, such as SOHO (ADSL modems), LAN-on-Motherboard (LOM), hub and Switches.
2. With various Turns Ratios.
3. 350uH min OCL with 8mA bias .
4. RoHS "NL" peak solder rating 245(+0/-5) °C.
5. UL certification: file number E321120



X:X	±0.20	APPD:	Trxcom	
X:XX	±0.10	CHKD:	ShenZhen Trxcom Electronics Co., ltd	
X:XXX	±0.05	DR: C. H. Y	Title: 10/100Base-T Single Port Transformer Modules	
ANGLES	±1°	UNIT: mm	PART NO.: TRC1102NL	
	SCALE: 2/1	SHEET: 1/2	REV: A	DWG NO.: TRC07121902

# Schematic:

REV.	ECN NO.	DESCRIPTION	DATE	APPD
A	REL		19/12/2007	



## Electrical Specifications @25°C

### 1. Turns Ratio:

$$TX=1CT:1CT \quad RX=1CT:1CT$$

### 2. Insertion Loss:

$$0.1-100MHz:-1.1dB \text{ MAX}$$

### 3. Return Loss (dB TYP):

$$30MHz:-20 \quad 60MHz:-14 \\ 80MHz:-11.5$$

### 4. Crosstalk (dB TYP):

$$30MHz:-45 \quad 60MHz:-40 \\ 100MHz:-35$$

### 5. DCMR (dB TYP):

$$30MHz:-42 \quad 50MHz:-37 \\ 100MHz:-33$$

### 6. Hipot:1500Vrms MIN

### 7. Operating Temperature:0~70°C



X:X	±0.20	APPD:	Trxcom	
X:XX	±0.10	CHKD:	ShenZhen Trxcom Electronics Co.,ltd	
X:XXX	±0.05	DR: C. H. Y	Title: 10/100Base-T Single Port Transformer Modules	
ANGLES	±1°	UNIT: mm	PART NO.:	TRC1102NL
	SCALE: 2/1	SHEET: 2/2	REV: A	DWG NO.: TRC07121902