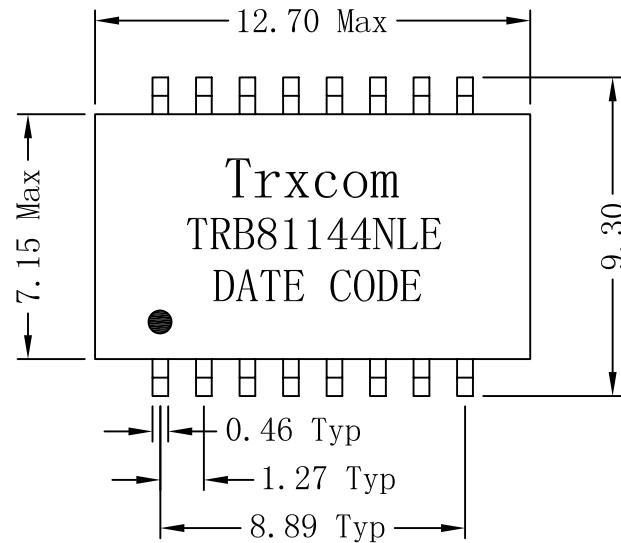
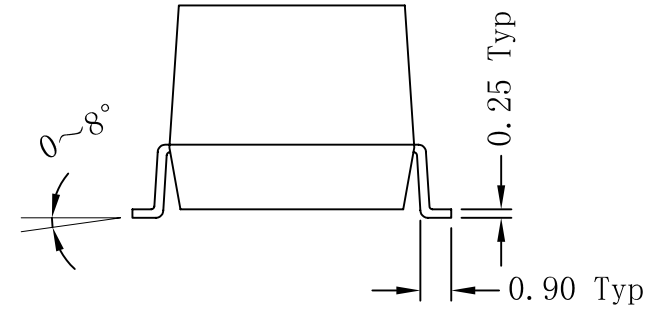
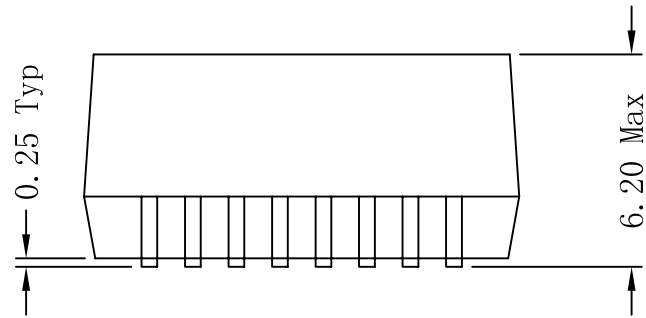


Mechanical :

REV.	ECN NO.	DESCRIPTION	DATE	APPD
A	REL		19/01/2010	



Dimensions: mm

Unless otherwise specified, all tolerances are ± 0.25



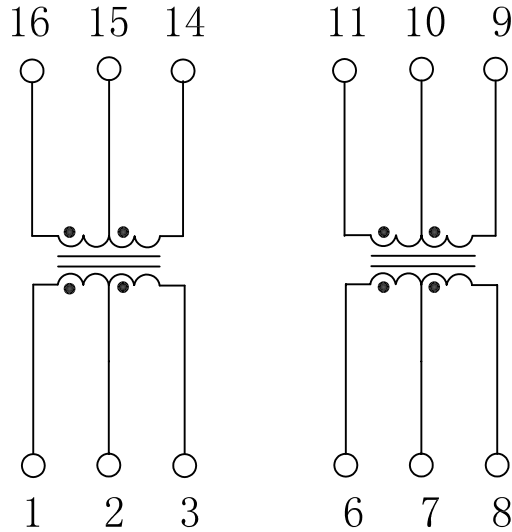
NOTES:

1. T1/CEPT/ISDN-PRI Dual SMT Transformers
2. With various turns ratios.
3. The part is RoHS compliant.
4. RoHS "NLE" peak solder rating 235°C.
5. UL certification: file number E321120

X:X	APPD:	Trxcom		
X:XX	CHKD:	ShenZhen Trxcom Electronics Co.,ltd		
X:XXX	DR: C.H.Y	TITLE: T1/CEPT/ISDN-PRI Transformer		
ANGLES $\pm 1^\circ$	UNIT: mm	PART NO.: TRB81144NLE		
	SCALE: 2/1	SHEET: 1/2	REV: A	DWG NO.: TRC10011908

Schematic:

REV.	ECN NO.	DESCRIPTION	DATE	APPD
A	REL		19/01/2010	



Electrical Specifications @25°C

- Turns Ratio: (Pri : Sec $\pm 5\%$)
1CT : 1CT & 1CT : 2.4CT
- Primary Pins:
9-11, 1-3
- OCL:
1.00mH & 1.00mH Min
- Cw/w:
30pF & 30pF Max
- LL:
0.80uH & 0.80uH Max
- DCR Pri:
0.85Ω & 0.85Ω Max
- Operating Temperature: -40°C ~ +85°C.



X:X	APPD:	Trxcom		
X:XX	CHKD:	ShenZhen Trxcom Electronics Co.,ltd		
X:XXX	DR: C.H.Y	TITLE: T1/CEPT/ISDN-PRI Transformer		
ANGLES $\pm 1^\circ$	UNIT: mm	PART NO.: TRB81144NLE		
	SCALE: 2/1	SHEET: 2/2	REV: A	DWG NO.: TRC10011908