

VI TELEFILTER**Filter specification****TFS 150X****1 / 5****1. Measurement condition :**

Ambient temperature T_A : 23 °C
 Input power level: 0 dBm.
 Terminating impedances at f_C *): for input: 110 Ω | - 41,4 pF. (typical)
 for output: 251 Ω | - 16,5 pF. (typical)

2. Characteristics :

Remark:

Reference level for the relative attenuation a_{rel} of the **TFS 150X** is the minimum of the pass band attenuation a_{min} . The minimum of the pass band attenuation a_{min} is defined as the insertion loss a_e . The reference frequency f_C is the arithmetic mean value of the upper and lower frequencies at the **22,5 dB** filter attenuation level relative to the insertion loss a_e . The temperature coefficient of frequency T_{CF} is valid both for the reference frequency f_C and the frequency response of the filter in the operating temperature range. The frequency shift of the filter in the operating temperature range is not included in the production tolerance scheme.

D a t a		typ. value	tolerance / limit
Insertion loss (Reference level)	a_e	34 dB	max. 35 dB
Centre frequency at ambient temperature T_A : f_C		150,137 MHz	$150,137 \pm 0,1$ MHz
Pass band at ambient temperature T_A	PB		$f_C \dots f_C \pm 12,30$ MHz
Amplitude ripple in PB (p-p):		0,7 dB	max. 1 dB
Bandwidth at ambient temperature:			
1 dB		25,07 MHz	min. 24,6 MHz
1,5 dB		25,12 MHz	min. 25 MHz
2 dB		25,16 MHz	
3 dB		25,23 MHz	
10 dB		25,52 MHz	
22,5 dB		25,76 MHz	max. 25,8 MHz
Relative attenuation			
	a_{rel}		
f_C ... $f_C \pm 12,3$ MHz		-	max. 1 dB
$f_C \pm 12,3$ MHz ... $f_C \pm 12,5$ MHz		-	max. 1,5 dB
$f_C \pm 12,9$ MHz ... $f_C \pm 13,5$ MHz		25 dB	min. 22,5 dB
$f_C \pm 13,5$ MHz ... $f_C \pm 25$ MHz		35...45 dB	min. 30 dB
$f_C \pm 25$ MHz ... $f_C \pm 35$ MHz		45 dB	min. 22,5 dB
$f_C \pm 35$ MHz ... $f_C \pm 50$ MHz		55 dB	min. 7,5 dB
$f_C \pm 50$ MHz ... $f_C \pm 100$ MHz		60 dB	
Group delay (mean value in PB):		2,36 μ s	max. 3 μ s
Group delay ripple in PB (p-p):		50 ns	max. 100 ns
Deviation from linear phase in PB :		9° p-p...(1,5 ° r.m.s.)	
Triple transit attenuation compared to main signal		60 dB	
Crosstalk		50 dB	
Temperature coefficient of frequency	T_{CF}	-19 ppm/K	
Frequency deviation of f_C over temperature		$\Delta f_C(\text{Hz}) = T_{CF}(\text{ppm/K}) \times (T - T_A) \times f_{CTA}(\text{MHz})$	
Operating temperature			+ 70 °C
Storage temperature range			- 40 °C ... + 85 °C
Input power level			max. +10 dBm
Permissible DC voltage	V_{DC}		max. 12 V
Permissible DC voltage	V_{PP}		max. 10 V

*) The terminating impedances depends on parasitics and q-values of matching elements and the board used, and are to be understood as reference values only. Should there be additional questions do not hesitate to ask for an application note or contact our design team.

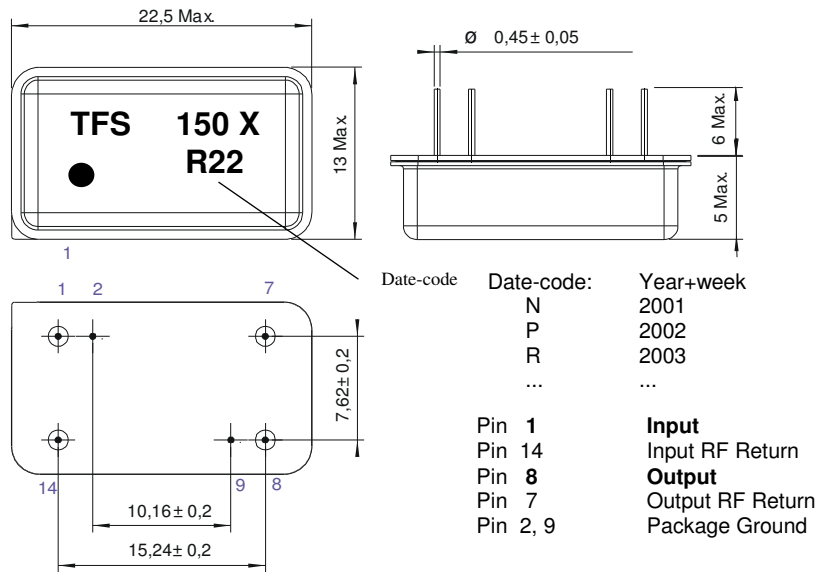
generated: Dunzow W.

checked / approved: Dr. Wall

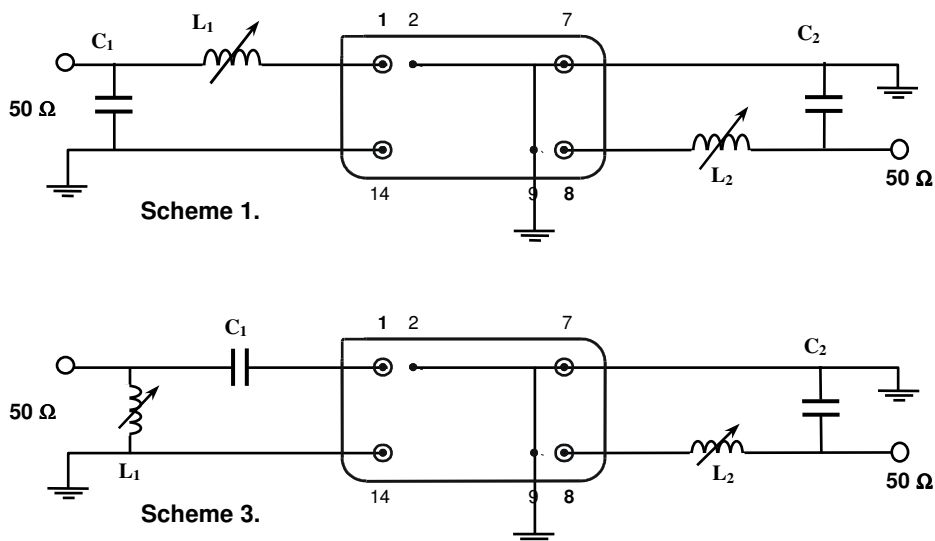
TELEFILTER GmbH
Potsdamer Straße 18
D 14 513 TELTOW / Germany
Tel: (+49) 3328 4784-0 / Fax: (+49) 3328 4784-30
e-mail: tft@telefilter.com

VI TELEFILTER reserves the right to make changes to the product(s) and/or information contained herein without notice. No liability is assumed as a result of their use or application. No rights under any patent accompany the sale of any such product(s) or information.

3. Construction and pin connection (All dimensions in mm)



4. 50 Ω matching network (for details about other schemes refer to application note):



For final test we use scheme 3.

TELEFILTER GmbH
 Potsdamer Straße 18
 D 14 513 TELTOW / Germany
 Tel: (+49) 3328 4784-0 / Fax: (+49) 3328 4784-30
 e-mail: tft@telefilter.com

VI TELEFILTER reserves the right to make changes to the product(s) and/or information contained herein without notice. No liability is assumed as a result of their use or application. No rights under any patent accompany the sale of any such product(s) or information.

5. Stability characteristics :

After the following tests the filter shall meet the whole specification:

1. Shock: 500g, 18 ms, half sine wave, 3 shocks each plane;
DIN IEC 68 T2 - 27
2. Vibration: 10 Hz to 500 Hz, 0,35 mm or 5g respectively, 1 octave per min, 10 cycles per plan, 3 plans;
DIN IEC 68 T2 - 6
3. Change of temperature: -55 °C to 125 °C / 30 min. each / 10 cycles
DIN IEC 68 part 2 – 14 Test N
4. Resistance to solder heat (reflow): reflow possible: twice max.;
for temperature conditions refer to the attached "Air reflow temperature conditions" on page 4;

6. Air reflow temperature conditions :

1st and 2nd air reflow profile

Name:	pre-heating periods	main-heating periods	peak temperature
Temperature:	150 °C - 170 °C	over 200 °C	255 °C ± 5 °C
Time:	60 sec. - 90 sec.	20 sec. - 25 sec.	

Air reflow profile

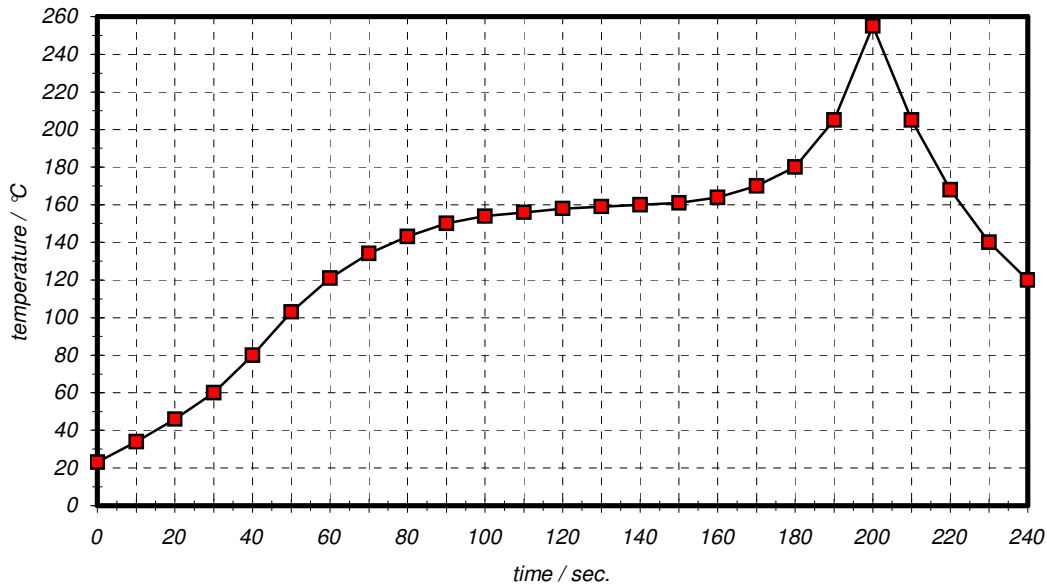


Table for temperature vs. time during the air reflow process

Tolerance of temperatures: ± 5 °C

time / sec.	temperature / °C	time / sec.	temperature / °C
0	23	140	160
10	34	150	161
20	46	160	164
30	60	170	170
40	80	180	180
50	103	190	205
60	121	195	230
70	134	200	255
80	143	205	230
90	150	210	205
100	154	215	180
110	156	220	165
120	158	230	140
130	159	240	120

7. History :

Version	Reason of changes	Name	Date
1.0...2.0	- generate filter specifications.	Dunzow W.
2.1	- change and correct package drawing. - add "Stability characteristics". - add "History".	Dunzow W.	24.01.2003
2.2	- add matching networks : scheme 1.	Dunzow W.	27.02.2003