

1. Measurement condition :

Ambient temperature T_A : 23 °C
 Input power level: 0 dBm.
 Terminating impedances at f_C *) :
 for input: $65 \Omega \parallel -17 \text{ pF}$.
 for output: $65 \Omega \parallel -17 \text{ pF}$.

2. Characteristics :

Remark: Reference level for the relative attenuation a_{rel} of the **TFS 140H** is the minimum of the pass band attenuation a_{min} . The minimum of the pass band attenuation a_{min} is defined as the insertion loss a_e . The reference frequency f_C is the arithmetic mean value of the upper and lower frequencies at the **3 dB** filter attenuation level relative to the insertion loss a_e . The temperature coefficient of frequency Tc_f is valid both for the reference frequency f_N and the frequency response of the filter in the operating temperature range. The frequency shift of the filter in the operating temperature range is not included in the production tolerance scheme

Data		typ. value	tolerance / limit
Insertion loss (Reference level)	a_e	22,7 dB	max. 25 dB
Reference frequency at ambient temperature T_A :	f_N		140,0 MHz
Centre frequency at ambient temperature T_A (f_{CAT})	f_C	140,0 MHz	
Pass band at ambient temperature :	PB		$f_N - 4,2 \text{ MHz} \dots f_N + 4,2 \text{ MHz}$
Amplitude ripple (p-p): $f_N \dots f_N \pm 3,85 \text{ MHz}$		0,4 dB	max. 1 dB
Bandwidth at ambient temperature :			
1 dB		8,26 MHz	min. 7,7 MHz
3 dB		8,67 MHz	min. 8,4 MHz
20 dB		9,72 MHz	-
40 dB		10,22 MHz	max. 10,6 MHz
Relative attenuation at ambient temperature	a_{rel}		
$f_N \dots f_N \pm 3,85 \text{ MHz}$		0,4 dB	max. 1 dB
$f_N \pm 3,85 \text{ MHz} \dots f_N \pm 4,2 \text{ MHz}$		2 dB	max. 3 dB
$f_N \pm 5,3 \text{ MHz} \dots f_N \pm 39 \text{ MHz}$		50 dB	min. 40 dB
$f_N - 39 \text{ MHz} \dots f_N - 41 \text{ MHz}$		55 dB	min. 50 dB
$f_N + 39 \text{ MHz} \dots f_N + 41 \text{ MHz}$		62...65 dB	min. 60 dB
Group delay (mean value in pass band):		2,03 μs	
Group delay ripple in pass band (p-p):		60 ns	max. 100 ns
Deviation from linear phase in pass band (p-p):		$\pm 1,8$ degree	-
S11 in PB :		3 dB	-
S22 in PB :		3 dB	-
Triple transit attenuation compared to main signal		47 dB	-
Crosstalk		60...65 dB	-
Temperature coefficient of frequency (Tc_f)		- 20 ppm/K	-
Frequency deviation of f_C over temperature :		$\Delta f_C(\text{Hz}) = Tc_f(\text{ppm/K}) \times (T - T_o) \times f_{CAT}(\text{MHz})$	-
Operating temperature range		-	- 40 °C ... + 85 °C
Storage temperature range		-	- 40 °C ... + 85 °C

*) The terminating impedances and insertion loss depend on parasitics and q-values of matching elements and the board used, and are to be understood as reference values only. Should there be additional questions do not hesitate to ask for an application note or contact our design team.

Generated: _____

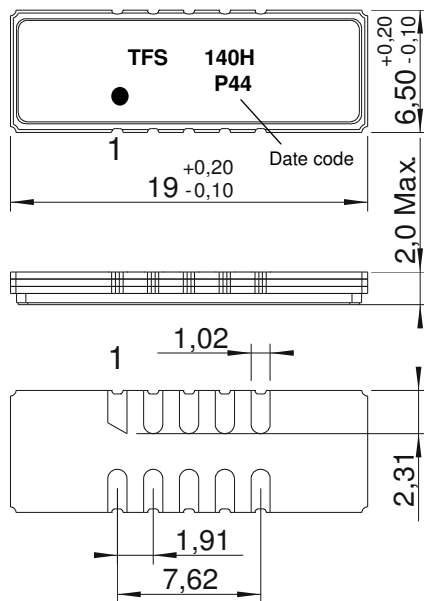
Checked / approved: _____

Vectron International GmbH
Potsdamer Straße 18
D 14 513 TELTOW / Germany
Tel: (+49) 3328 4784-0 / Fax: (+49) 3328 4784-30
E-Mail: tft@vectron.com

Vectron International GmbH reserves the right to make changes to the product(s) and/or information contained herein without notice. No liability is assumed as a result of their use or application. No rights under any patent accompany the sale of any such product(s) or information.

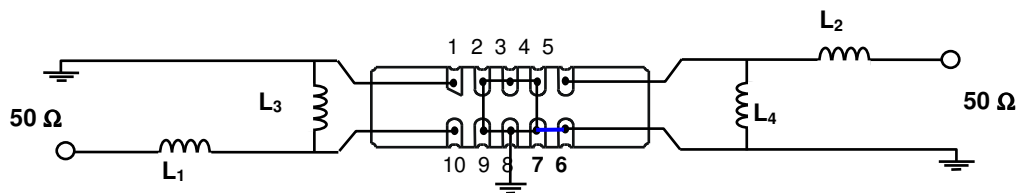
3. Construction and pin connection :

(all dimensions in mm)

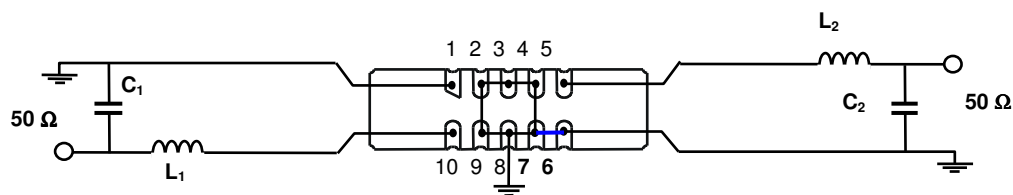


Date code: Year+week
 M 2001
 N 2001
 P 2002

Pin 10 **Input**
 Pin 1 Input RF Return
 Pin 5 **Output**
 Pin 6 Output RF Return
 Pin 2 - 4, 7 - 9 Package Ground

4. 50 Ω matching network (for details refer to application note):

Scheme 1.



Scheme 2.

For final test we use scheme 2.

Vectron International GmbH
 Potsdamer Straße 18
 D 14 513 TELTOW / Germany
 Tel: (+49) 3328 4784-0 / Fax: (+49) 3328 4784-30
 E-Mail: tft@vectron.com

Vectron International GmbH reserves the right to make changes to the product(s) and/or information contained herein without notice. No liability is assumed as a result of their use or application. No rights under any patent accompany the sale of any such product(s) or information.

5. Stability characteristics :

After the following tests the filter shall meet the whole specification:

1. Shock: 500g, 18 ms, half sine wave, 3 shocks each plane;
DIN IEC 68 T2 - 27
2. Vibration: 10 Hz to 500 Hz, 0,35 mm or 5g respectively, 1 octave per min, 10 cycles per plan, 3 plans;
DIN IEC 68 T2 - 6
3. Change of temperature: -55 °C to 125°C / 30 min. each / 10 cycles
DIN IEC 68 part 2 – 14 Test N
4. Resistance to solder heat (reflow): reflow possible: twice max.;
for temperature conditions refer to the attached "Air reflow temperature conditions" on page 4;

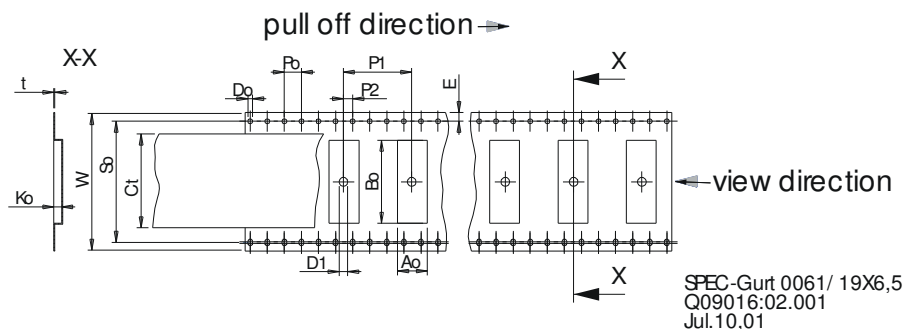
6. Packing :

Tape & Reel: DIN IEC 286 - 3, with exception of value for N and minimum bending radius;
tape type II, embossed carrier tape with top cover tape on the upper side;

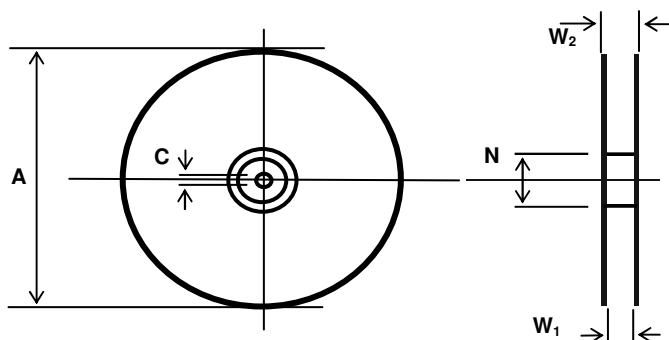
max. pieces of filters per reel: 2000
reel of empty components at start: min 300 mm
reel of empty components at start including leader: min 500 mm
Trailer: min 300 mm

Tape (all dimensions in mm)

W	:	32	± 0,3
Po	:	4	± 0,1
Do	:	1,5	+ 0,1
E	:	1,75	± 0,1
So	:	28,4	± 0,1
F	:	14,2	± 0,1
G (min)	:	0,6	
P2	:	2	± 0,1
P1	:	12	± 0,1
D1(min)	:	2,0	
Ao	:	7,1	± 0,1
Bo	:	19,6	± 0,1
Ko	:	2,0	± 0,1
t	:	0,35	± 0,35
Ct	:	25,5	± 0,1

**Reel (all dimensions in mm):**

A	:	330
W1	:	32,4 + 2
W2(max)	:	38,4
N(min)	:	100
C	:	13 ± 0,5 / - 0,2



The minimum bending radius is 45 mm. The mounting surface of the filters faces the bottom side of the embossed carrier tape. The marking of the filters is able to read if the view is directed on the upper side of the carrier tape in the above shown direction.

Vectron International GmbH

Potsdamer Straße 18

D 14 513 TELTOW / Germany

Tel: (+49) 3328 4784-0 / Fax: (+49) 3328 4784-30

E-Mail: tft@vectron.com

Vectron International GmbH reserves the right to make changes to the product(s) and/or information contained herein without notice. No liability is assumed as a result of their use or application. No rights under any patent accompany the sale of any such product(s) or information.

7. Air reflow temperature conditions :

1st and 2nd air reflow profile

Name:	pre-heating periods	main-heating periods	peak temperature
Temperature:	150 °C - 170 °C	over 200 °C	255 °C ± 5 °C
Time:	60 sec. - 90 sec.	20 sec. - 25 sec.	

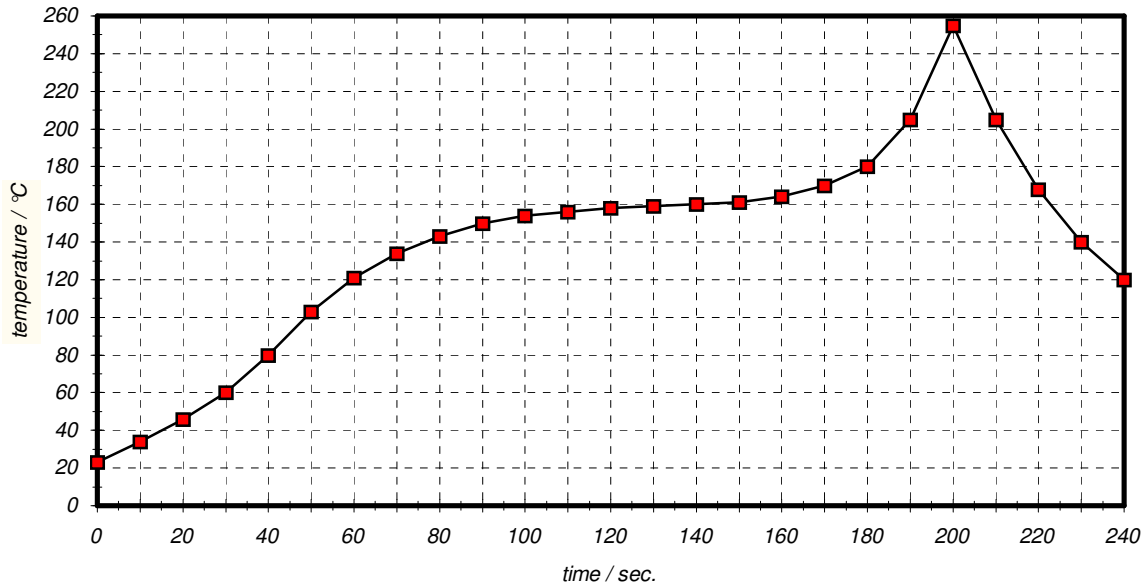
Chip-mount air reflow profile

Table for temperature vs. time during the air reflow process

Tolerance of temperatures: ± 5 °C

time / sec.	temperature / °C	time / sec.	temperature / °C
0	23	140	160
10	34	150	161
20	46	160	164
30	60	170	170
40	80	180	180
50	103	190	205
60	121	195	230
70	134	200	255
80	143	205	230
90	150	210	205
100	154	215	180
110	156	220	165
120	158	230	140
130	159	240	120

8. History :

Version	Reason of changes	Name	Date
1.0	Generate development specification according to customer requirements.	Dunzow W.	15.01.2002
1.1	Generate filter specification.	Dunzow W.	15.10.2002
1.2	change typical values after 4 th iteration.	Dunzow W.	19.11.2002
2.0	Changed attenuation $f_N - 39\text{MHz} \dots f_N - 41\text{MHz}$. from -60 to -50	TCUK	21.12.2011