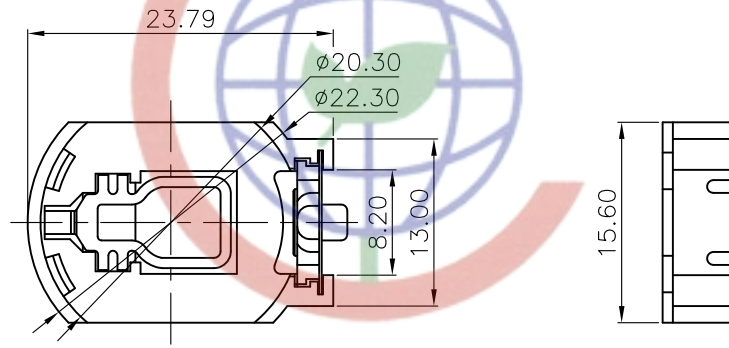


REV.	DESCRIPTION	DRAWN	CHECKED	APPROVED
A	NEW RELEASE	YCH 08/07/12'	~	



**NOTE:**

**1. Materials:**

1.1 Base: Thermoplastic, UL94 V-0, Color of black.  
Temp. Range: -40°C to +105°C.

1.2 Positive & Negative Contacts: Copper Alloy.

**2. Specification:**

2.1 Dielectric Withstanding Voltage: AC 500V AC.

2.2 Insulation Resistance: 1000MΩ min.

2.3 Contact Resistance: 100mΩ Max.

**3. Part Number Code:**

DS1092-11 - X X X

Housing material:

S: PPS

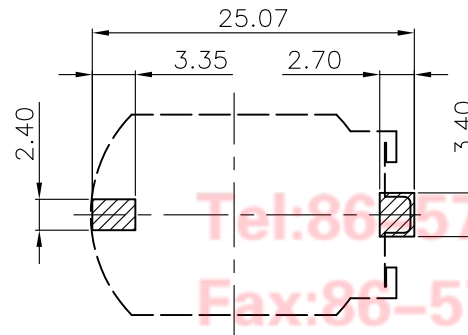
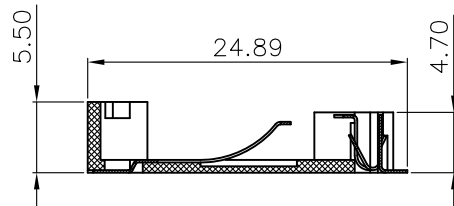
Contact plating:

8: Gold Flash

Housing color:

N: Brown

**CONNFLY**



Recommend PCB Layout  
Tolerance=±0.05

Tel: 86-574-63508787

Fax: 86-574-63510817

Email: sale@zhenqin.com.cn

Http://www.connfly.com

GENERAL TOLERANCE		ANGLE TOLERANCE		PROJECTION	TITLE	2032 Lithium Coin Cell Battery Holders Horizontal insert SMT type	
X.	±0.60	X.	±5°	mm			
.X	±0.38	.X	±3°				
.XX	±0.25	.XX	±2°				
DRAWING TYPE		CUSTOMER		SHEET SIZE	A4	SERIES	DS1092-11 Series
SCALE		1:1	SHEET	10F1			
DRAWING NO.		C-DS1092-11-XXX-A					

**CONNFLY** 晨翔电子有限公司  
**CONNFLY ELECTRONIC CO. LTD**