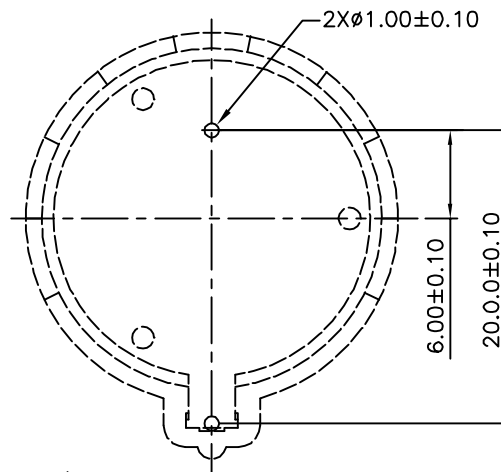
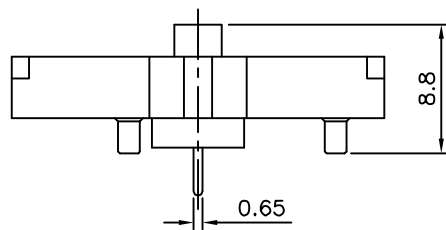
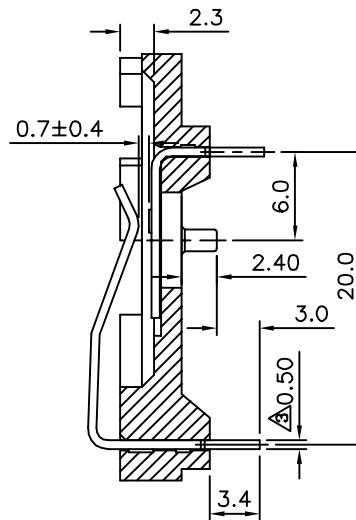
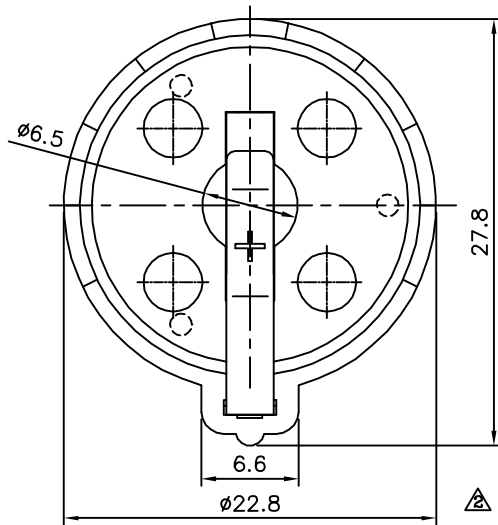


△△ SPECIFICATION

Housing: PBT+30%G.F.(UL94V-0), Black
 Contact: Phosphor Bronze, Tin Plated Over Nickel
 Battery Dim.: D=19.8, T=3.2
 RoHS Compliant

△ BH 19 D K - H
 (1) (2) (3) (4) (5)

- (1) BH: Battery Holder
- (2) 19: For CR2032
- (3) D: DIP Straight
- (4) K: Insulator Color Black
- (5) H: RoHS Compliant



△ Recommend P.C.B. Layout
 Component Side



A MEMBER OF AUK GROUP

太聯事業股份有限公司
AUK CONTRACTORS CO., LTD.

CATEGORY		APPROVED BY	
		EMILY	
PART No.		CHECKED BY	
BH19DK-H		HZF	
DRAWING No.		DRAWING BY	
BH19DK-H		GAO	
SCALE	NONE	REV.	A3

UNLESS OTHERWISE SPECIFIED TOLERANCES ARE
 .X ±0.25
 .XX ±0.20
 .XXX ±0.10
 ANG. ±2°

△ A3	Modify Data	HZF	04/19/2012
△ A2	Modify Data	HZF	12/02/2009
△ A1	Add Dim.	INGRID	02/01/2008
△ A0	NEW RELEASE		
NO. REV.	REVISIONS	CHK	DATE