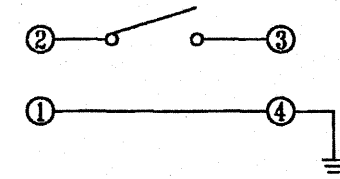
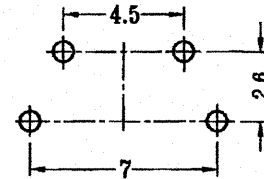
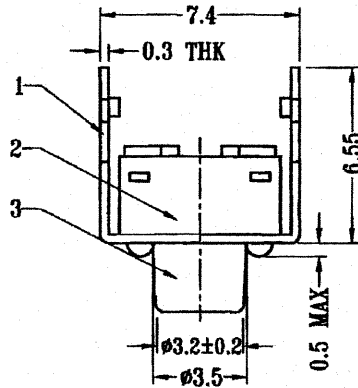


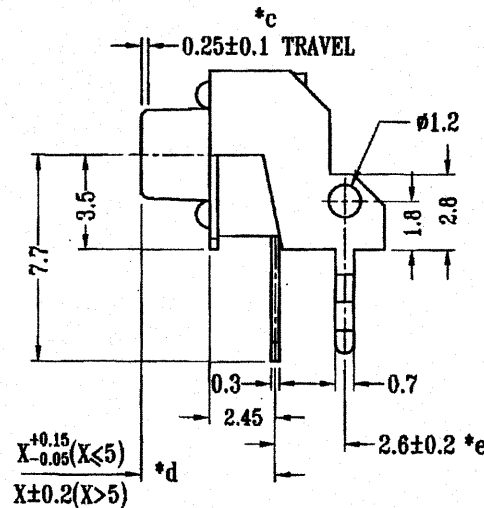
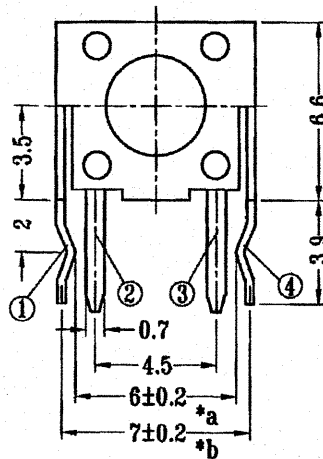
RoHS STANDARD

Drawing For Reference Only



P.C.B LAYOUT

SCHEMATIC



TS-A249	TC0111 KNOB	15.85
TS-0249	TC0110 KNOB	12.55
TS-0248	TC0101 KNOB	3.05
TS-A247	TCA107 KNOB	7.85
TS-0247	TC0107 KNOB	7.35
TS-0246	TC0105 KNOB	6.15
TS-A245	TCA109 KNOB	11.85
TS-0245	TC0109 KNOB	11.35
TS-0244	TC0106 KNOB	6.85
TS-0243	TC0108 KNOB	8.35
TS-0242	TC0104 KNOB	5.85
TS-0241	TC0103 KNOB	3.85
TS-0240	TC0102 KNOB	3.15
MODEL No.	KNOB TYPE	X

Technical requirement :

- This product should meet EU RoHS related requirement.
- The surface of plastic part should be without any crackle such as burr, lack, and so on phenomenon.
- The surface of metal part should be without any defect such as scaur, nick, oxidation and plating problem.
- The electronic performance should be the same as spec.
- The un-specified tolerance is : 0~1.5±0.1
1.5~20±0.2

4	Contact	PBS C5210R-EH	1	Ag CLAD
3	Knob	POM/Nylon+F.G	1	AS PER IPO
2	Case	Nylon+F.G	1	Black/Ag Plated Over Ni Plated
1	Cover	Zinc Plate	1	Sn Plated
No.	Parts	Materials	QTY	Finish

DCI DRAGON CITY INDUSTRIES LIMITED

PART NAME	TACT SWITCH	TOLERANCE : ±
PART NO.	TS-0240 ~ 0249 $\triangle C5$	UNIT: MM

DESIGN	K.W LAW	REMARK		SCALE	
DRAWING	W.K YEUNG	REMARK		MATERIAL	
CHECK	K.L WONG	REMARK		DWG. NO.	71206-1815
APPROVAL	K.W CHAN	REMARK		SHEET	