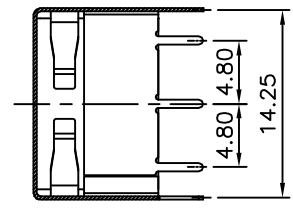
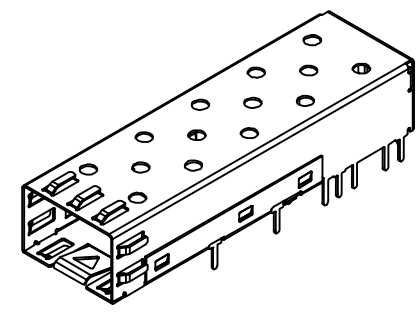
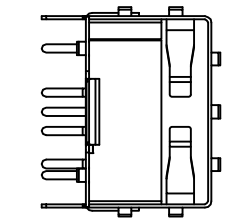
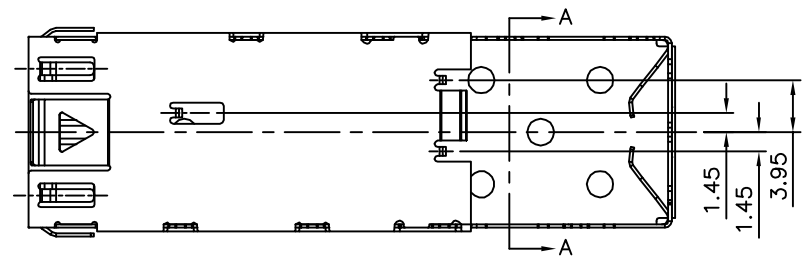
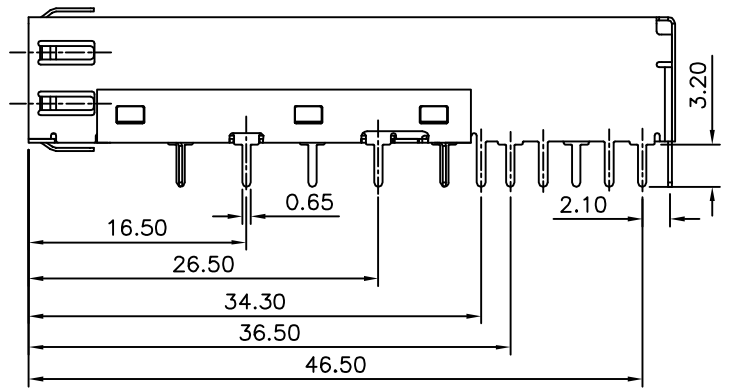
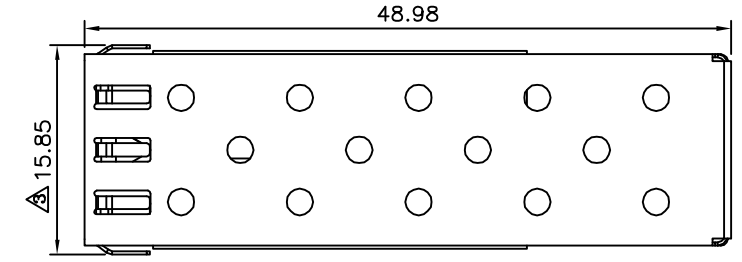
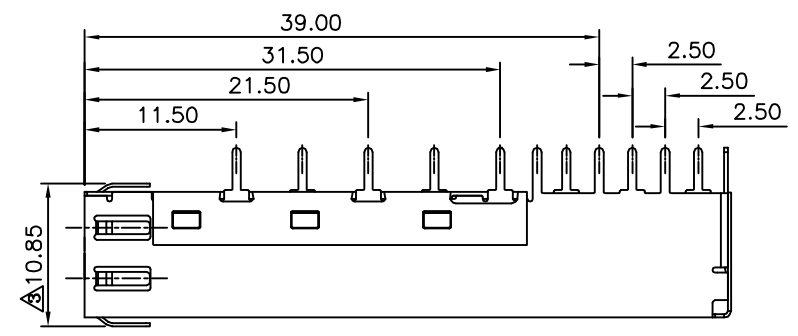


SPECIFICATION
 Shell: Copper Alloy
 Chemical Bright Nickel Plated
 RoHS Compliant

- △ SFP - C A 1 48 D - H
 (1) (2) (3) (4) (5) (6) (7)
 (1) SFP:SFP Connector
 (2) C:Cage Type
 (3) A:Single Row
 (4) 1:1X04 Port
 (5) 48:Length 48.8mm
 (6) D:DIP
 (7) H:RoHS Compliant



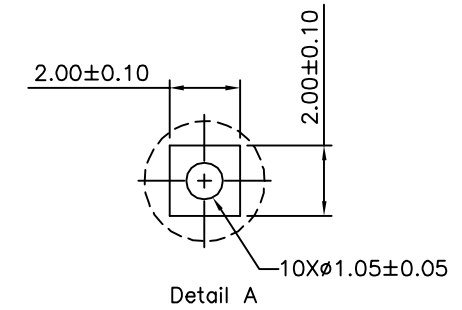
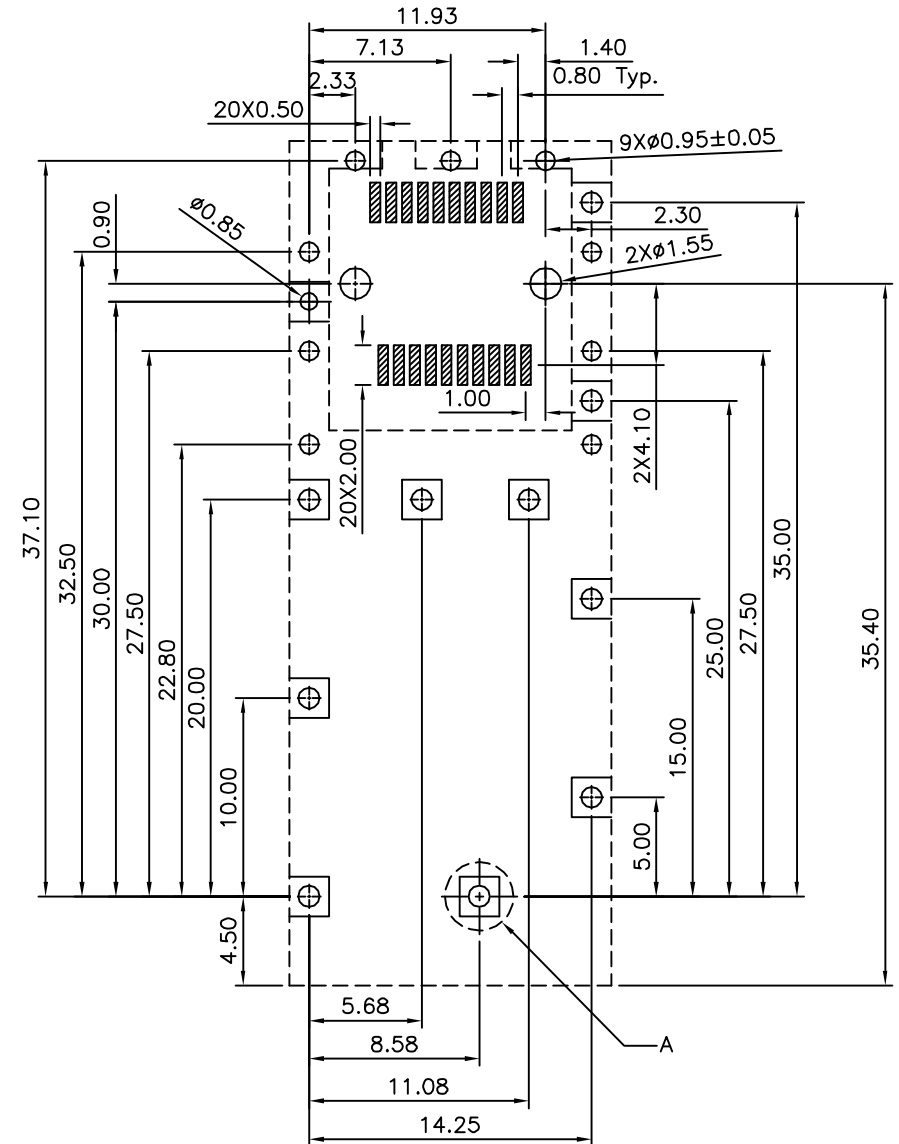
Section A-A



A MEMBER OF AUK GROUP
太聯事業股份有限公司
AUK CONTRACTORS CO., LTD.

CATEGORY		APPROVED BY		UNLESS OTHERWISE SPECIFIED TOLERANCES ARE .X ±0.30 .XX ±0.20 .XXX ±0.10 ANG. ±3°
PART No. SFP-CA148D-H		EMILY		
DRAWING No. SFP-CA148D-H		CHECKED BY HZF		
SCALE NONE		DRAWING BY YBL		
REV.	A3	UNIT mm	NO. REV.	

△ A3	Modify Data	HZF	11/13/2013
△ A2	Add Shell Finish	HZF	12/14/2010
△ A1	Add PCB Layout	HZF	05/06/2009
△ A0	NEW RELEASE	HZF	10/21/2008
NO. REV.	REVISIONS	CHK	DATE



△ Recommended P.C.B. Layout(Top Side)
(PCB Board Tolerance±0.05)

AUK A MEMBER OF AUK GROUP
太聯事業股份有限公司
AUK CONTRACTORS CO., LTD.

CATEGORY		APPROVED BY EMILY		UNLESS OTHERWISE SPECIFIED TOLERANCES ARE .X ±0.10 .XX ±0.05 △ .XXX ±0.01 ANG. ±3°
PART No. SFP-CA148D-H		CHECKED BY HZF		
DRAWING No. SFP-CA148D-H		DRAWING BY YBL		
SCALE	NONE	REV.	A3	
UNIT mm				NO. REV.

△ A3	Modify Data	HZF	11/13/2013
△ A2	Add Shell Finish	HZF	12/14/2010
△ A1	Add PCB Layout	HZF	05/06/2009
△ A0	NEW RELEASE	HZF	10/30/2008
NO. REV.	REVISIONS	CHK	DATE