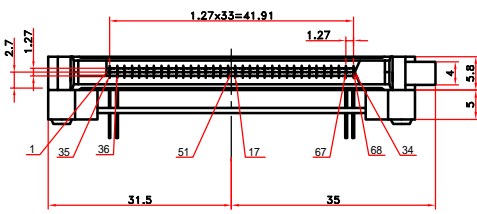
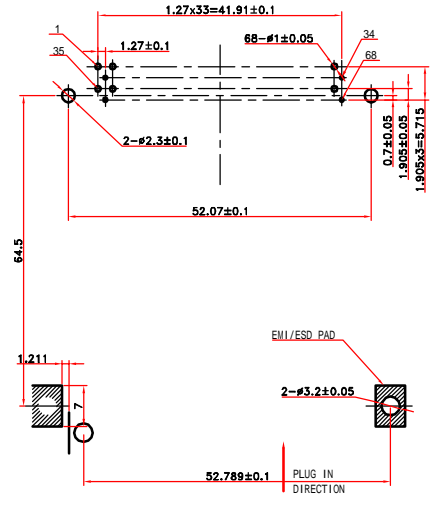


RECOMMENDED PCB LAYOUT



- NOTES:
- NAT'L HEADER
PLASTICS:HIGH TEMPERATE PLASTIC UL94V-0
PIN:COPPER ALLOY
EJECT MECHANISM
GUIDE/BUTTON:HIGH THERMO PLASTIC UL940
PLATE:STEEL
SIDE CONTACT:PHOS.BRONZE
RING STAND:BRASS
 - DINESSION"X"
X=5.00mm:PIN No.1.17.34.35.51.68
X=3.50mm:PIN No.36.67
X=4.25mm:OTHERS
 - PLATING OF CONTACT:
UNDER PLATING:Nickel ALL OVER
CONTACT AREA:GOLD FLASH
SOLDERING AREA:Sn
 - PART MUST COMPLY TAISOL GPWD-02-1-200 SPECIFICATION
 - EJECT FORCE:4.0kgf MAX
 - CARD EJECT:6mm
 - PUSH BUTTON COLOR:BLACK
 - PRODUCT PACKING:P-1A901

TDLERENCE TABLE	
.X	± 0.38
.XX	± 0.25
.XXX	± 0.10
ANGLE	± 2°

Nurnber of old Base Map				MKIC-01-68P							
Nurnber of Base Map											
Sign	Place Number	Changed document number	Signer	Date	Design Mark	Weight	Proportion	ZHEJIANG ZUABNAO ELECTRONIC Co.,Ltd.			
Designer	Standar-ization			A	B						
Verifier	Approved			1 piece together		the first piece					
Date	Signer	Technology	Date	2008.03.31							