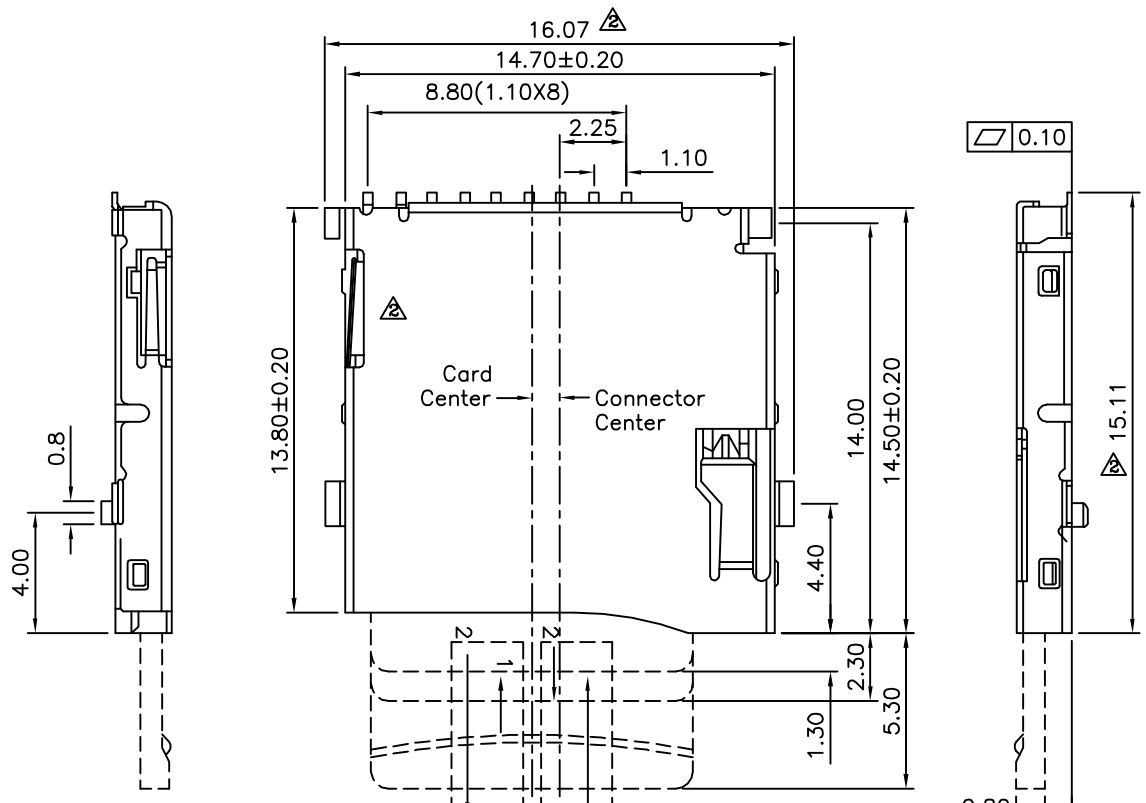
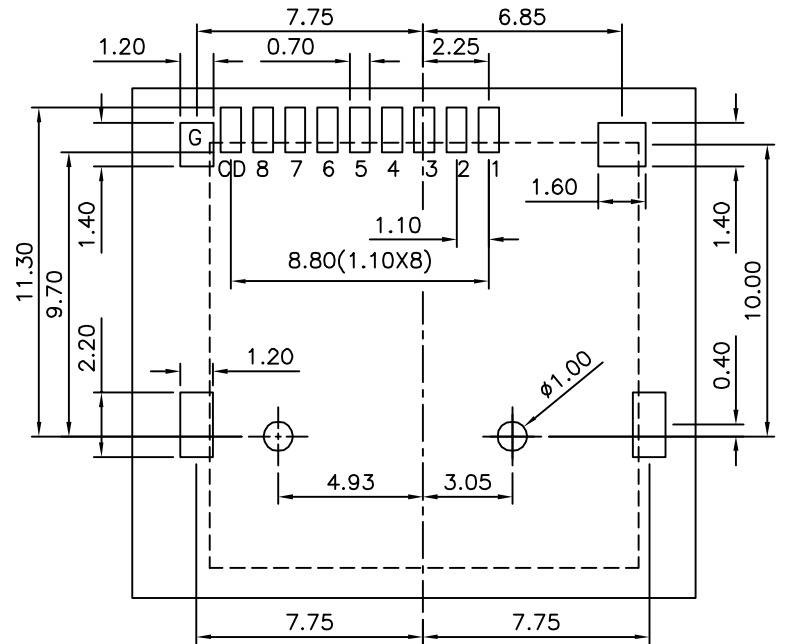
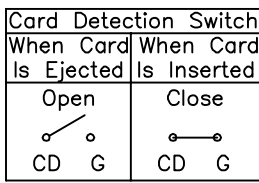
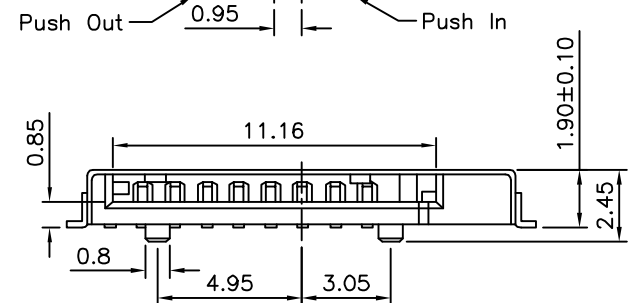


**△ SPECIFICATION**

- 1.General Characteristics**  
 T-Flash Connector 08Pin SMT 90° Standoff=0  
 Normal Push Push Type Rear Solder Tail Shell Tab  
 Gold Flash Tape&Reel 1K/Reel
- 2.Material&Finish**  
 Insulator:LCP+30%G.F.(UL94V-0),Black  
 △ Contact:C5191  
 Gold Plated On Contact Area,Tin Plated  
 On Solder Tails,Under Nickel
- △ Shell:SUS301,1/2H,Nickel Plated  
 Gold Flash On Shell Tab
- △ 3.Electrical Characteristics**  
 △ Current Rating:0.5A Max. DC  
 Voltage Rating:100V Max. DC  
 Dielectric Withstanding Voltage:500V AC/Minute  
 Contact Resistance:100 Milliohms Max.  
 Insulation Resistance:1000 Megaohms Min. At 500V DC
- 4.Environmental Characteristics**  
 Operation Temperature: -40°C~+85°C  
 (Humidity Range 85% RH Max.)
- 5.Mechanical Characteristics**  
 Durability:5000 Cycles
- 6.RoHS Compliant**



Pin Number	Pin Assigment
1	DAT2
2	CD/DAT3
3	CMD
4	VDD
5	CLK
6	VSS
7	DAT0
8	DAT1
CD	Card Detection
G	Ground

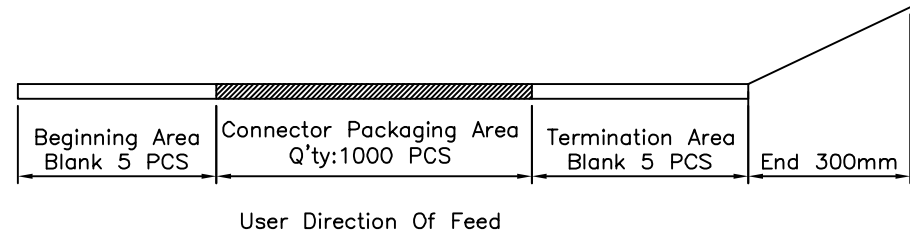
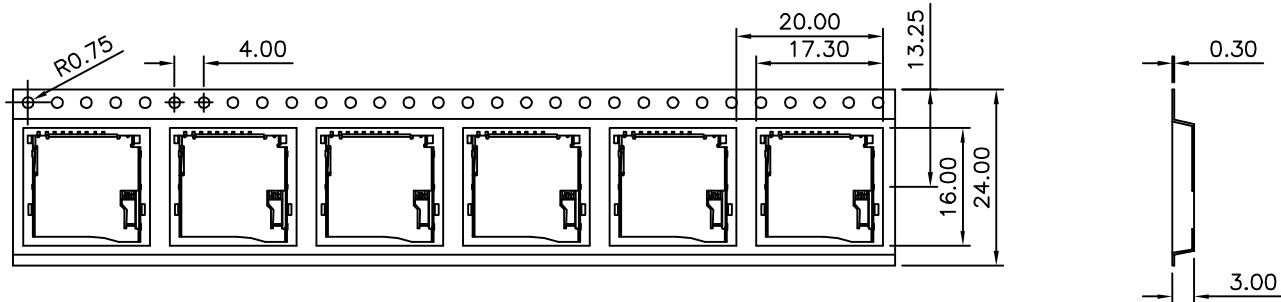


Recommended P.C.B. Layout

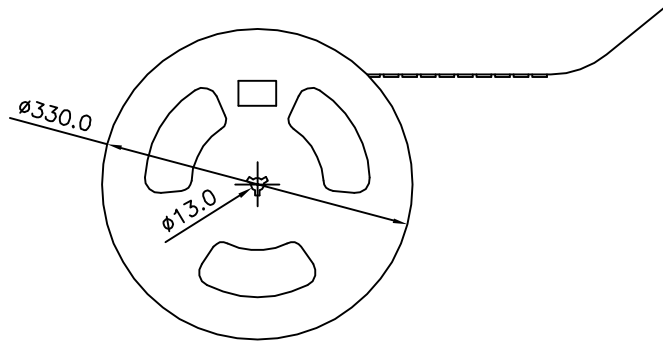
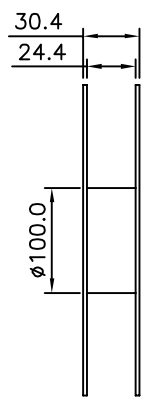
**AUK** A MEMBER OF AUK GROUP  
**太聯事業股份有限公司**  
**AUK CONTRACTORS CO., LTD.**

CATEGORY		APPROVED BY		UNLESS OTHERWISE SPECIFIED TOLERANCES ARE △ .X ±0.25 △ .XX ±0.20 △ .XXX ±0.10 ANG. ±2.0°	NO. REV.		REVISIONS		CHK DATE	
PART No.	TFC08WP01F-A-R1K-H	MEI			△ A4	Modify Spec.	HZF	05/21/2012		
DRAWING No.	TFC08WP01F-A-R1K-H	HZF			△ A3	Modify Spec.	HZF	05/15/2012		
SCALE	NONE	REV.	A4		△ A2	Modify Data	HZF	05/16/2011		
		DRAWING BY		△ A1	Modify Data	HZF	08/10/2010			
		SONG		△ A0	NEW RELEASE	HZF	02/02/2010			
		UNIT mm								

**SPECIFICATION**  
 Q'ty:1000 PCS/Reel  
 Reel:PVC,Size:φ330X30.4  
 Tape:PVC,Size:20200X24.00X3.0mm  
 RoHS Compliant



- TFC 08 W P 0 1 F - A - R1K - H  
 (1) (2) (3) (4) (5) (6) (7) (8) (9) (10)
- (1) TFC:T-Flash Connector
  - (2) 08:No. Of Position
  - (3) W:SMT Right Angle
  - (4) P:Push-Push Type
  - (5) 0:Standoff 0mm
  - (6) 1:Normal Type
  - (7) F:Rear Solder Tail
  - (8) A:Shell Tab Gold Flash
  - (9) R1K:Tape & Reel 1000 PCS/Reel
  - (10) H:RoHS Compliant



**AUK** A MEMBER OF AUK GROUP  
**太聯事業股份有限公司**  
**AUK CONTRACTORS CO., LTD.**

CATEGORY		APPROVED BY MEI		UNLESS OTHERWISE SPECIFIED TOLERANCES ARE △ .X ±0.25 △ .XX ±0.20 △ .XXX ±0.10 ANG. ±2.0°	△ A4	Modify Spec.	HZF	05/21/2012
PART No. TFC08WP01F-A-R1K-H		CHECKED BY HZF			△ A3	Modify Spec.	HZF	05/15/2012
DRAWING No. TFC08WP01F-A-R1K-H		DRAWING BY SONG			△ A2	Modify Data	HZF	05/16/2011
SCALE NONE		REV. A4			△ A1	Modify Data	HZF	08/10/2010
				UNIT mm	△ A0	NEW RELEASE	HZF	02/02/2010
				NO. REV.	REVISIONS		CHK	DATE