

SPECIFICATION

1.General Characteristics

T-Flash Connector 08 Pin SMT 90° Standoff=0
Normal Type Hinge Type Gold Plated XXu" On
Contact Area And Gold Flash On Other Area
Tape & Reel 800 PCS/Reel

2.Material&Finish

④	Peg	Copper Alloy	Tin Plated
③	Shell	SUS	Nature
②	Contact	Copper Alloy	—
①	Housing	LCP	Black,UL94V-0
NO.	Description	Material	Finish

△ 3.Electrical Characteristics

Current Rating:0.5A Max. DC
Voltage Rating:100V Max. DC
Contact Resistance:100 Milliohms Max.
Insulation Resistance:1000 Megohms Min.
Withstanding Voltage:500V AC/Minute

4.Mechanical Characteristics

Durability(Mating Cycles):1000 Cycles Min.

5.Environmental Characteristics

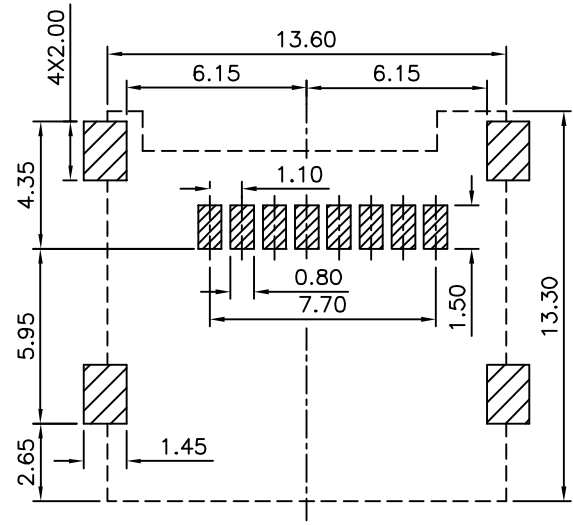
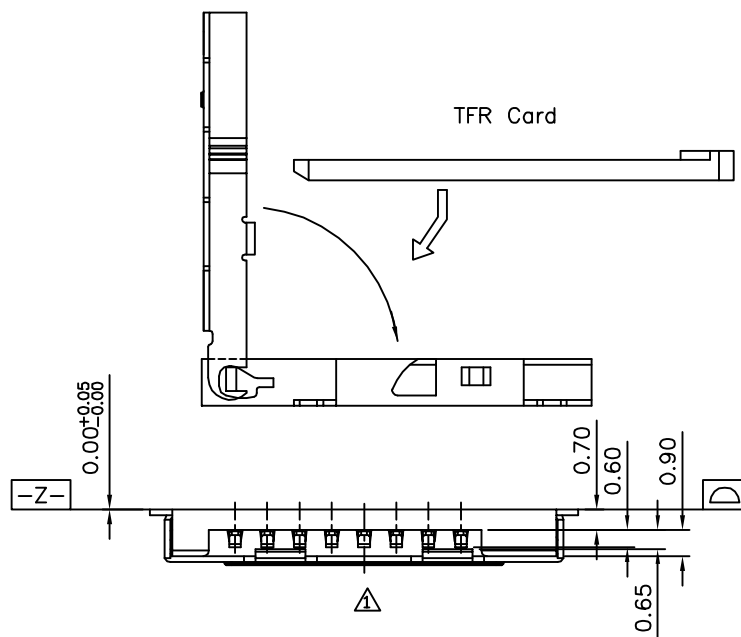
Operation Temperature:-40°C~+85°C

6.RoHS Compliant

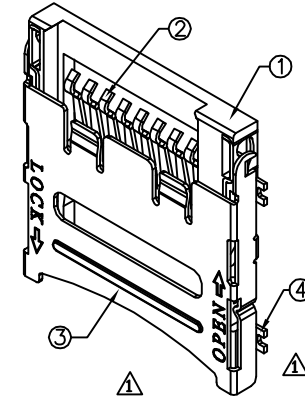
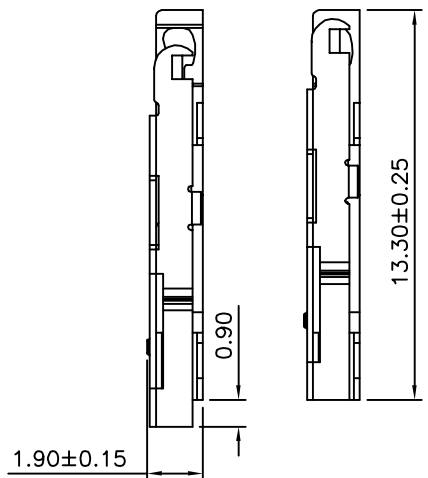
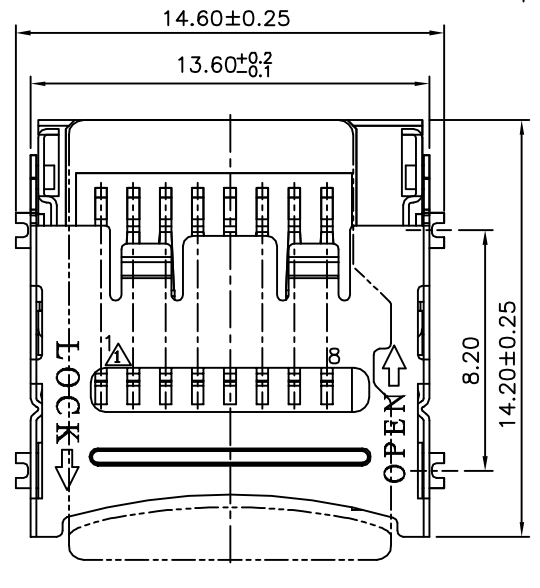
TFC	08	W	0	1	HC	PXX	R8H	H
(1)	(2)	(3)	(4)	(5)	(6)	(7)	(8)	(9)

- (1) TFC:T-Flash Connector
- (2) 08:No. Of Position
- (3) W:SMT Right Angle
- (4) 0:Standoff 0mm
- (5) 1:Normal Type
- (6) HC:Hinge Type
- (7) PXX>Contact Finish
P03:Gold Plated 3u" On Contact Area,Gold
Flash On Other Area,Over Nickel
- (8) R8H:Tape & Reel 800 PCS/Reel
- (9) H:RoHS Compliant

Pin No.	Name	Type	Description
1	DAT2	I/O/PP	Data Line [Bit 2]
2	CD/DAT3	I/O/PP	Card Detect Data Line [Bit 3]
3	CMD	PP	Command Response
4	VDD	S	Supply Voltage
5	CLK	I	Clock
6	VSS	S	Supply Voltage Ground
7	DAT0	I/O/PP	Data Line[Bit 0]
8	DAT1	I/O/PP	Data Line[Bit 1]



△ Recommended P.C.B. Layout(Top View)
(Tolerance=±0.05)



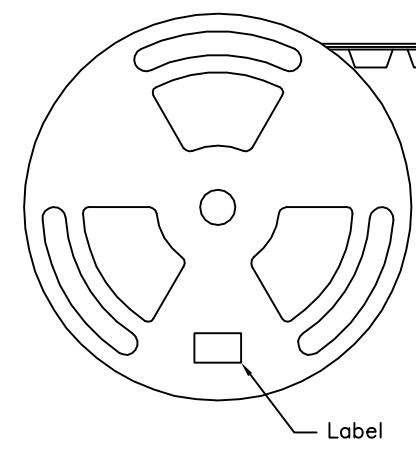
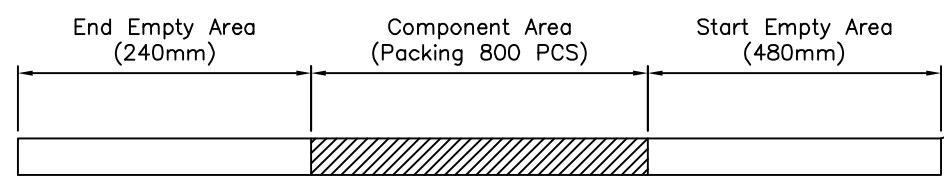
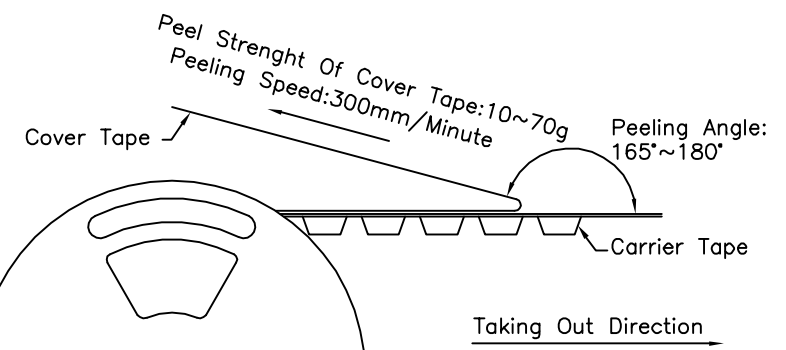
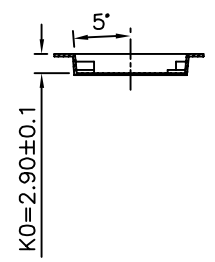
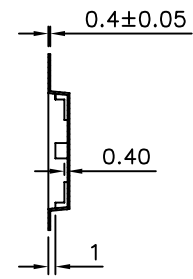
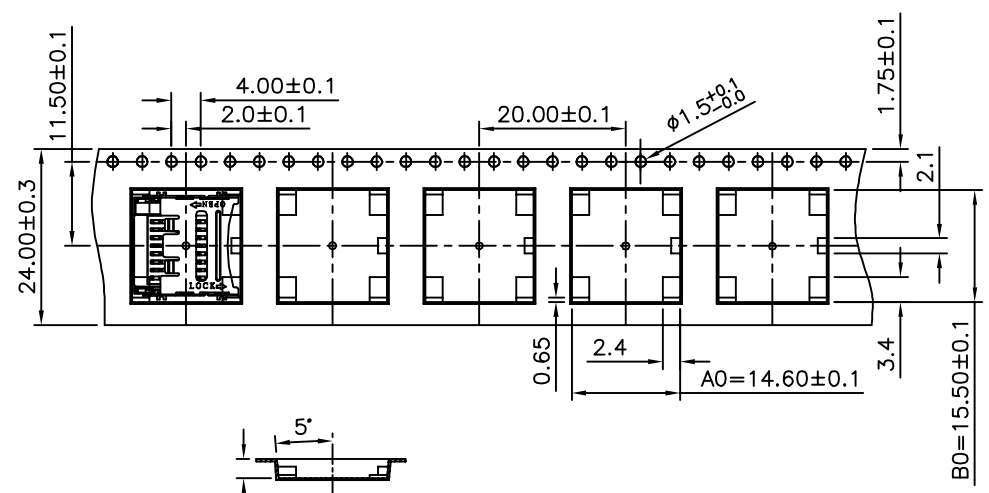
AUK A MEMBER OF AUK GROUP
太聯事業股份有限公司
AUK CONTRACTORS CO., LTD.

CATEGORY		APPROVED BY		UNLESS OTHERWISE SPECIFIED TOLERANCES ARE .X ±0.25 .XX ±0.20 .XXX ±0.10 ANG. ±2°
PART No.		MEI		
TFC08W01-HC-PXX-R8H-H		CHECKED BY		
DRAWING No.		HZF		
TFC08W01-HC-PXX-R8H-H		DRAWING BY		UNIT mm
SCALE		REV.		
NONE		A1		NO. REV.
REV.		A1		

△ A1	Modify Data	HZF	06/18/2012
△ A0	NEW RELEASE	HZF	09/01/2011
NO. REV.	REVISIONS	CHK	DATE

SPECIFICATION

- 1) 10 Sprocket Hole Pitch Cumulative Tolerance $\pm 0.20\text{mm}$
- 2) Carrier Camber Not To Exceed 1mm In 100mm
- 3) A0 And B0 Measured On A Plane 0.3mm Above The Bottom Of The Pocket
- 4) K0 Measured From A Plane On The Inside Bottom Of The Pocket To The Top Surface Of The Carrier
- 5) All Dimension Meet EIA-481-B Requirements
- 6) Material: Transparence Anti-Static Polystyrene
- 7) Packing Lenght Per 22" Reel: 61.8 Meters
- 8) Component Load Per 13" Reel: 800 PCS/16.8 Meters
RoHS Compliant



AUK A MEMBER OF AUK GROUP
太聯事業股份有限公司
AUK CONTRACTORS CO., LTD.

CATEGORY		APPROVED BY		UNLESS OTHERWISE SPECIFIED TOLERANCES ARE: 0.05 ±0.05 0.1 ±0.10 0.2 ±0.20 0.3 ±0.30 0.5 ±0.50 ANG. ±1°
PART No.		MEI		
TFC08W01-HC-PXX-R8H-H		CHECKED BY		
		HZF		
DRAWING No.		DRAWING BY		UNIT mm
TFC08W01-HC-PXX-R8H-H		SONG		
SCALE	NONE	REV.	A1	

NO.	REV.	REVISIONS	CHK	DATE
△	A1	Modify Data	HZF	06/18/2012
△	A0	NEW RELEASE	HZF	09/01/2011