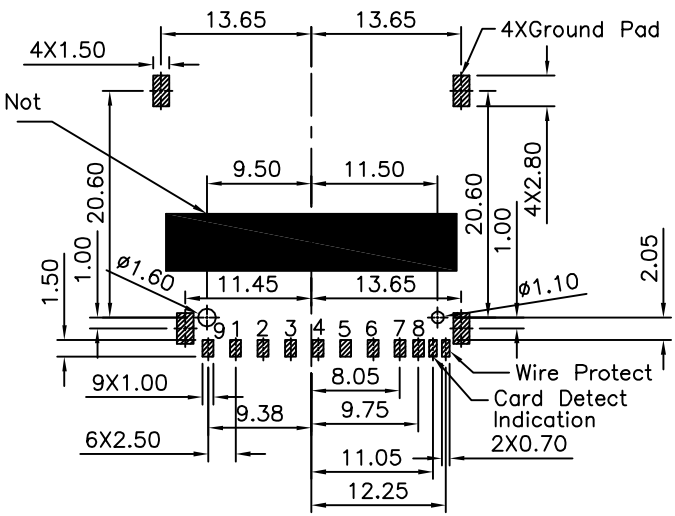
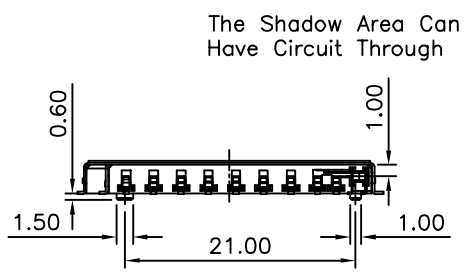


SPECIFICATION

1. **General Characteristics**
SD Card Connector 09P SMT 90° With Wire
Protect/With Card Detect Standoff 0mm Normal Type Selective Gold Flash
2. **Material&Finish**
⚠ Insulator:LCP(UL94V-0)
Contact:Phosphor Bronze
Gold Flash On Contact Area,
Tin Plated On Solder Tails,Over Nickel
Shell:Brass,Nickel Plated
3. **Electrical Characteristics**
Current Rating:1 Amp Max.
Operation Voltage:100V AC Max.
Contact Resistance:100 Milliohms Max.
Insulation Resistance:1000 Megaohms Min. At 500V DC
Dielectric Withstand Voltage:500V AC/Minute
4. **Mechanical Characteristics**
Total Mating Force:40N Max. At 25mm/Minute
Total Unmating Force:2N Min. At 25mm/Minute
Single Pin Retention Force:3N Min. At 25mm/Minute
Durability:10000 Cycles
5. **Environmental Characteristics**
⚠ Operation Temperature:-40°C~+60°C
Storage Temperature:-40°C~+70°C
6. **RoHS Compliant**

| Pin No. | Name |
|-----------|------|
| SD&MMC #1 | DAT3 |
| SD&MMC #2 | CMD |
| SD&MMC #3 | GND |
| SD&MMC #4 | VCC |
| SD&MMC #5 | CLK |
| SD&MMC #6 | GND |
| SD&MMC #7 | DAT0 |
| SD&MMC #8 | DAT1 |
| SD&MMC #9 | DAT2 |



⚠ Recommended P.C.B. Layout(Top View)

SDC 09 W 00 1 - XX - H
(1) (2) (3) (4) (5) (6) (7)

- (1) SDC:SD Card Connector
- (2) 09:No. Of Position
- (3) W:SMT Right Angle
- (4) 00:Standoff 0mm
- (5) 1:Normal Type
- (6) XX:Insulator Color
Blank:Black
BE:Beige
- (7) H:RoHS Compliant

AUK A MEMBER OF AUK GROUP
太聯事業股份有限公司
AUK CONTRACTORS CO., LTD.

| | | | | |
|-------------------------------|------|-------------|--|--------------------------------------------------------------|
| CATEGORY | | APPROVED BY | | UNLESS OTHERWISE SPECIFIED TOLERANCES ARE |
| PART No. SDC09W001-XX-H | | MEI | | |
| DRAWING No. SDC09W001-XX-H | | CHECKED BY | | X. ±0.50 X.* ±5% .X ±0.25 .X.* ±2% .XX ±0.15 .XX.* ±1% |
| SCALE | | DRAWING BY | | |
| NONE | REV. | A1 | | UNIT mm |

| | | | | |
|------|------|-------------|-----|------------|
| NO. | REV. | REVISIONS | CHK | DATE |
| ⚠ A1 | | Modify Data | HZF | 05/09/2013 |
| ⚠ A0 | | NEW RELEASE | HZF | 04/16/2012 |