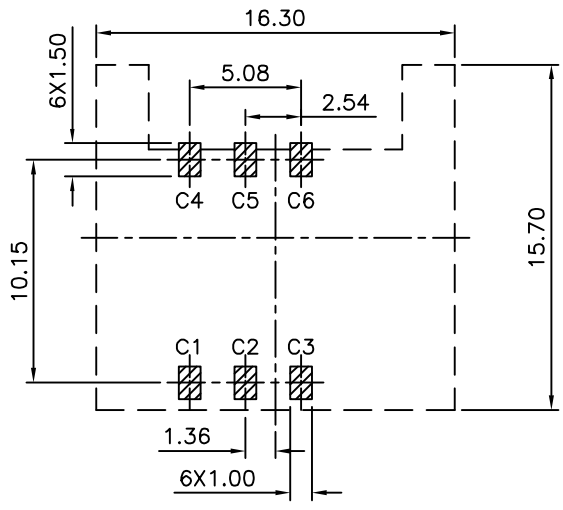
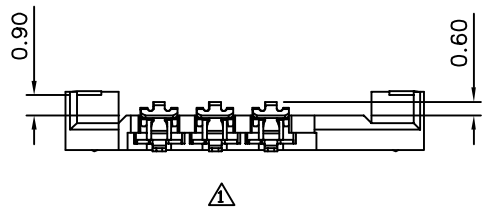
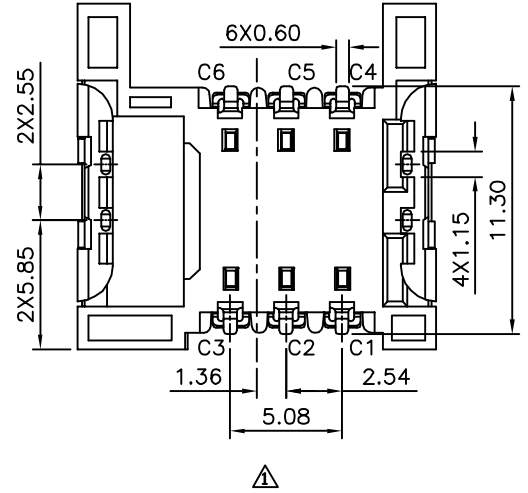
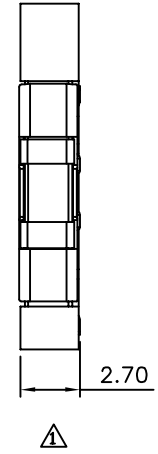
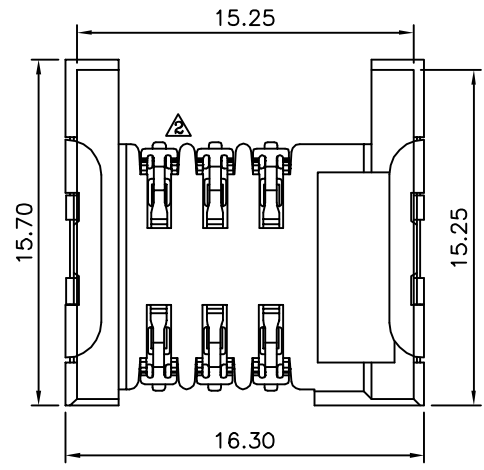
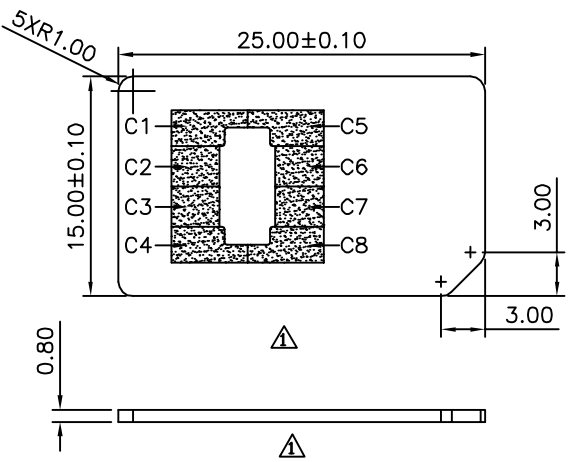


△ SPECIFICATION

- △ 1.General Characteristics**
Smart/SIM Card Slide In Type 06P SMT 90°
Without Locating Peg Without Switch Row
Pitch=X Type H=2.7mm Gold Flash Tape &
Reel 900 PCS/Reel
- 2.Material&Finish**
Housing:LCP(UL94V-0),Black
Contact:C5191,Gold Flash Over All,
Over Nickel
- △ Shell:SUS304,No Plated**
- 3.Electrical Characteristics**
Current Rating:0.50mA
Voltage Rating:30V AC
Contact Resistance:30 Milliohms Max.
Insulation Resistance:1000 Megaohms Min.
Dielectric Voltage:500V AC/Minute
- 4.Environmental Characteristics**
Operating Temperature:-20°C~+85°C
- 5.RoHS Compliant**

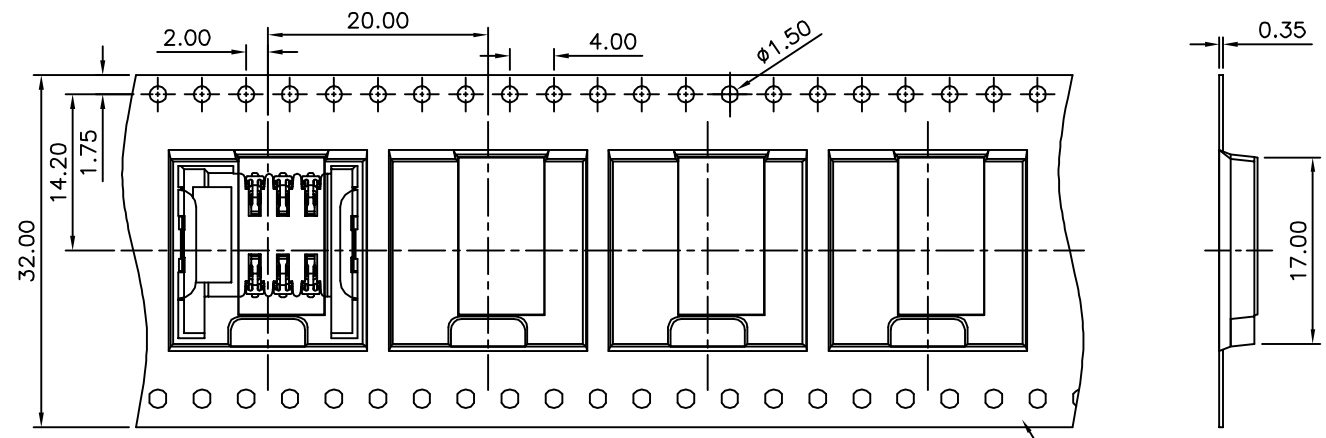


△△ Recommended P.C.B. Layout
General Tolerance:±0.05



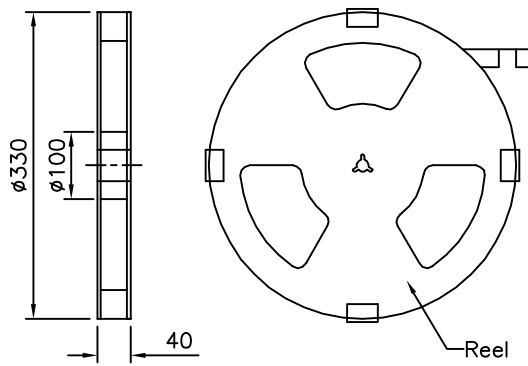
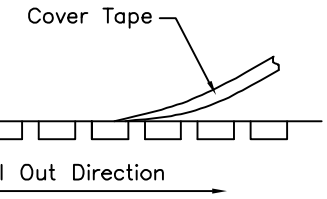
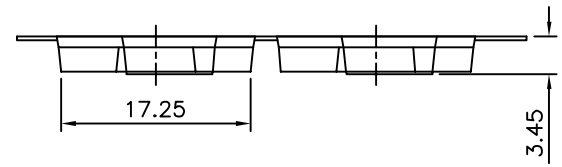
- △△ SC U - W 06 X 27 - G020 C - R9H - H**
(1) (2) (3) (4) (5) (6) (7) (8) (9) (10)
- (1) SC:Smart Card/SIM Card
 - (2) U:Slide In Type
 - (3) W:SMT Right Angle
 - (4) 06:No. Of Position
 - (5) X:Row Pitch=X Type
 - (6) 27:Base Height 2.7mm
 - (7) G020:Gold Flash Over All,Over Nickel
 - (8) C:Without Post & Switch
 - (9) R9H:Tape & Reel 900 PCS/Reel
 - (10) H:RoHS Compliant

CATEGORY	APPROVED BY	UNLESS OTHERWISE SPECIFIED TOLERANCES ARE			
PART No. △△ SCU-W06X27-G020C-R9H-H	MEI	△ X. ±0.25 X.* ±3.0° .X ±0.20 .X* ±2.5° .XX ±0.15 .XX* ±2.0° .XXX ±0.10 .XXX* ±1.5°	△ B3	Modify P/N:SCU-W06X27-G020C-H --> SCU-W06X27-G020C-R9H-H	HZF 09/09/2014
DRAWING No. △△ SCU-W06X27-G020C-R9H-H	CHECKED BY HZF		△ B2	Modify Data	HZF 11/14/2013
SCALE NONE	DRAWING BY SONG		△ B1	Modify P/N:SCU-W06X27-G020C-H --> SCU-W06X27-G020C-H	HZF 06/21/2012
REV. B3	UNIT mm	△ B0	NEW RELEASE	INGRID 02/20/2008	
		NO.REV.	REVISIONS	CHK	DATE

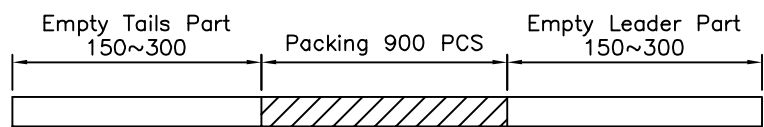


SPECIFICATION
 Q'ty:900 PCS/Reel
 Carrier Tape Size:32mmX20600mm
 Cover Tape Size:25.5mmX20600mm
 RoHS Compliant

Pull Out Direction



Pull Out Direction



AUK A MEMBER OF AUK GROUP
太聯事業股份有限公司
AUK CONTRACTORS CO., LTD.

CATEGORY		APPROVED BY		UNLESS OTHERWISE SPECIFIED TOLERANCES ARE	NO.	REV.	REVISIONS	CHK	DATE
PART No. SCU-W06X27-G020C-R9H-H		MEI							
DRAWING No. SCU-W06X27-G020C-R9H-H		CHECKED BY		X. ±0.25 X.* ±3.0° .X ±0.20 .X* ±2.5° .XX ±0.15 .XX* ±2.0° .XXX ±0.10 .XXX* ±1.5°	B2	B1	HZF	HZF	11/14/2013
SCALE NONE		DRAWING BY							
REV. B3		SONG		UNIT mm	B0	NEW RELEASE		INGRID	02/20/2008