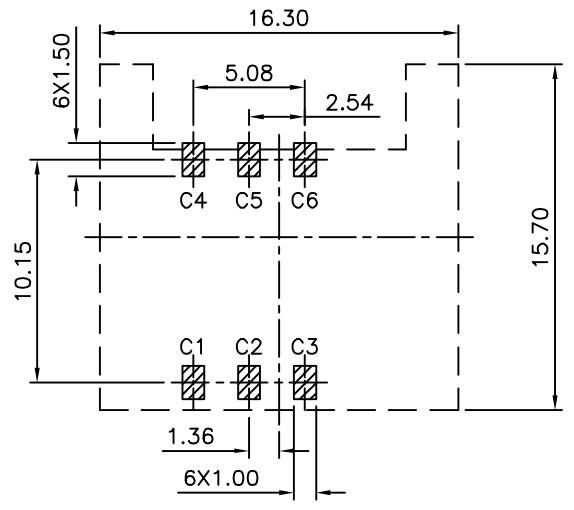
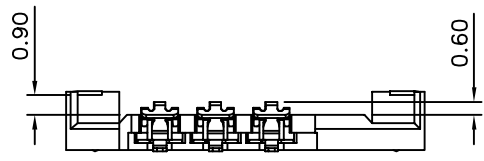
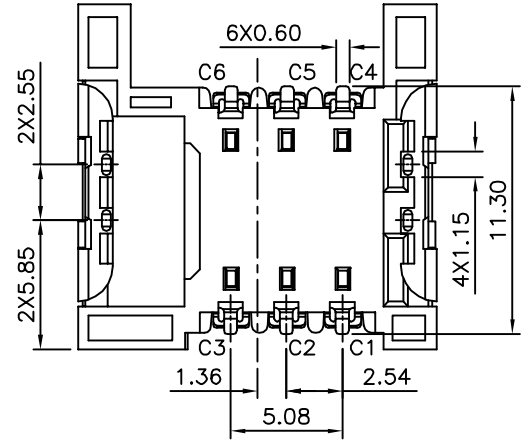
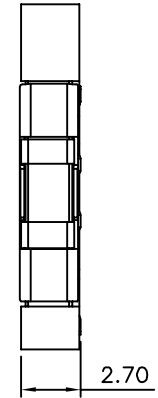
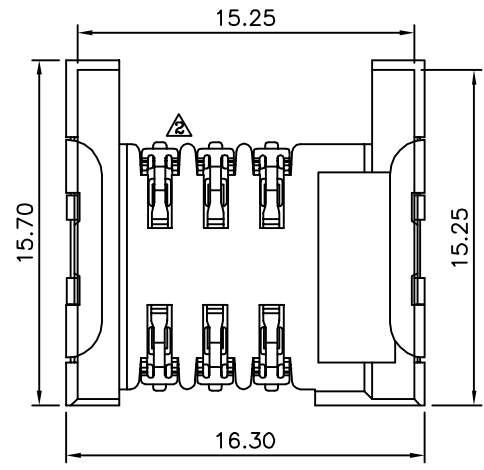


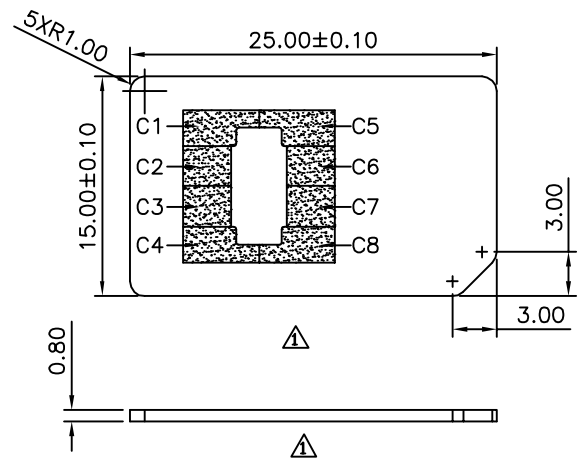
△ SPECIFICATION

1. General Characteristics
Smart/SIM Card Slide In Type 06P SMT 90° Without Locating Peg Without Switch H=2.7 Row Pitch=X Type,Gold Flash
2. Material&Finish
Housing:LCP(UL94V-0),Black
Contact:C5191,Gold Flash Over All, Over Nickel
- △ Shell:SUS304,No Plated
3. Electrical Characteristics
Current Rating:0.50 mA
Voltage Rating:30V AC
Contact Resistance:30 Milliohms Max.
Insulation Resistance:1000 Megaohms Min.
Dielectric Voltage:500V AC/Minute
4. Environmental Characteristics
Operating Temperature:-20°C~+85°C
5. RoHS Compliant

- △ SC U - W 06 X 27 - G020 C - H
- (1) (2) (3) (4) (5) (6) (7) (8) (9)
- (1) SC:Smart Card/SIM Card
 - (2) U:Slide In Type
 - (3) W:SMT Right Angle
 - (4) 06:No. Of Position
 - (5) X:Row Pitch=X Type
 - (6) 27:Base Height 2.7mm
 - (7) G020:Gold Flash Over All,Over Nickel
 - (8) C:Without Post & Switch
 - (9) H:RoHS Compliant



△△ Recommended P.C.B. Layout
General Tolerance:±0.05



AUK A MEMBER OF AUK GROUP
太聯事業股份有限公司
AUK CONTRACTORS CO., LTD.

CATEGORY		APPROVED BY		UNLESS OTHERWISE SPECIFIED TOLERANCES ARE △				
		MEI						
PART No. △		CHECKED BY		X. ±0.25 X.* ±3.0° .X ±0.20 .X* ±2.5° .XX ±0.15 .XX* ±2.0° .XXX ±0.10 .XXX* ±1.5°	△ B2	Modify Data	HZF	11/14/2013
SCU-W06X27-G020C-H		HZF			△ B1	Modify P/N:SCU-W06X27-G020C-H --> SCU-W06X27-G020C-H	HZF	06/21/2012
DRAWING No.		DRAWING BY		△ B0	NEW RELEASE	INGRID	02/20/2008	
SCU-W06X27-G020C-H		YBL		NO.REV.	REVISIONS	CHK	DATE	
SCALE	NONE	REV.	B2	UNIT	mm			