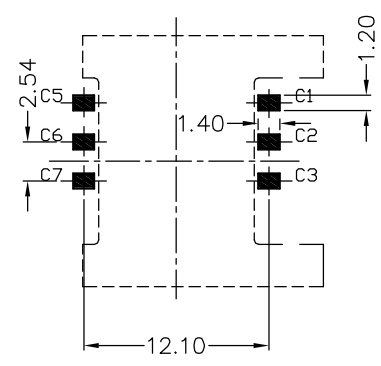
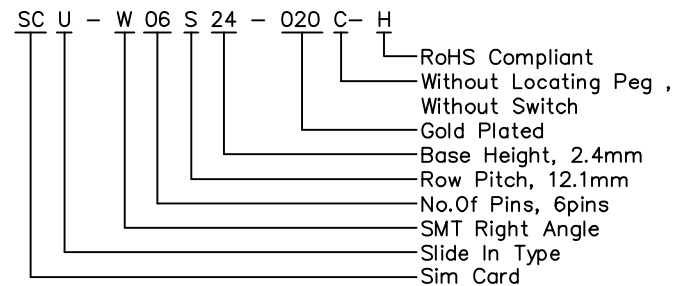


Specification

- General Characteristics :
 - Contact Principle : Friction Technology
 - Mounting System : SMT
 - Durability : 10,000 Cycles Min.
- Material
 - Data Contacts Material : Phosphor Bronze
 - Data Contacts Plating : Gold Over Nickel
 - Insulation Material : Thermoplastic UL 94V-0
- Electrical Characteristics
 - Contact Resistance : 50 Milliohms Max.
 - Insulator Resistance : >1000 Megohms/500V DC
- Solderability
 - Wave : Not Applicable
 - Vapor Phase : 215°C, 30 Sec. Max.
 - IR Reflow : 260°C, 15 Sec. Max.
 - Manual Soldering : 360°C, 3 Sec. Max.
- Environmental Characteristics
 - Operating Temperature : -40°C ~ +85°C
 - Operating Humidity : 10% ~ 95% RH
 - Storage Temperature : -40°C ~ +85°C
 - Storage Humidity : 10% ~ 95% RH
 - RoHS Compliant
 - Part No.:



CATEGORY Smart Card/Sim Card		APPROVED BY VIVIAN		UNLESS OTHERWISE SPECIFIED TOLERANCES ARE .X ±0.38 .XX ±0.25 ANG. ±1°
PART No. SCU-W06S24-020C-H		CHECKED BY LYS		
DRAWING No. SCU-W06S24-020C-H		DRAWING BY QXQ		
SCALE NONE	REV. A2			

NO.	REV.	REVISIONS	CHK	DATE
△2	A2	Marked △ Were Modified	QXQ	01/30/2013
△1	A1	Gold Or Pd → Gold Flash	MEI	05/12/2005
△0	A0	NEW RELEASE	XSH	04/23/2005